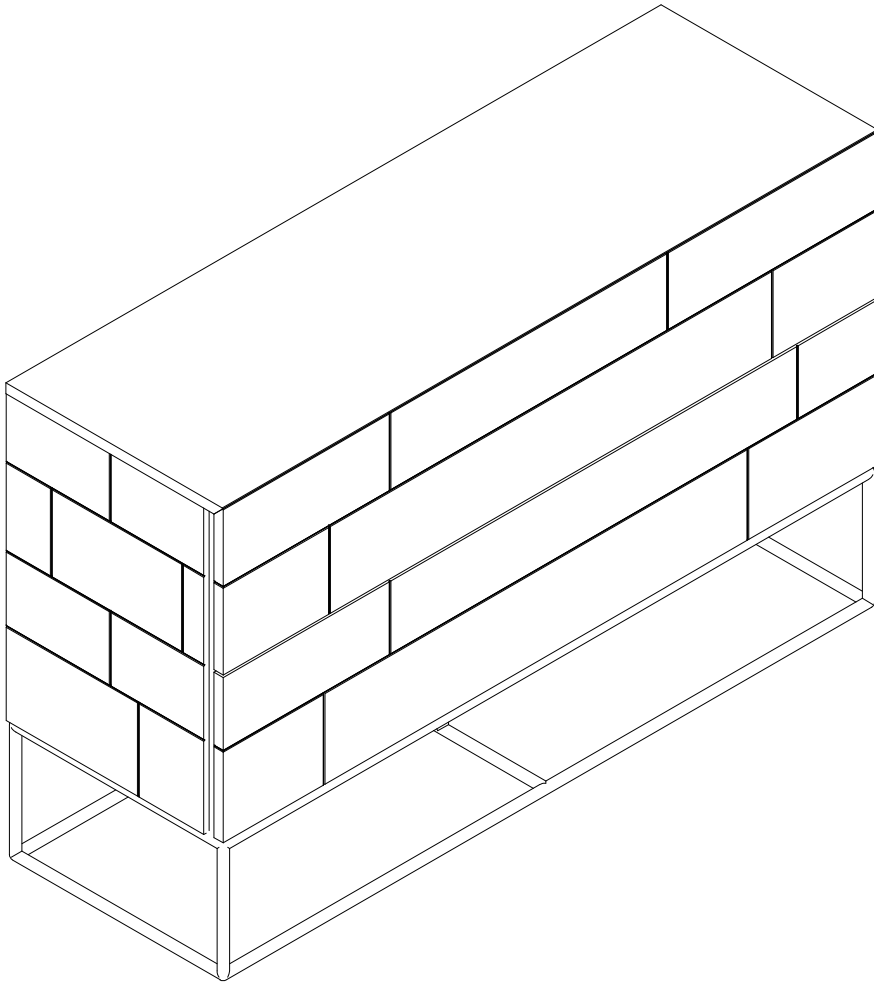
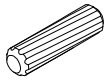
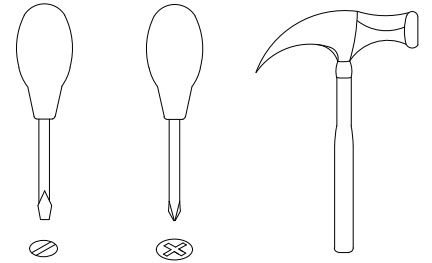
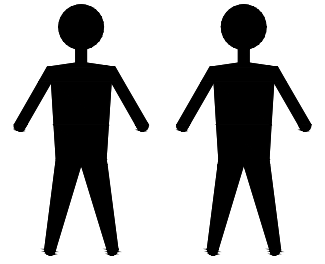


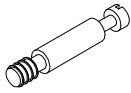
CP2021C



CP2021C



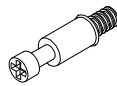
A x14
Spec: $\varnothing 8 * 30$



B x10
Spec: $\varnothing 7 * L30$



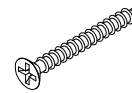
C x10
Spec: $\varnothing 15 * H12$



D x16
Spec: $\varnothing 6 * L28$



E x16
Spec: $\varnothing 12 * H9$



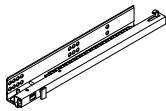
F x8
Spec: $\varnothing 3.5 * L35$



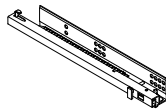
G x36
Spec: $\varnothing 6 * 30$



H x12
Spec: $\varnothing 6 * L8$



I x2
Spec: L350



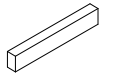
J x26
Spec:



K x2
Spec: 10g



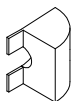
L x12
Spec: $3.8 * L16$



M x8
Spec: $30 * 5$



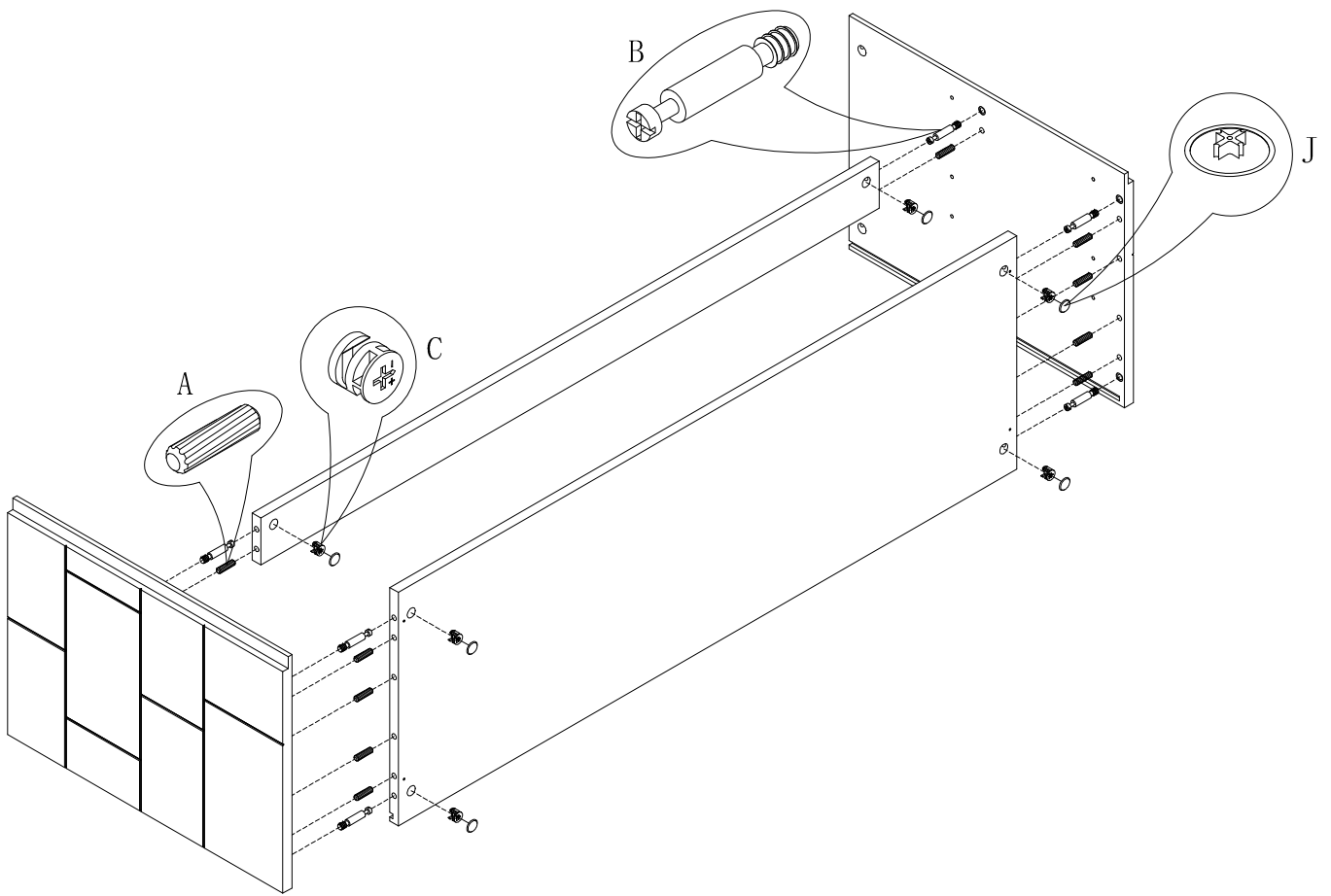
N x10
Spec: $\varnothing 3.5 * L16$



O x10
Spec: H13

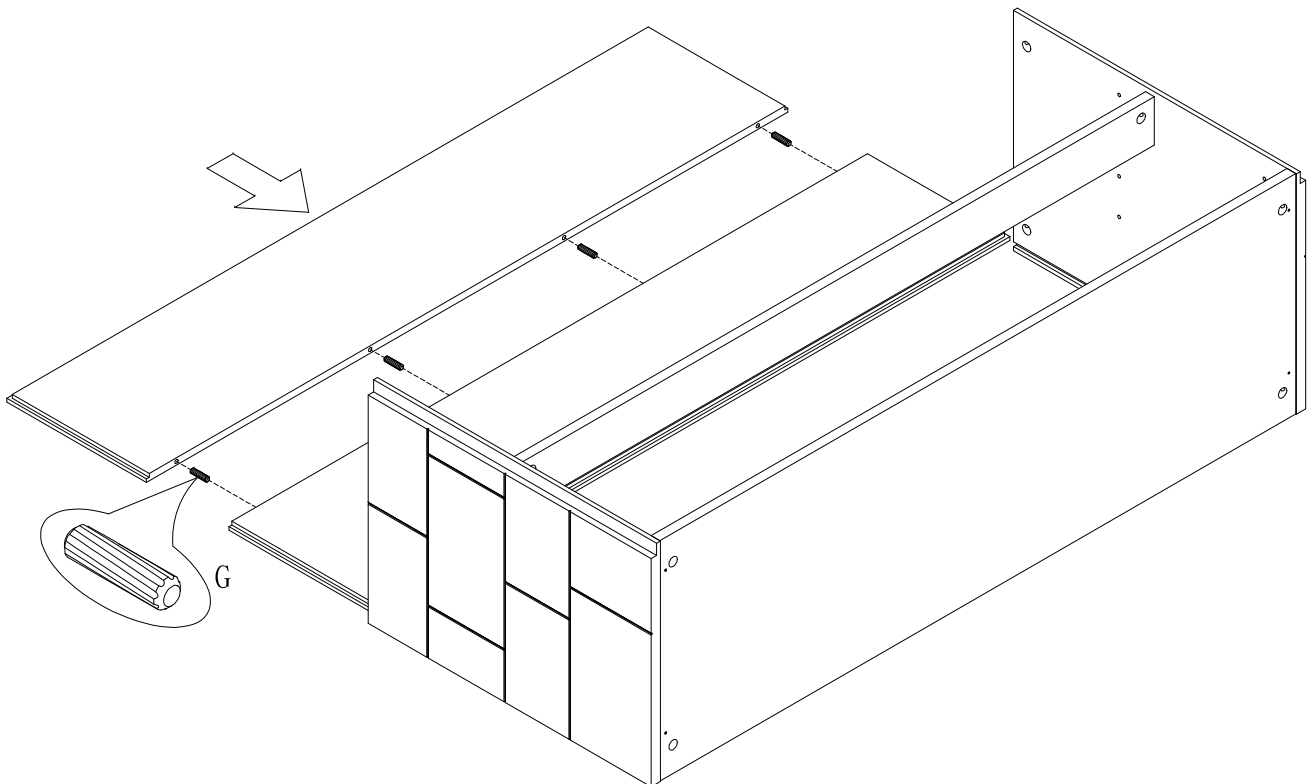


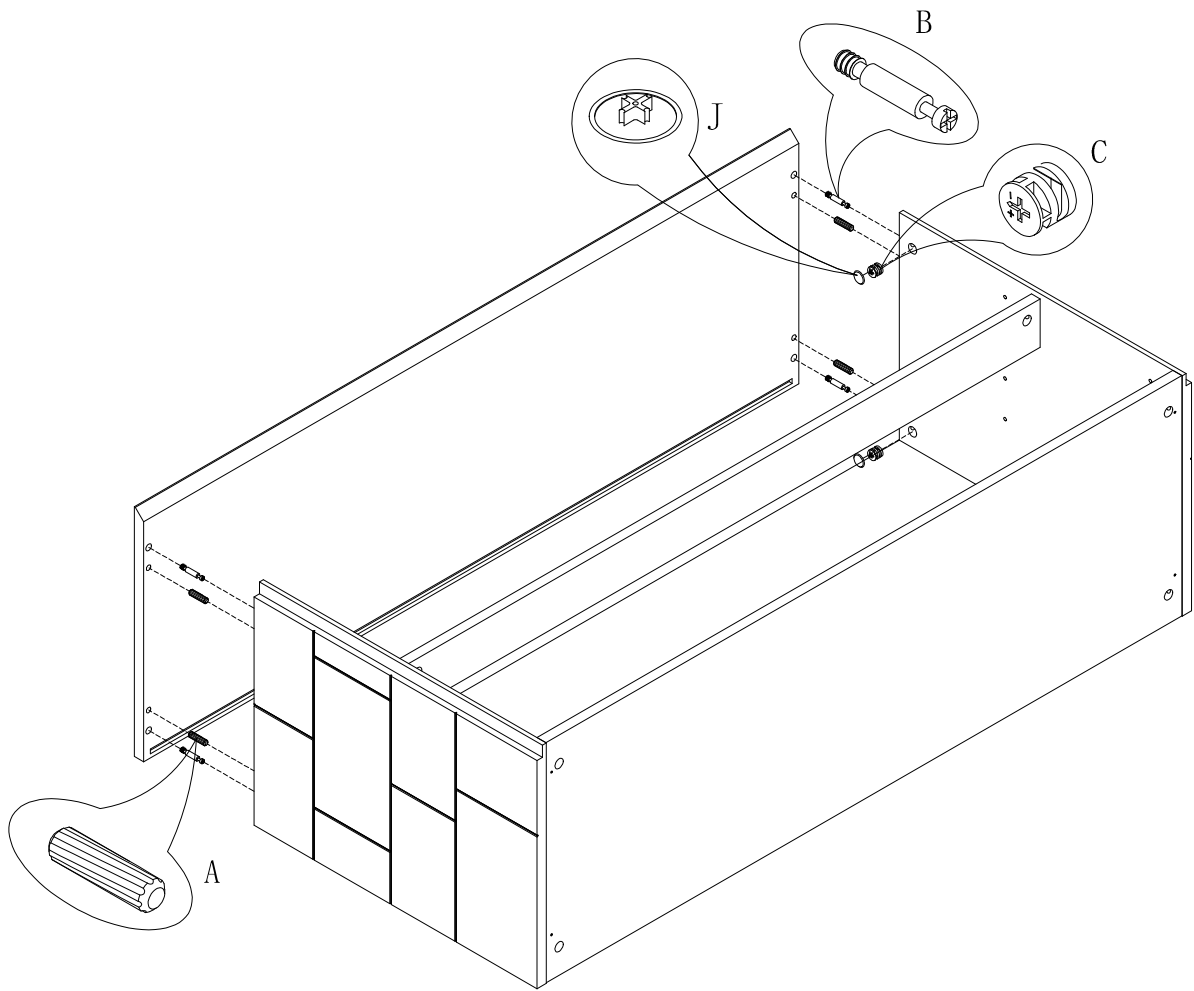
AAA x8
Spec: $\varnothing 3.8 * L12$



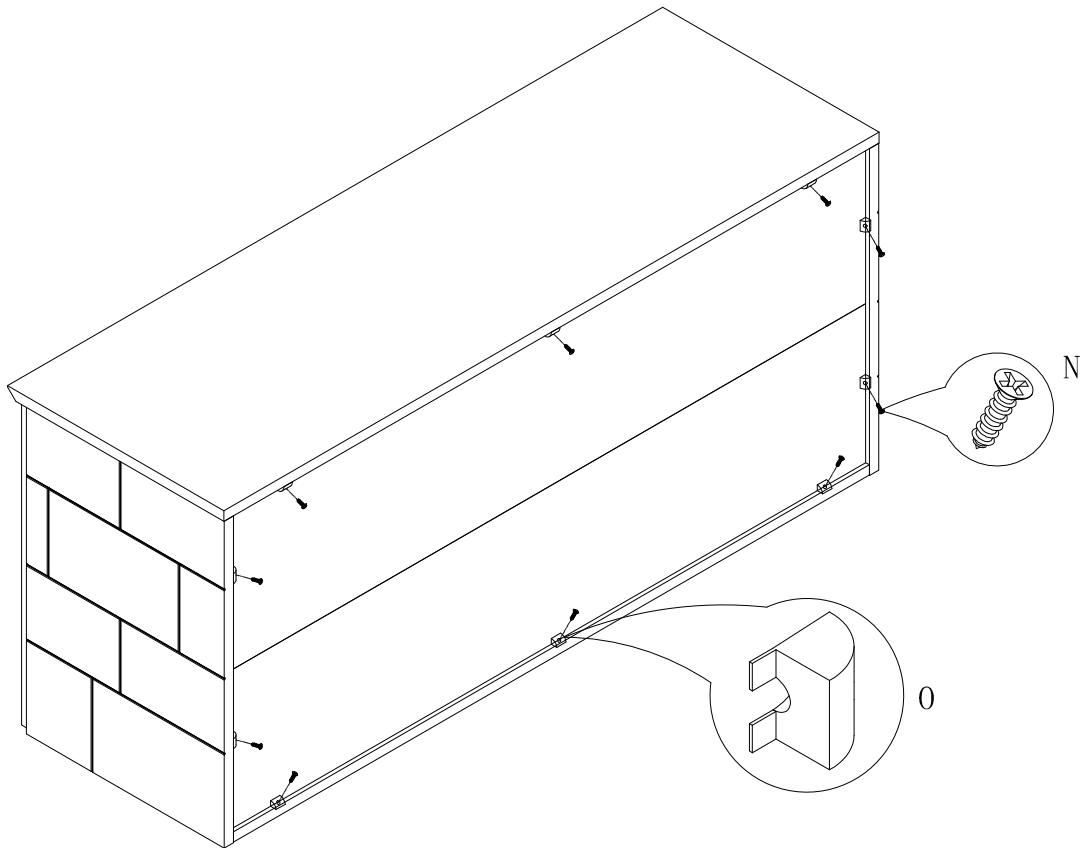
1

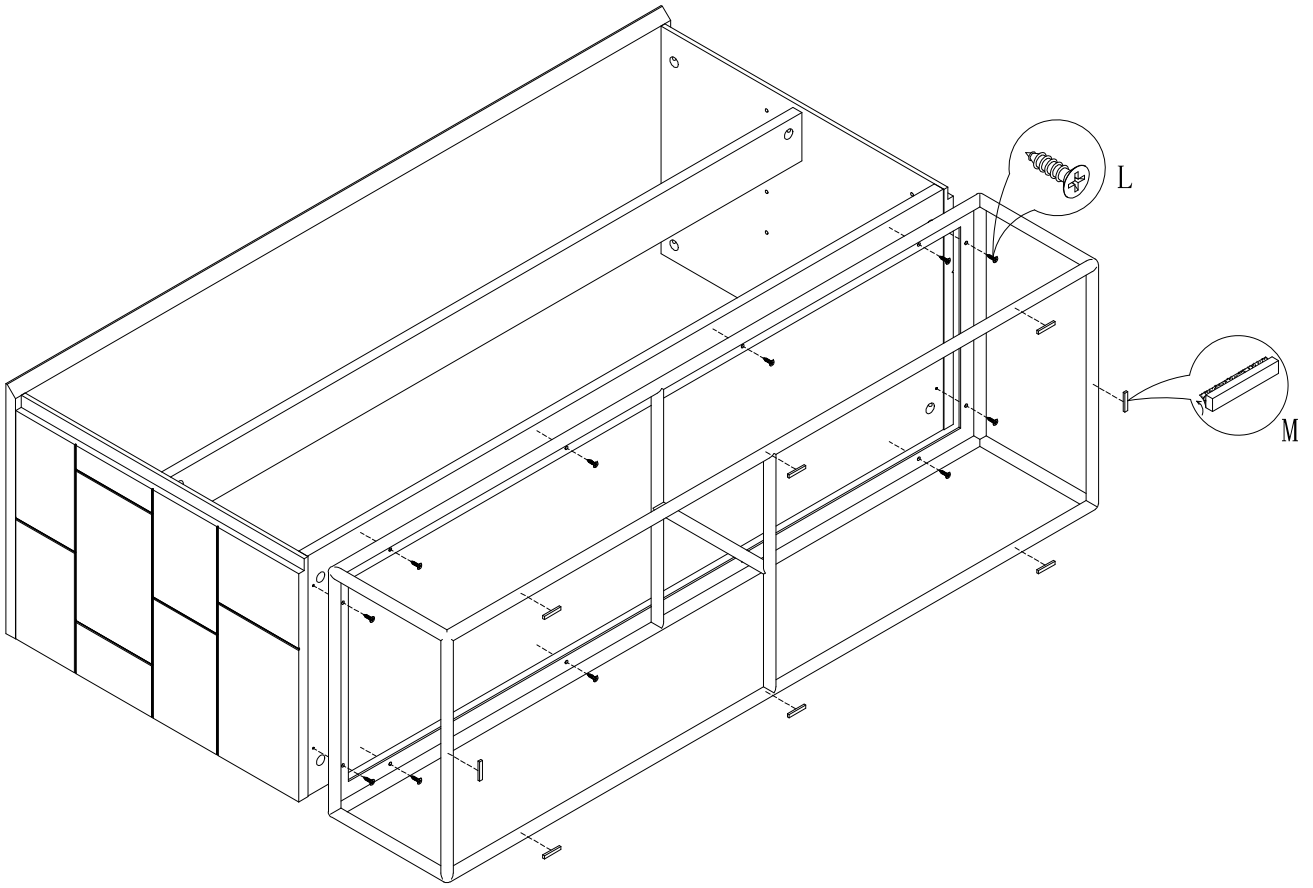
2





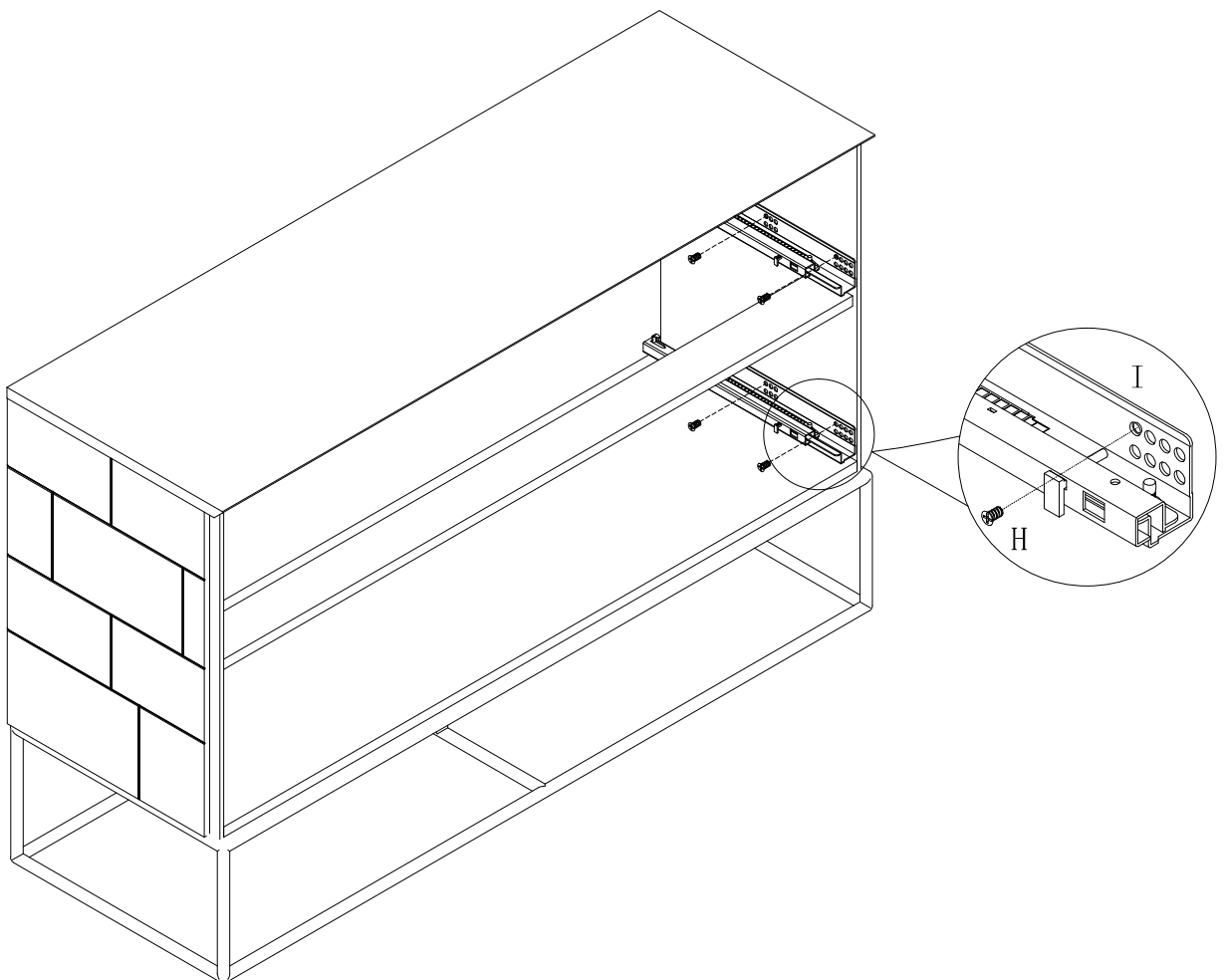
4

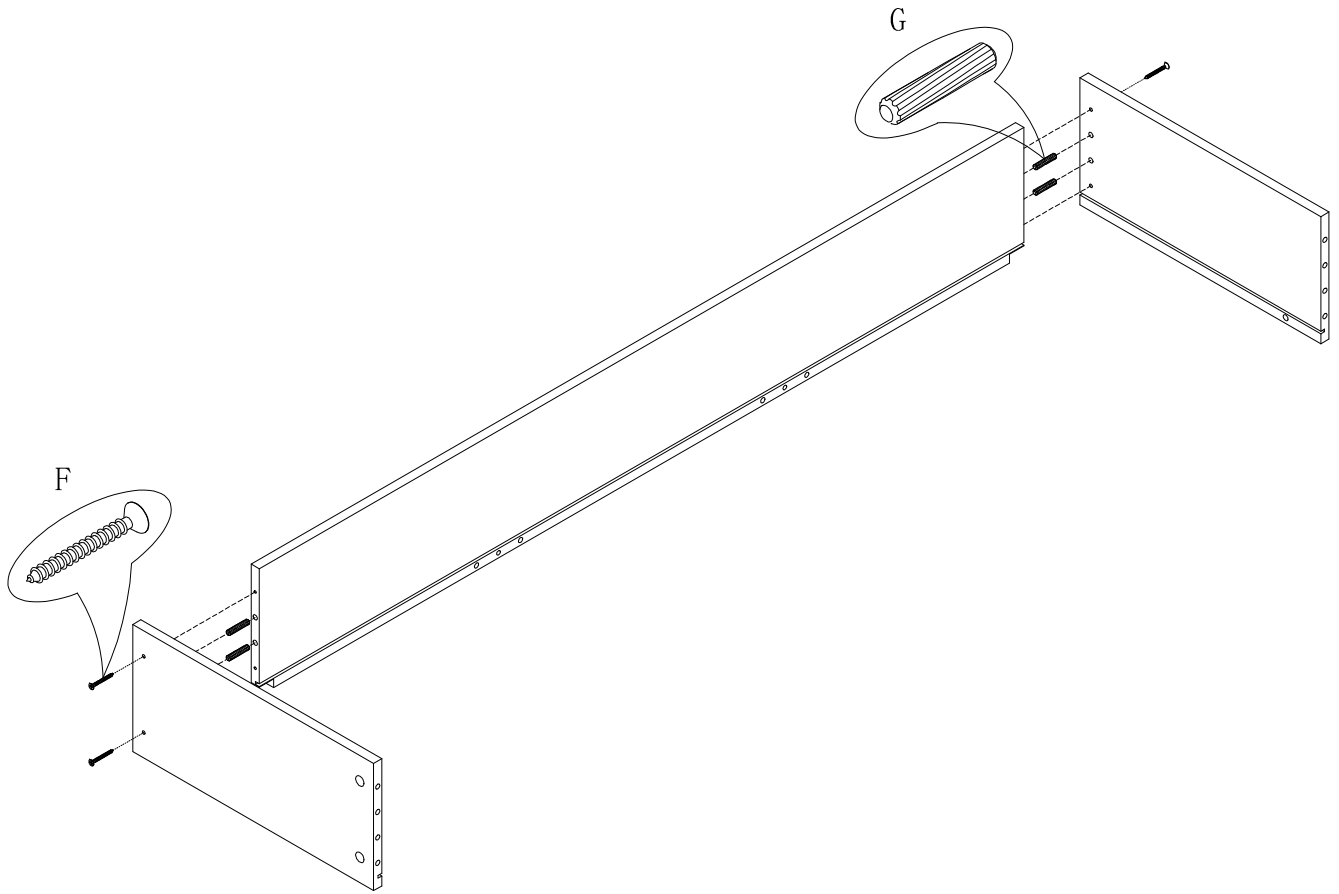




5

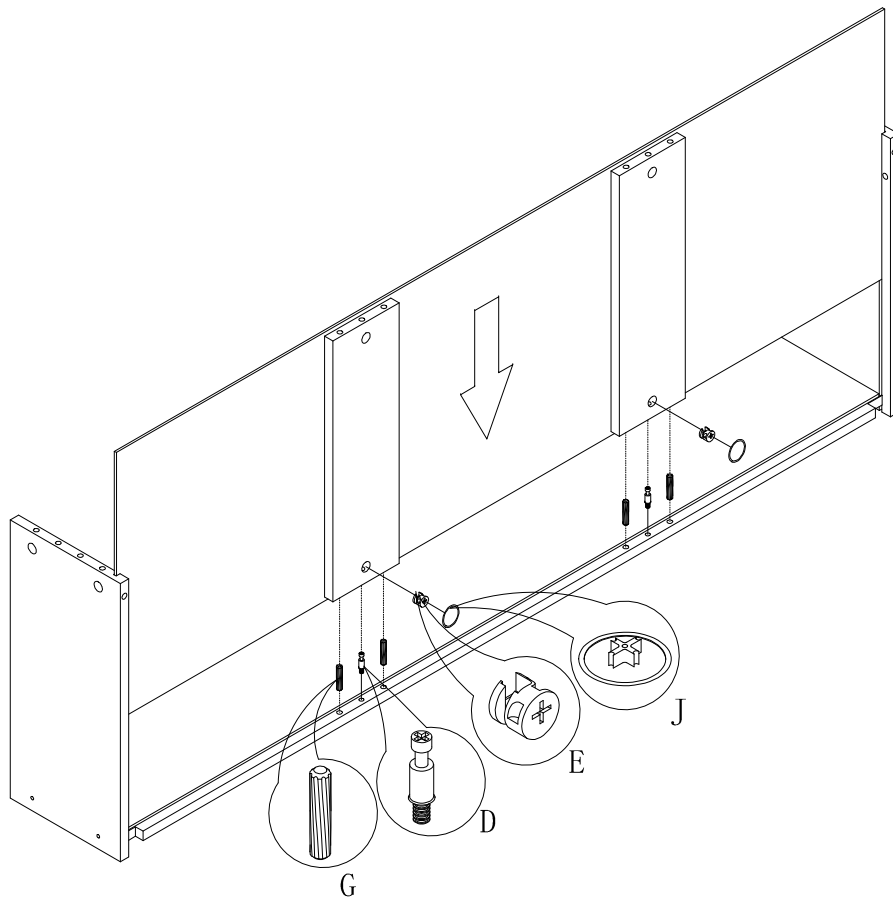
6

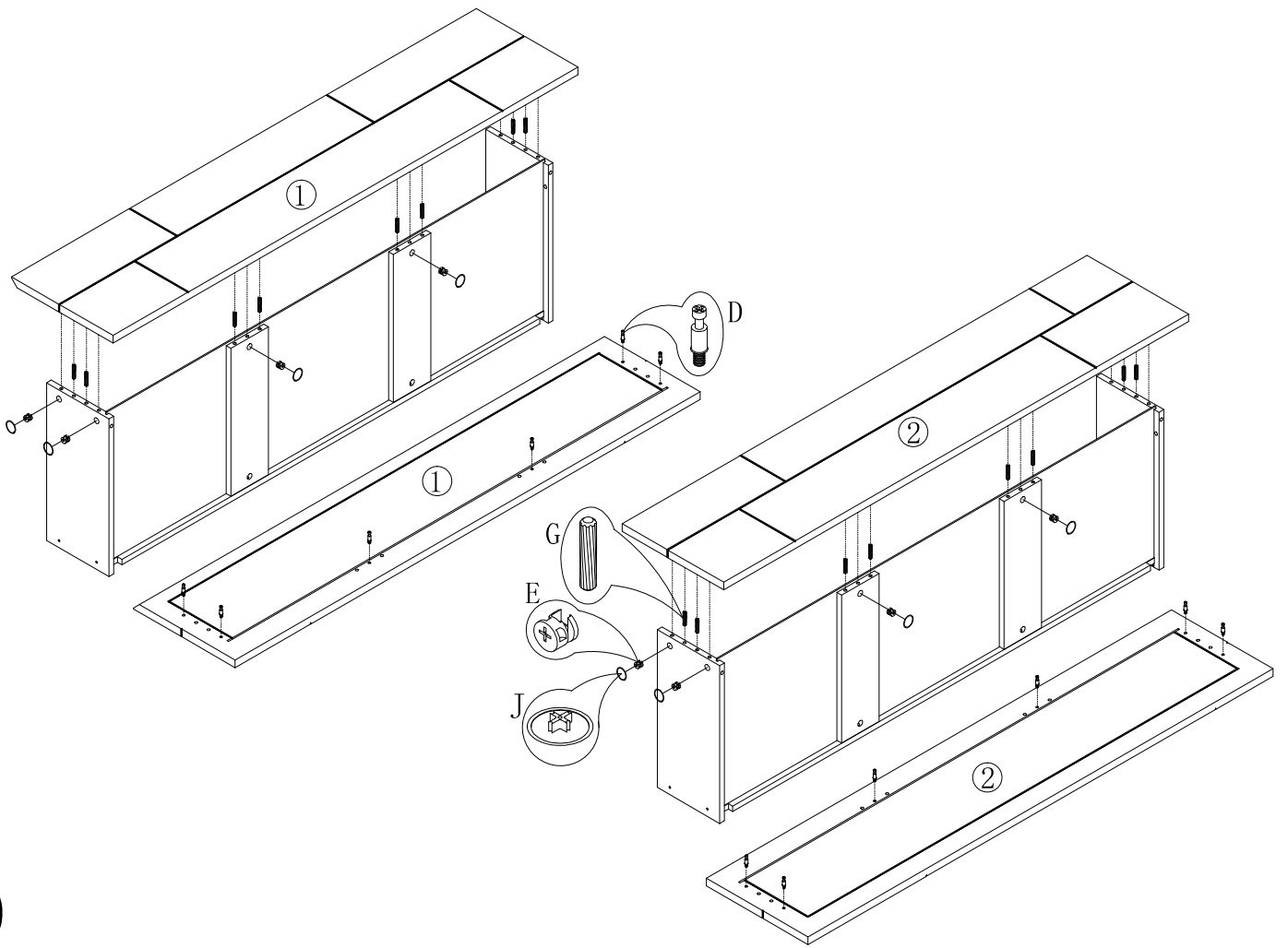




7

8





9

10

