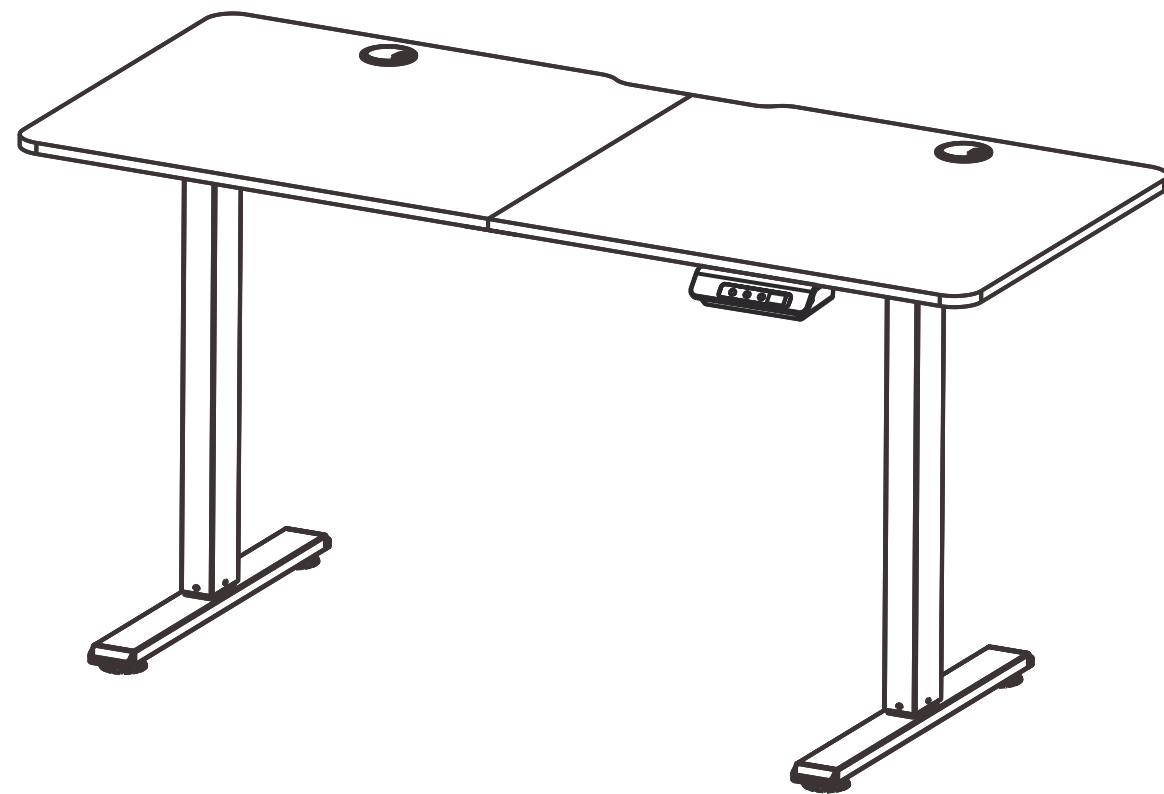




**Jan Nowak®**

Electric Hight Adjustable Desk



**Rob 1400**

**SCREW ACCESORIES**



**S1 x1**



6mm

**S2 x1**



3mm

**S3 x14**



M8\*16

**S4 x2**



M5\*16

**S5 x2**



M4\*12

**S6 x9**



M8\*25

**S7 x3**



**S8 x2**



**S10 x4**

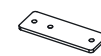


**S11 x38**



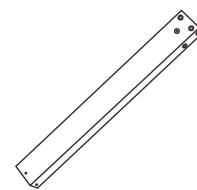
M4\*14

**S12 x2**



**PARTS ACCESORIES**

**A x2**



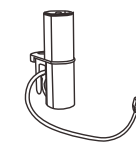
**B x1**



**C x1**



**D x1**



**F x1**



**G x1**



**H x1**



**I x2**



**J x2**



**K x1**



**M x1**



**N x1**



**O x1**



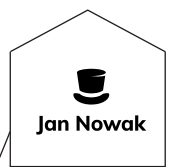
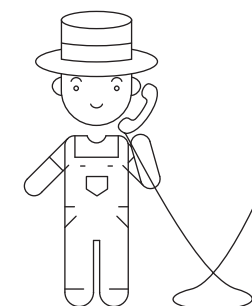
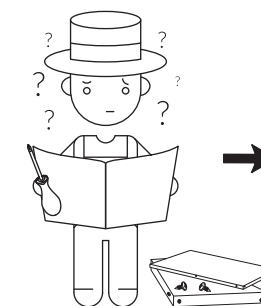
**P x1**



**Q x1**

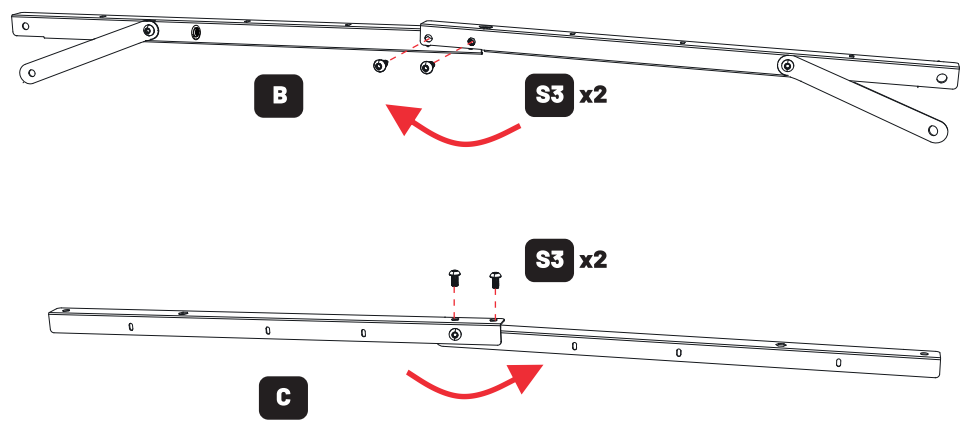
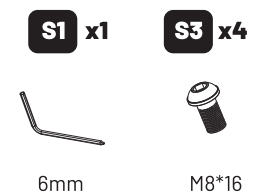
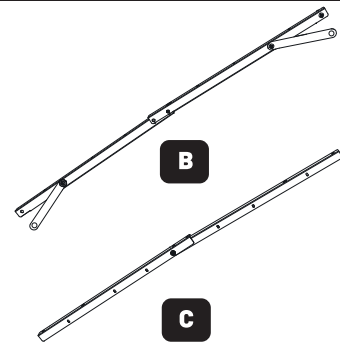


**CONTACT**

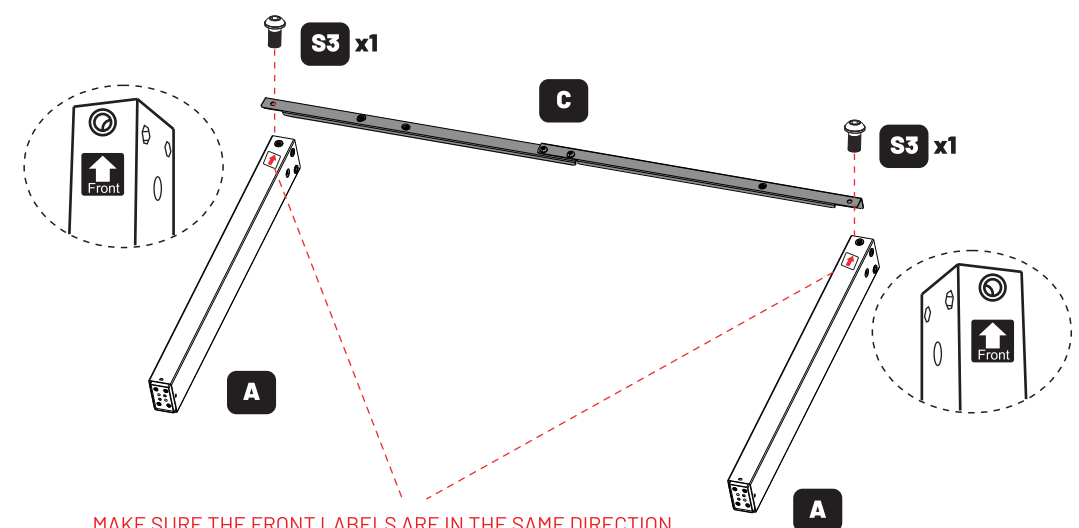
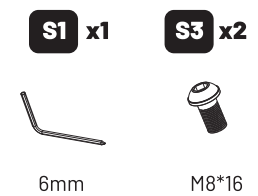
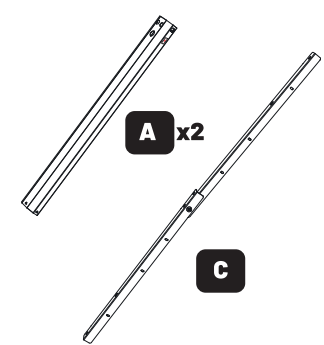


PL +48 68 422 84 24

### STEP 1

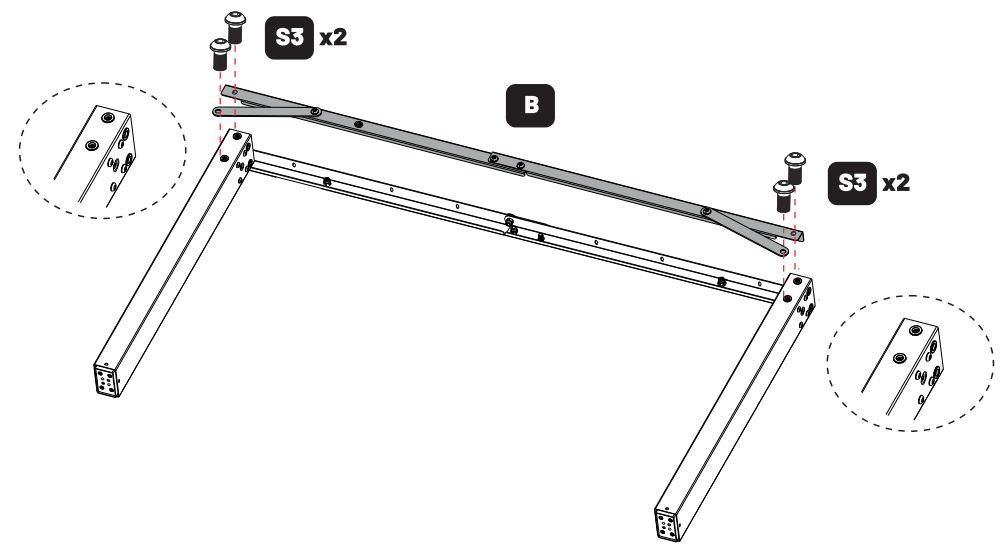
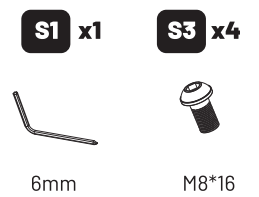
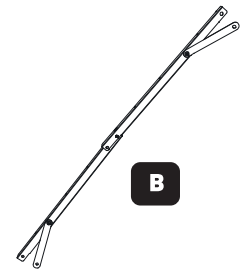


### STEP 2

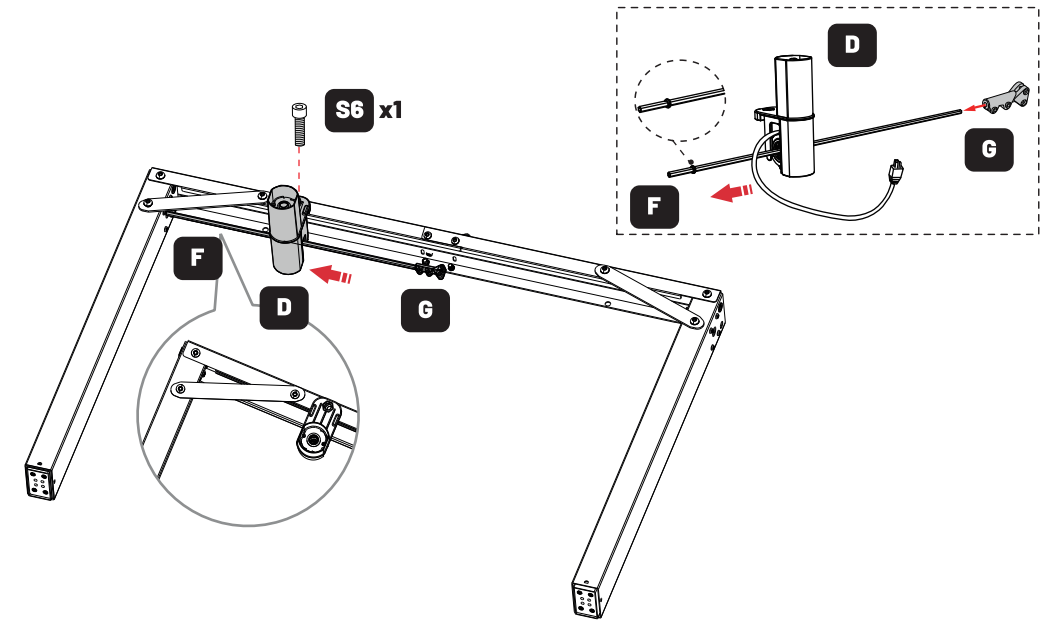
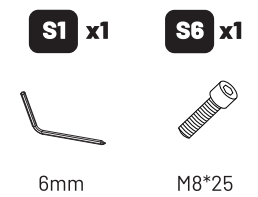
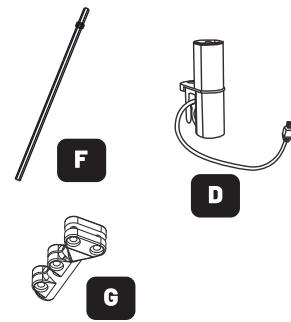


MAKE SURE THE FRONT LABELS ARE IN THE SAME DIRECTION

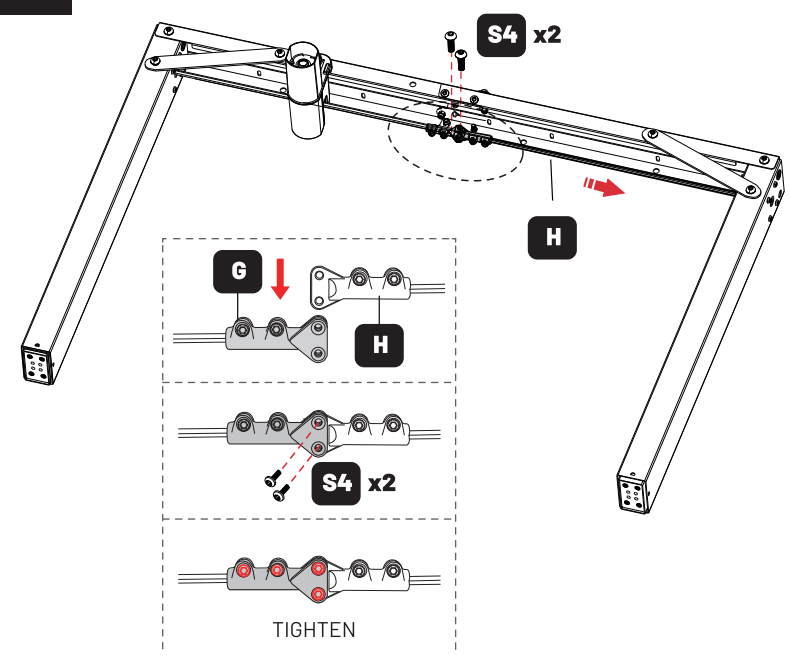
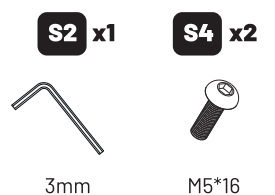
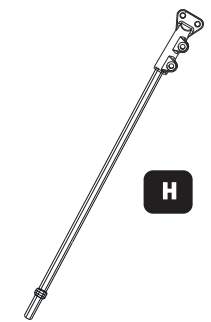
### STEP 3



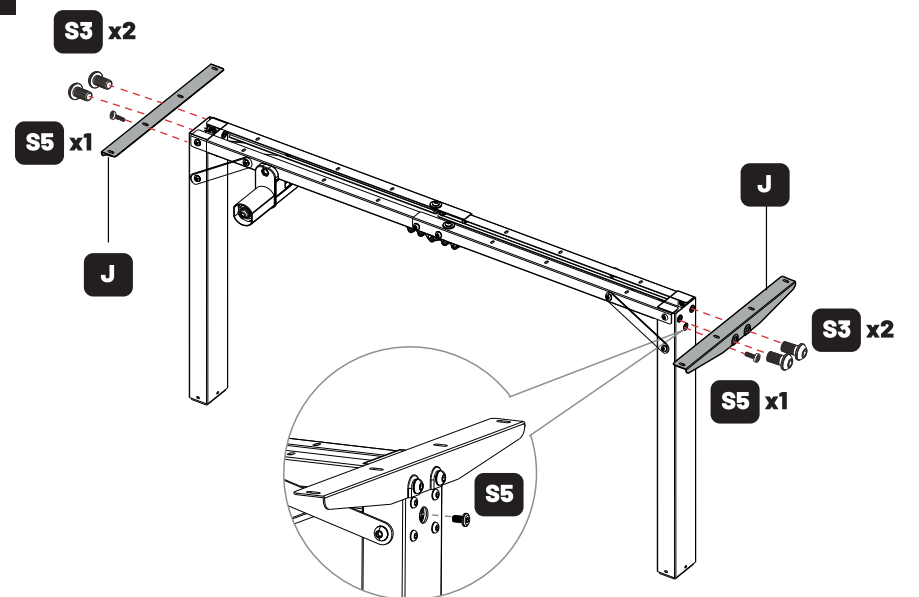
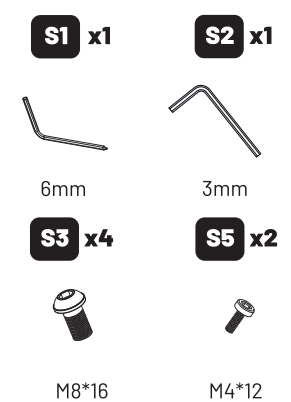
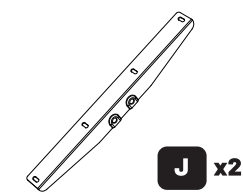
### STEP 4



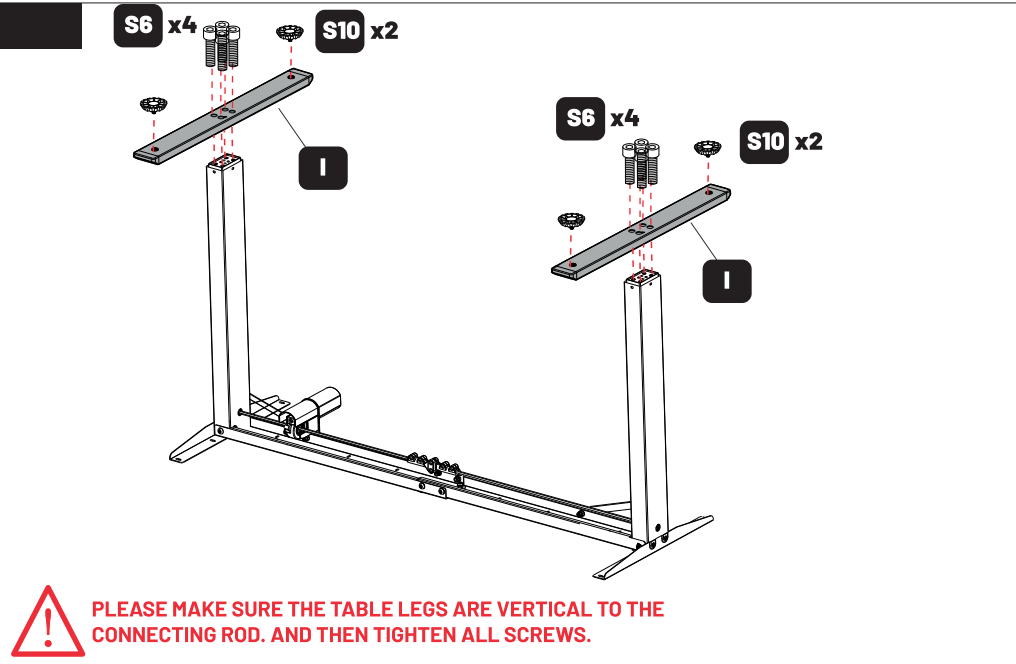
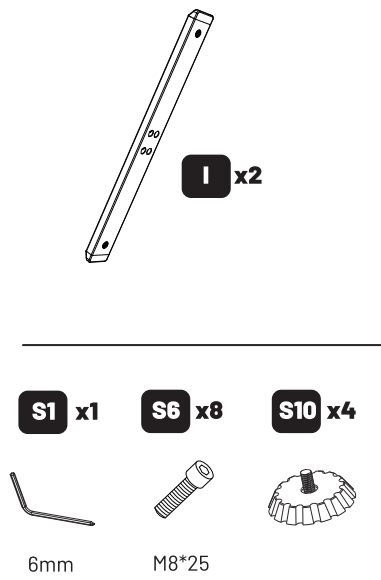
### STEP 5



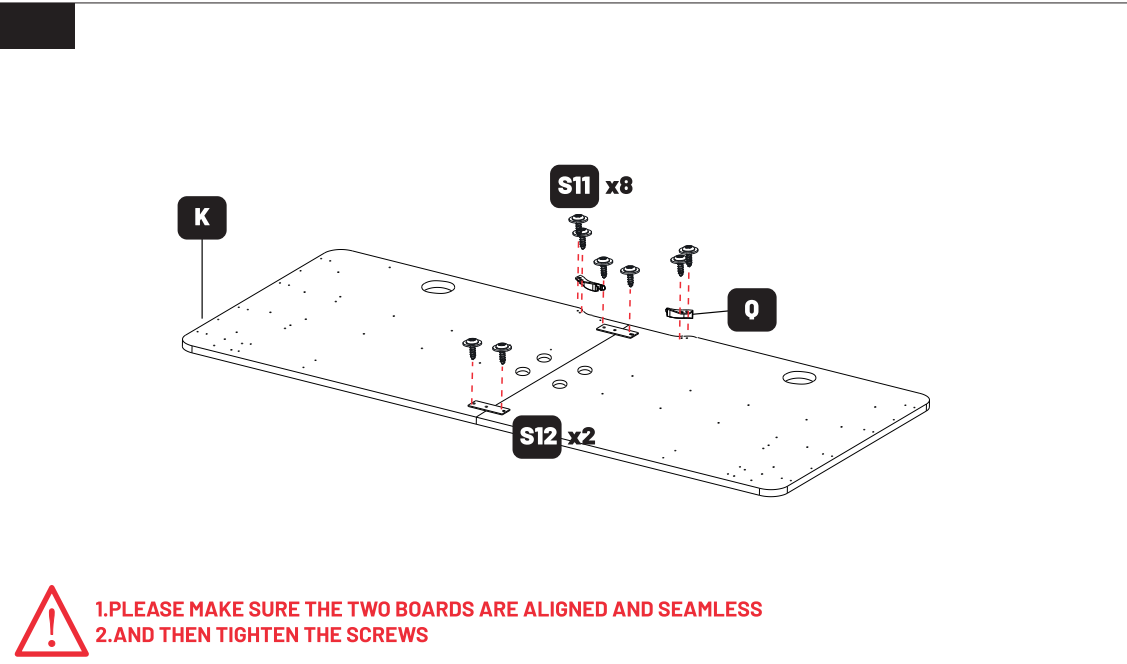
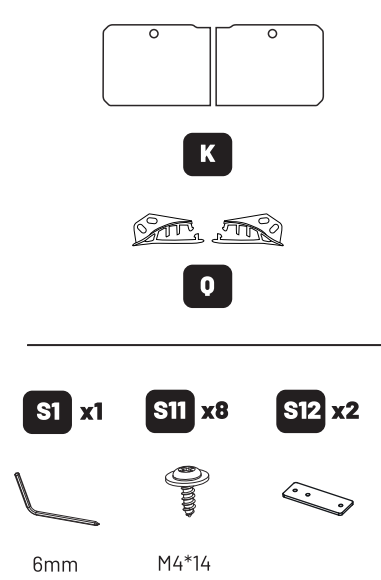
### STEP 6



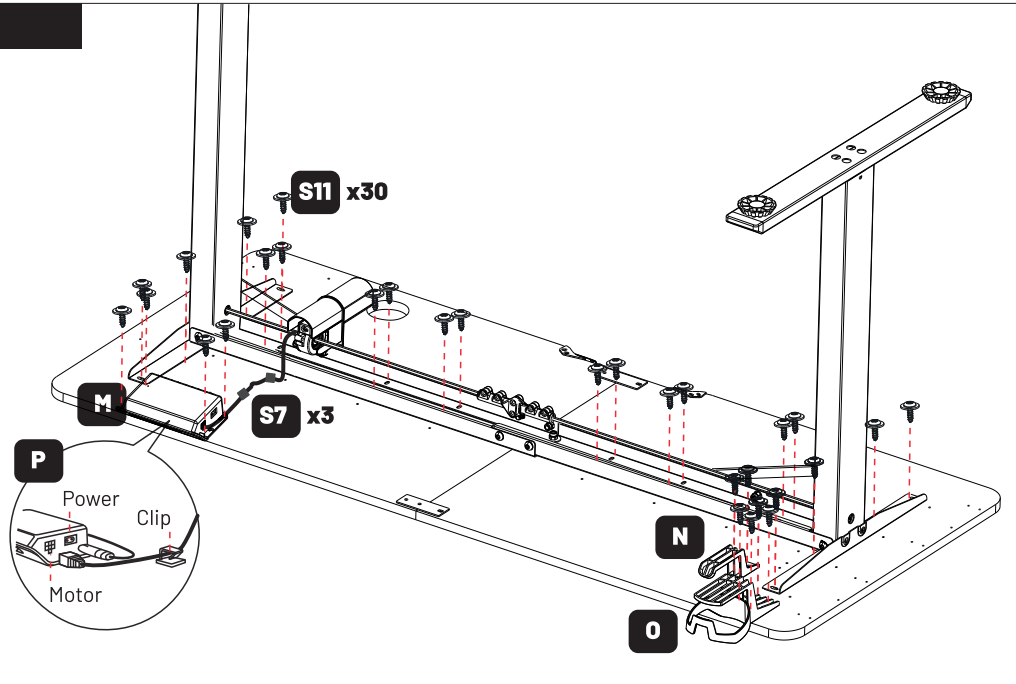
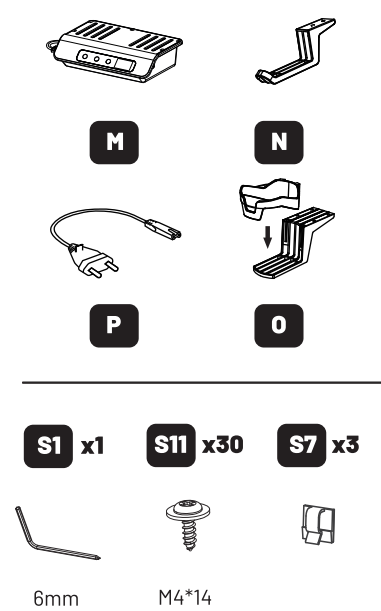
### STEP 7



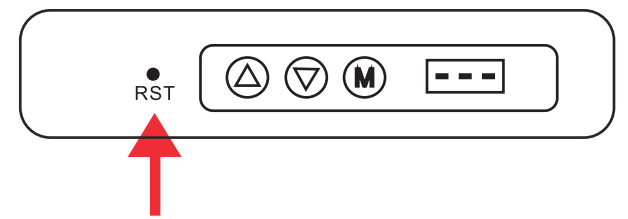
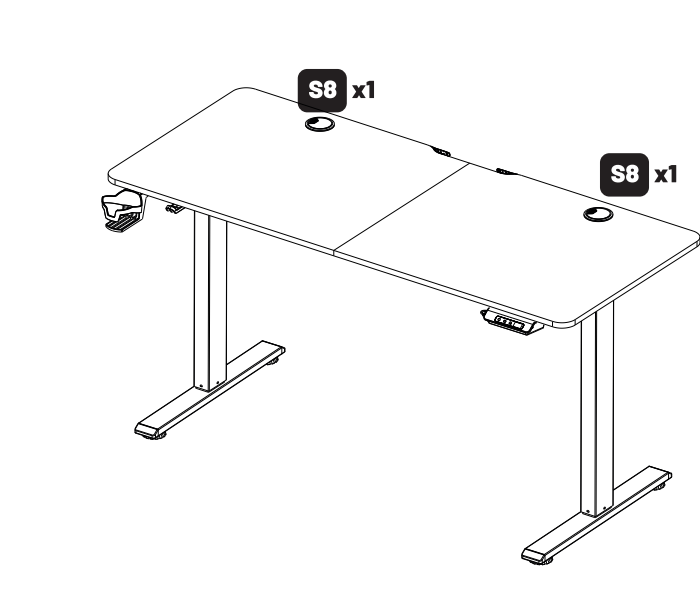
### STEP 8



### STEP 9



### STEP 10



**AFTER THE TABLE IS INSTALLED, PLEASE PRESS THE RST KEY TO START**



FR  
Pensez à donner ou recycler.

