

# DEAL(GA-025H-U)

## Instrukcja montażu

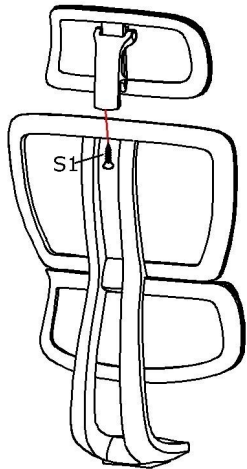
## Assembly instruction

## Montageanleitung

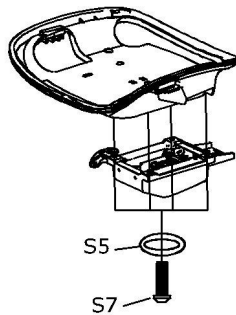


Zaglówek Headrest Kopfstütze	Oparcie Backrest Rückenlehne	Siedzisko Seat Sitzfläche	mechanizm mechanism mechanismus	Podstawa Base Basis	Podłokietnik Armrest Armlehnen	Kółko Caster Rollen	Podnośnik Gaslift Gaslift	Zestawy śrub Screw sets Schraubensätze																				
								<table border="1"> <tr> <td>S1X1 M4x20</td> <td></td> <td>S5 X10 M6x16x1.2</td> <td></td> </tr> <tr> <td>S2X2 M6x20</td> <td></td> <td>S6X3 M8x22x1.2</td> <td></td> </tr> <tr> <td>S3X4 M6x25</td> <td></td> <td>S8X1 M6</td> <td></td> </tr> <tr> <td>S4X3 M8x30</td> <td></td> <td>S9X1 M5</td> <td></td> </tr> <tr> <td>S7X4 M6x16</td> <td></td> <td></td> <td></td> </tr> </table>	S1X1 M4x20		S5 X10 M6x16x1.2		S2X2 M6x20		S6X3 M8x22x1.2		S3X4 M6x25		S8X1 M6		S4X3 M8x30		S9X1 M5		S7X4 M6x16			
S1X1 M4x20		S5 X10 M6x16x1.2																										
S2X2 M6x20		S6X3 M8x22x1.2																										
S3X4 M6x25		S8X1 M6																										
S4X3 M8x30		S9X1 M5																										
S7X4 M6x16																												
						X5																						

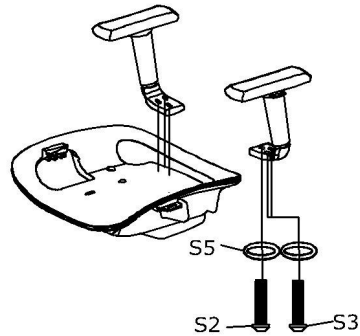
Krok 1  
Step 1  
Schritt 1



Krok 2  
Step 2  
Schritt 2



Krok 3  
Step 3  
Schritt 3



Krok 4  
Step 4  
Schritt 4

