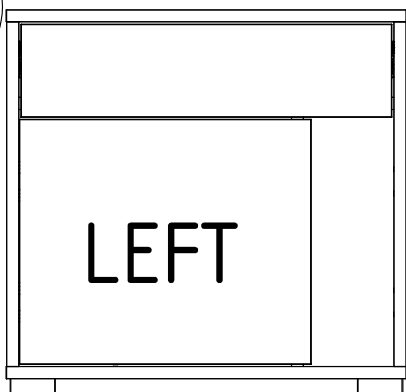


LYON

LYON_01

OP-73

A



B

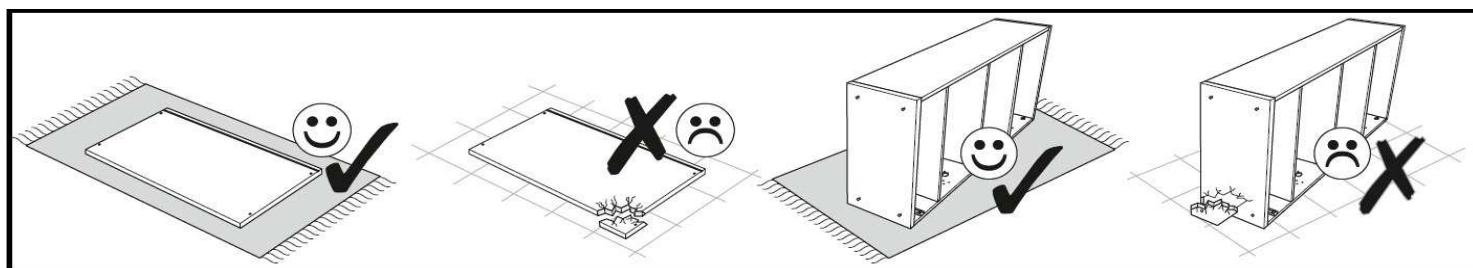
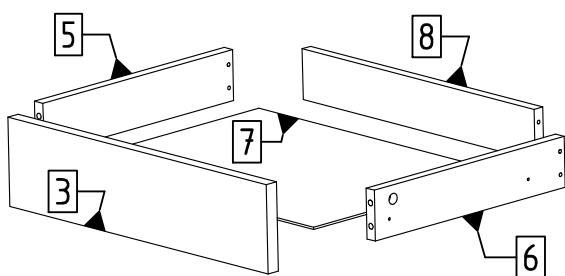
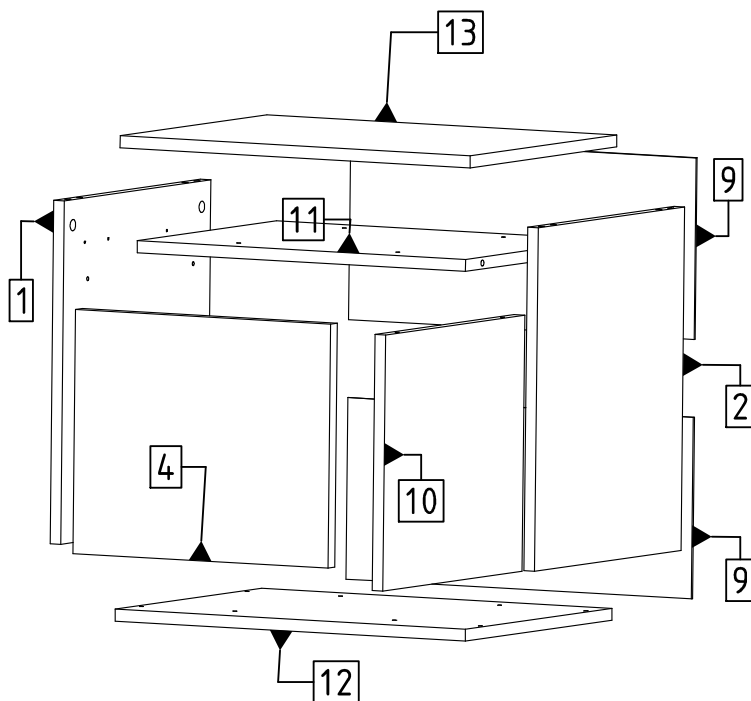
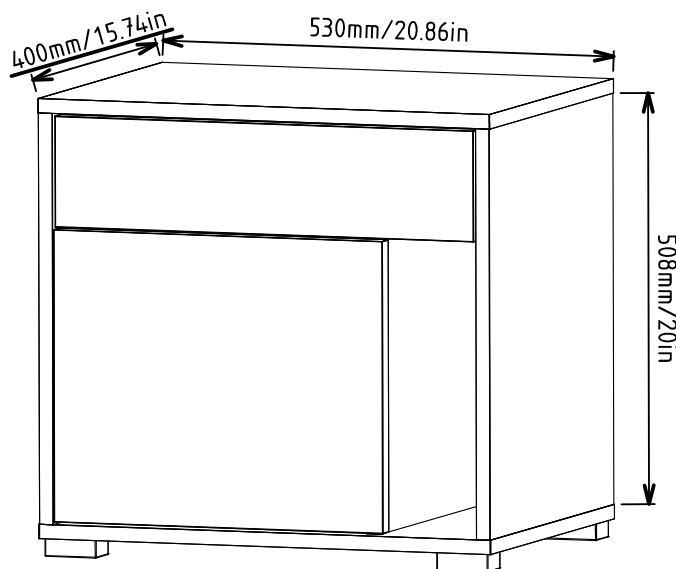
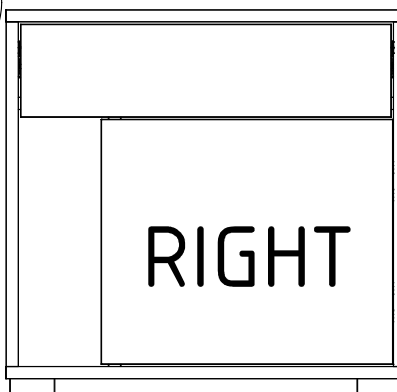
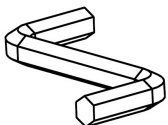
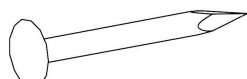

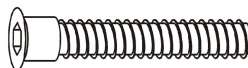

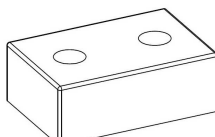
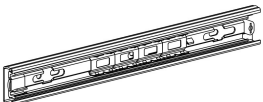
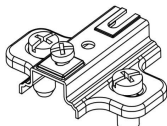
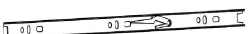
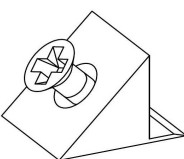
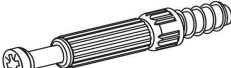
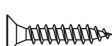
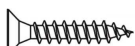
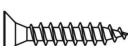
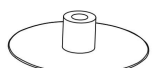
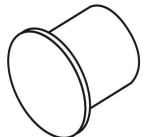
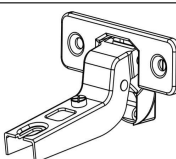
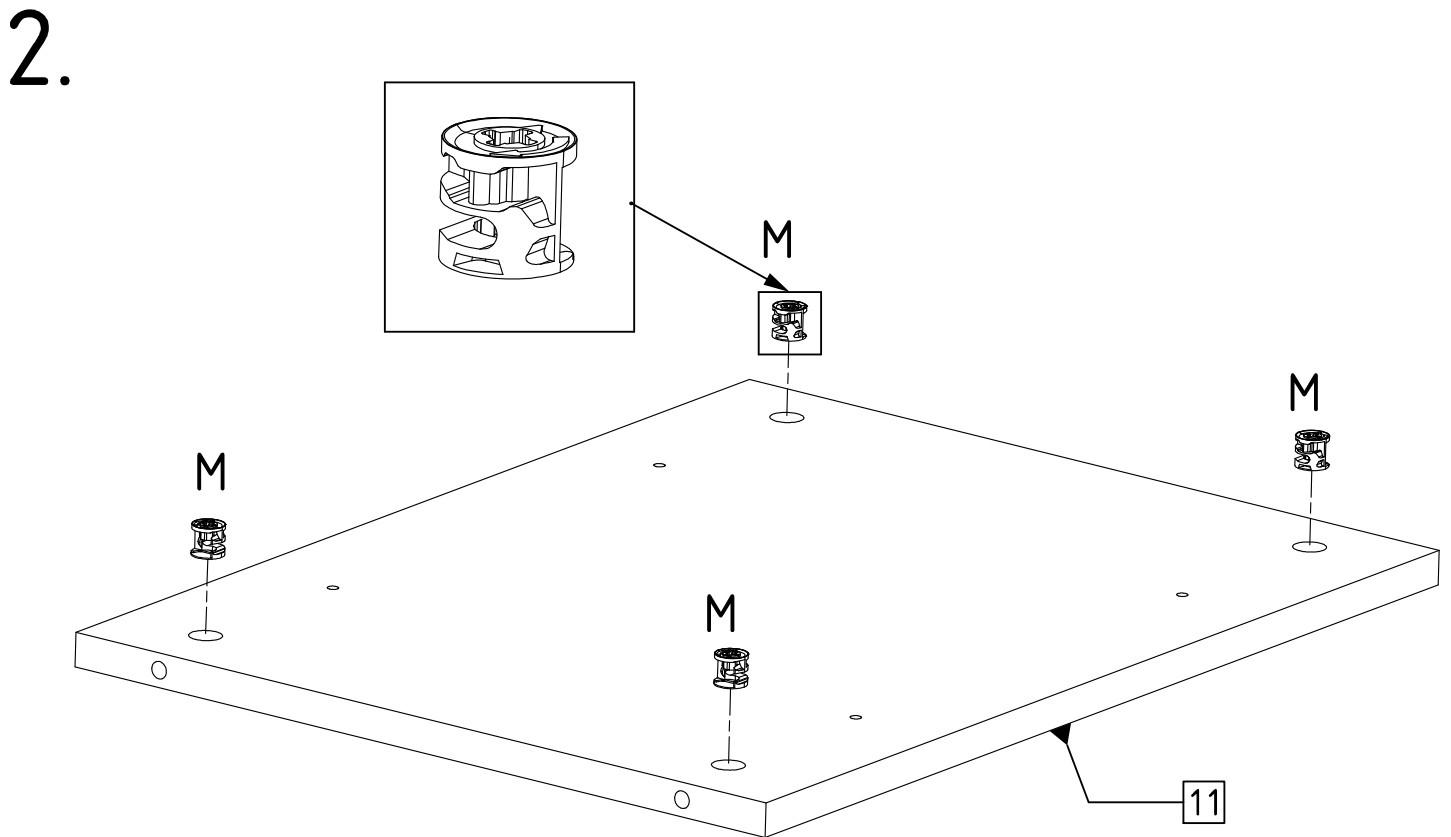
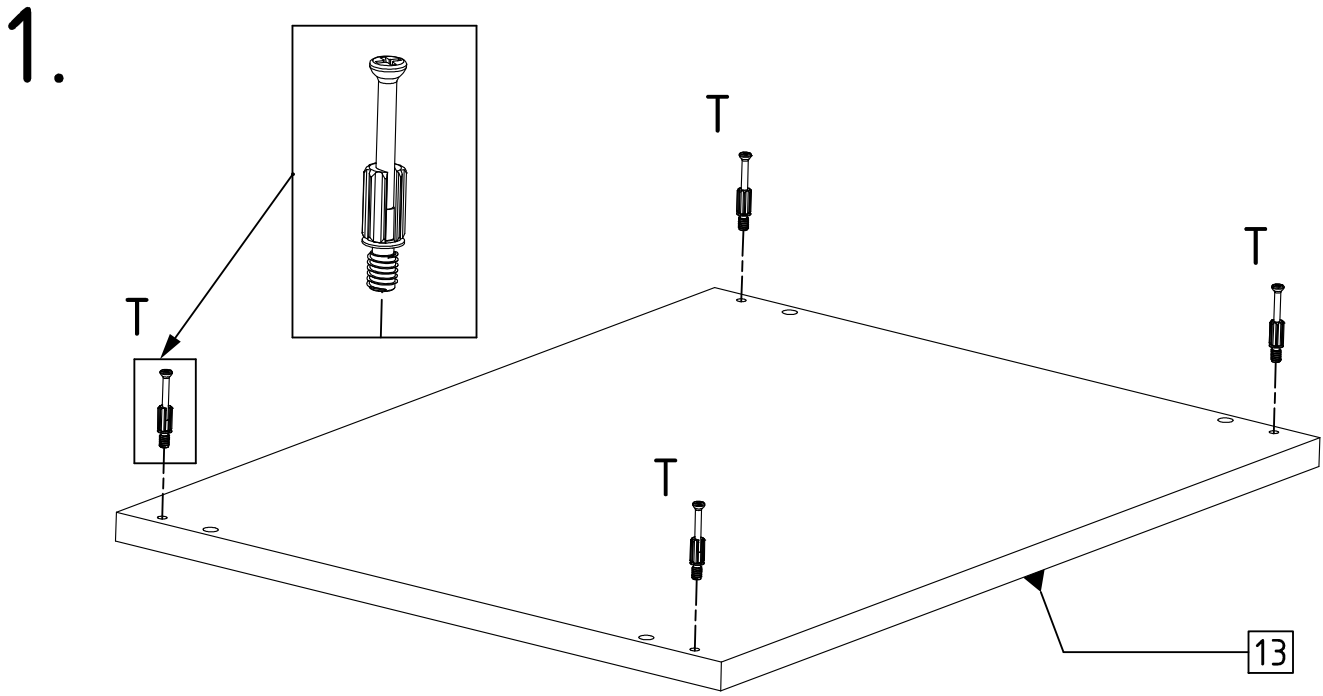
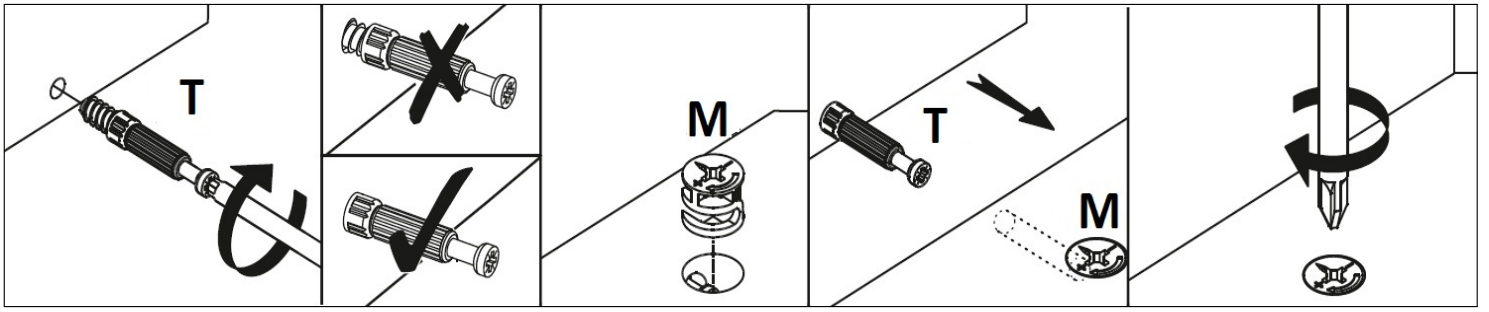


Table accessories

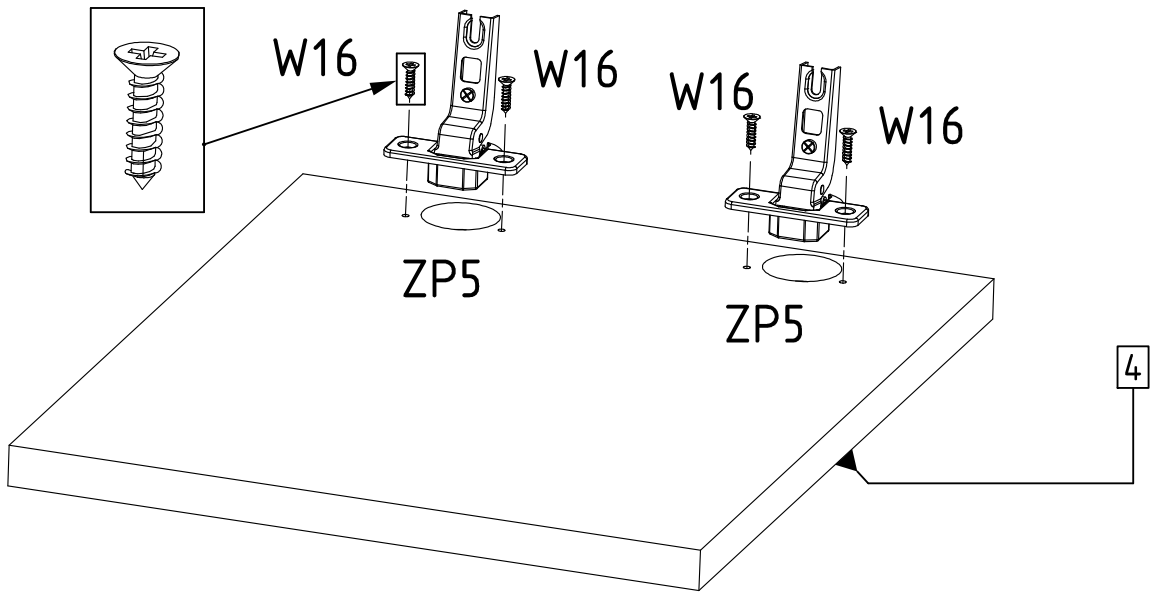
LYON_01

 A1	 G L350	 K 8 x 30	 KN 6,3 X 50	 M 15 x 12
 N5 6 x 34 mm	 PKR 4 x 16	 PRE 3 x 16mm	 PWK 4 X 25mm	 ST
 T	 W16	 W3	 W4	 Z
 Z5	 ZP5			

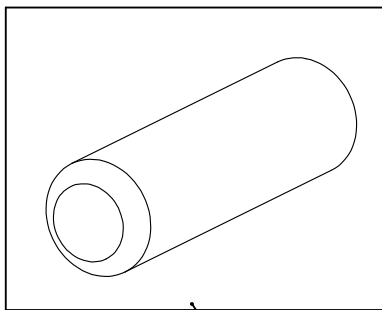
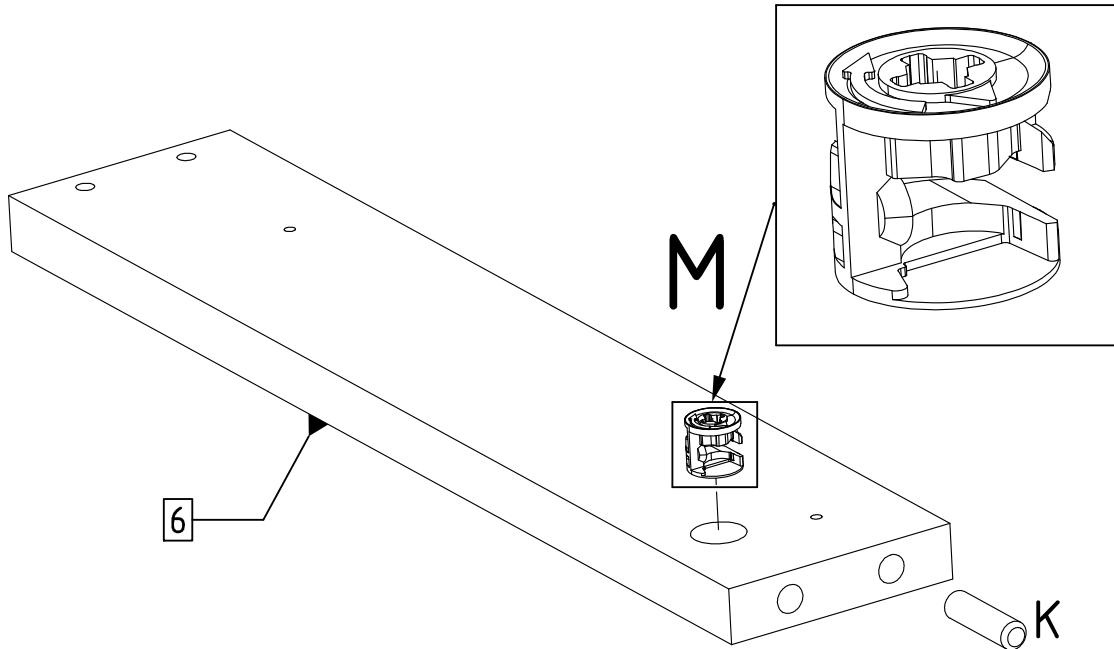
Elements				Accessories	
SYMBOL	LENGTH	WIDTH	QUANTITY	SYMBOL	QUANTITY
BL[1]	456	400	1	A1	1
BP[2]	456	400	1	G	31
FTS[3]	491	123	1	K	6
FT[4]	386	324	1	KN	12
KBL[5]	350	70	1	M	10
KBP[6]	350	70	1	N5	4
KD[7]	469	354	1	PKR_L350	2
KT[8]	441	70	1	PRE	2
PC[9]	523	241	2	PWK_L350	2
PPIO[10]	380	340	1	ST	2
PP0[11]	497	380	1	T	10
WD[12]	530	400	1	W16	4
WG[13]	530	400	1	W3	10
				W4	8
				Z	10
				Z5	8
				ZP5	2



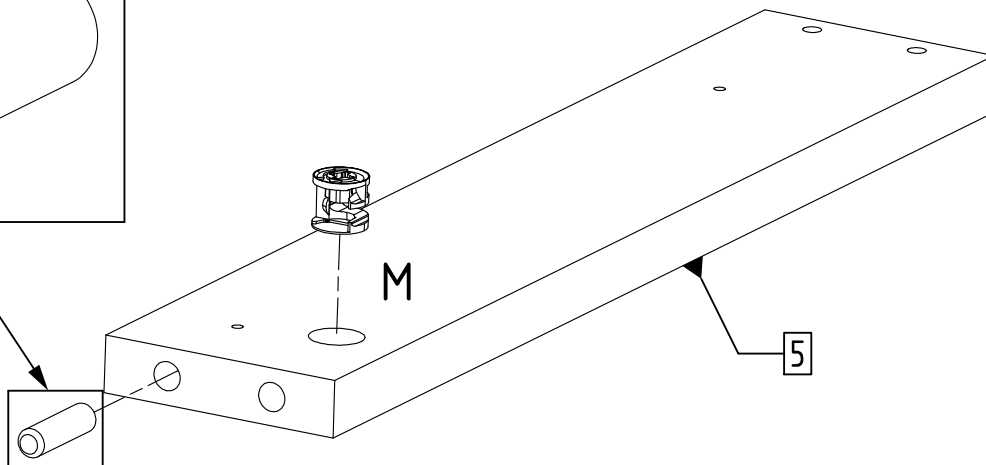
3.

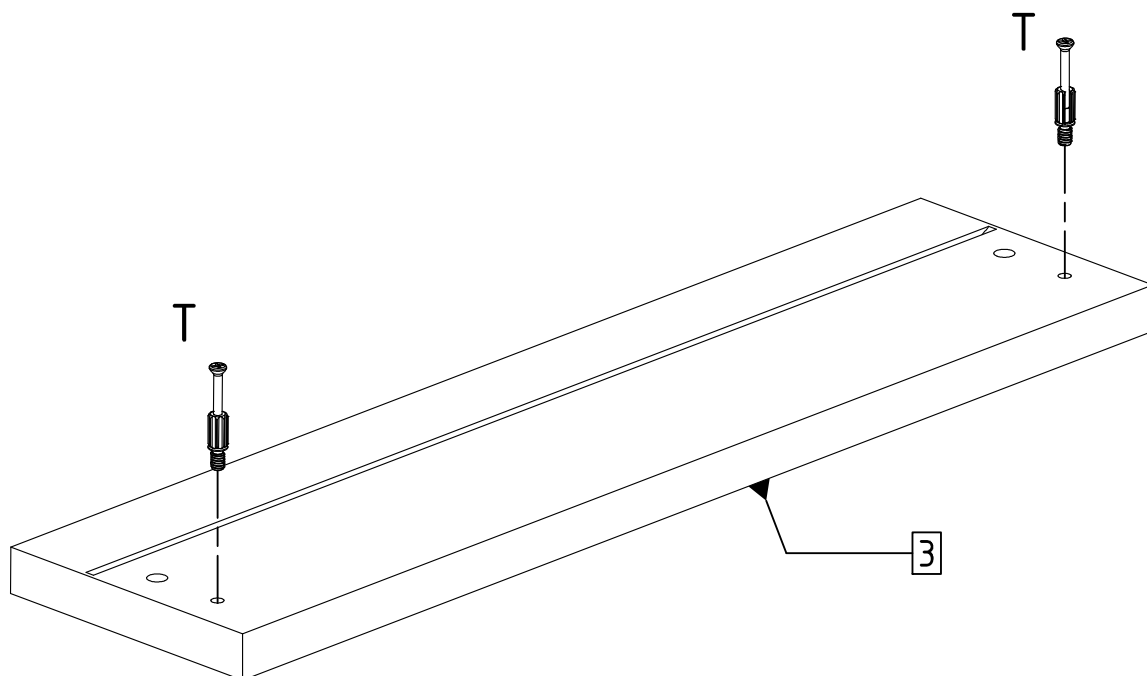


4.

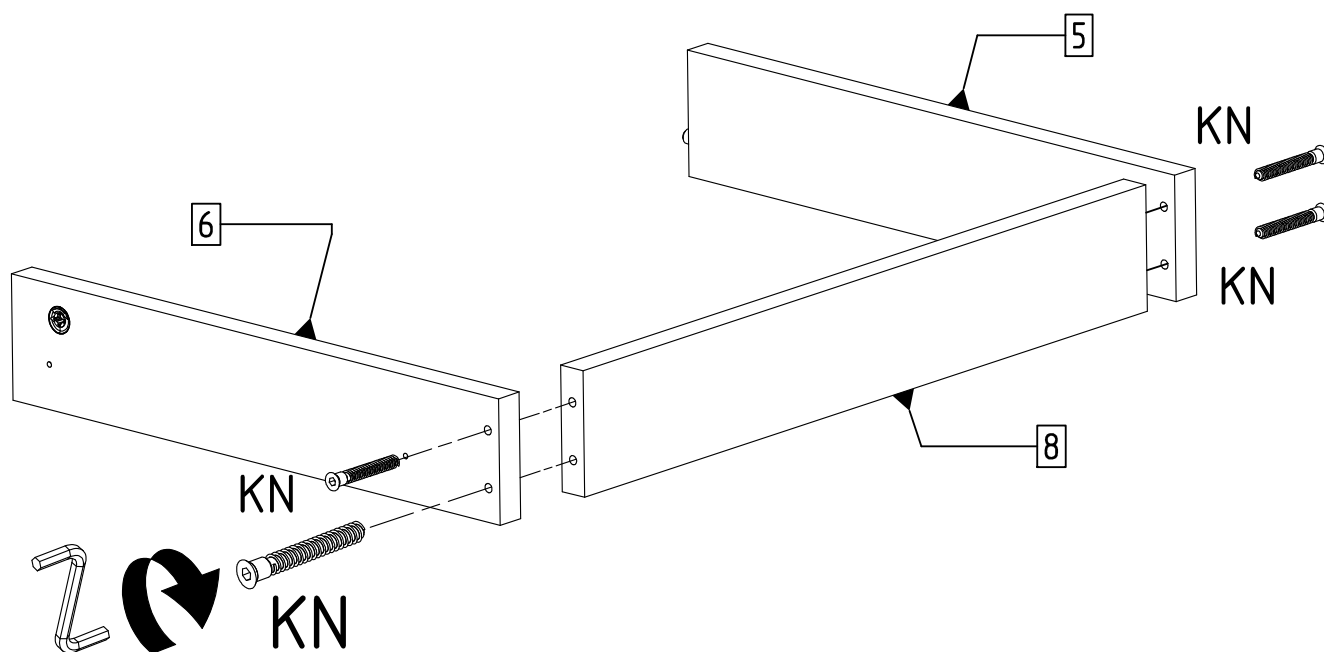


K

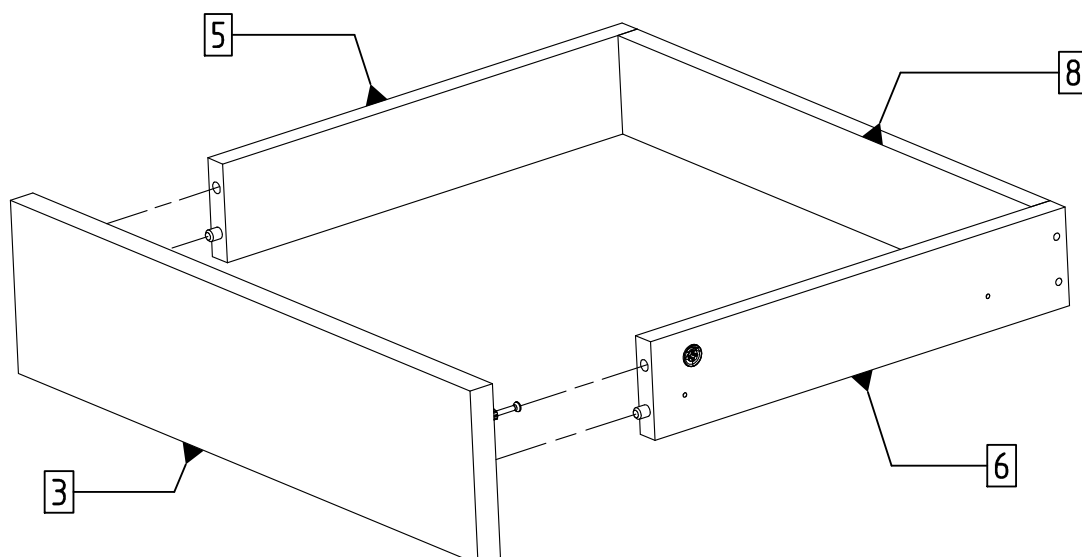




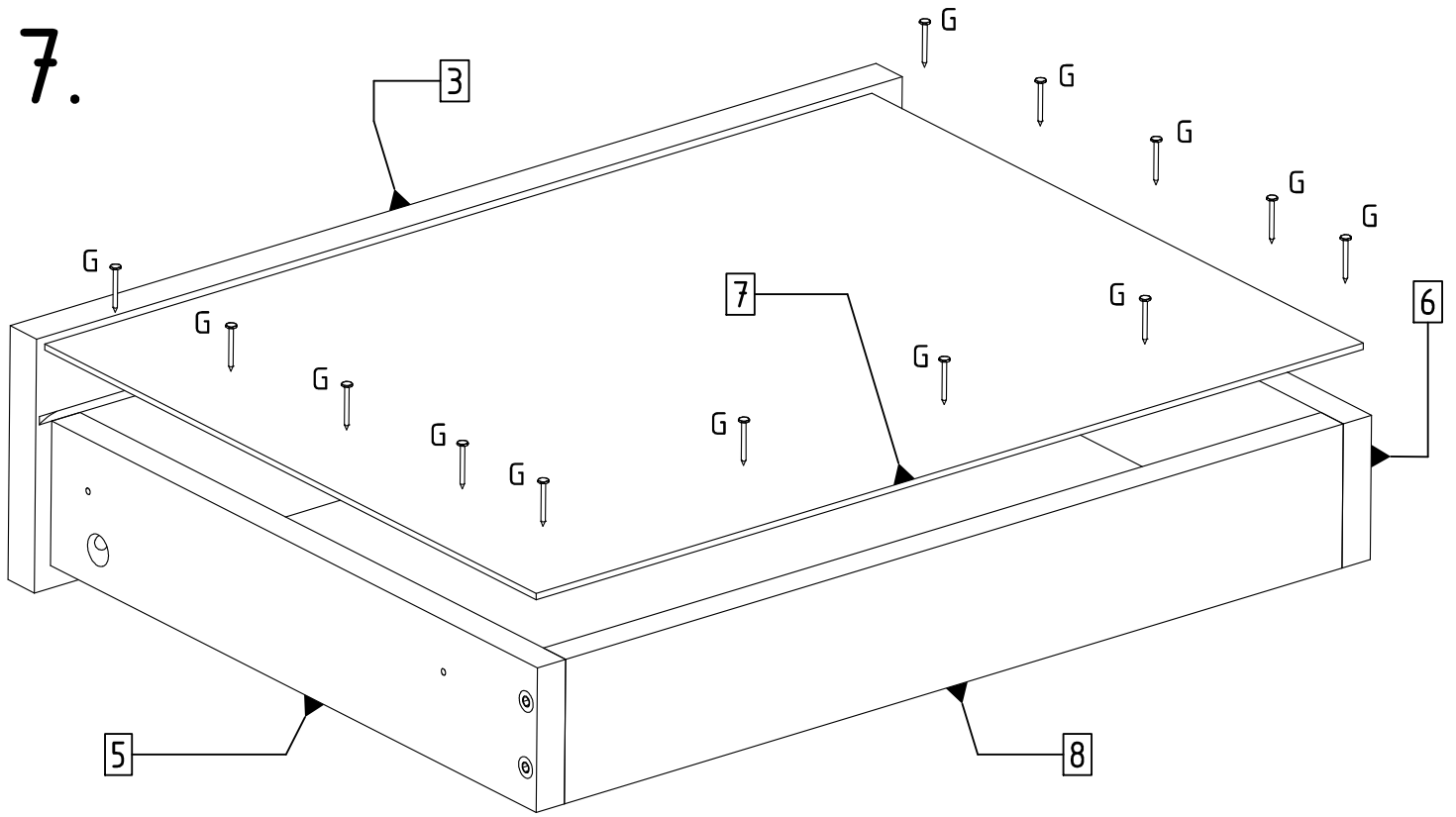
5.



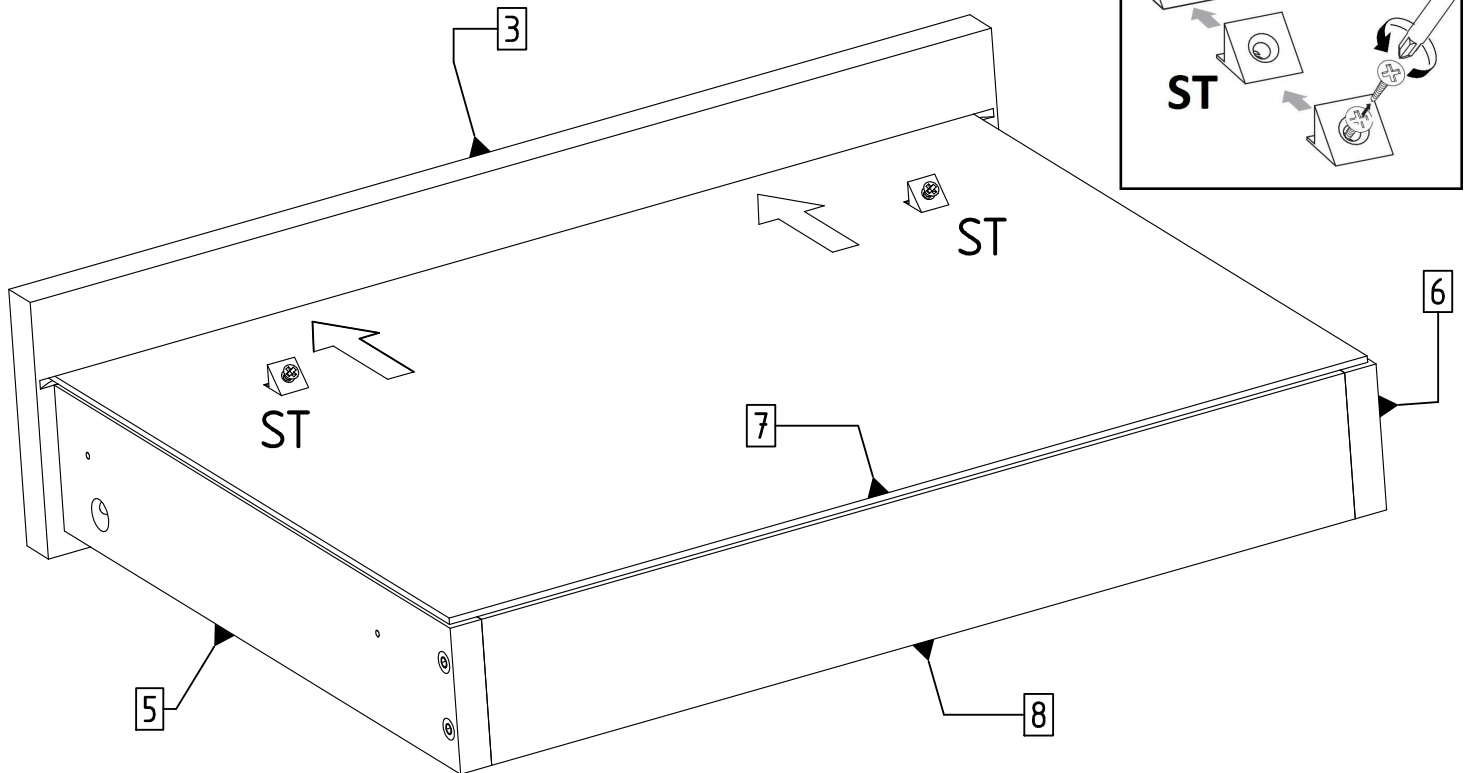
6.

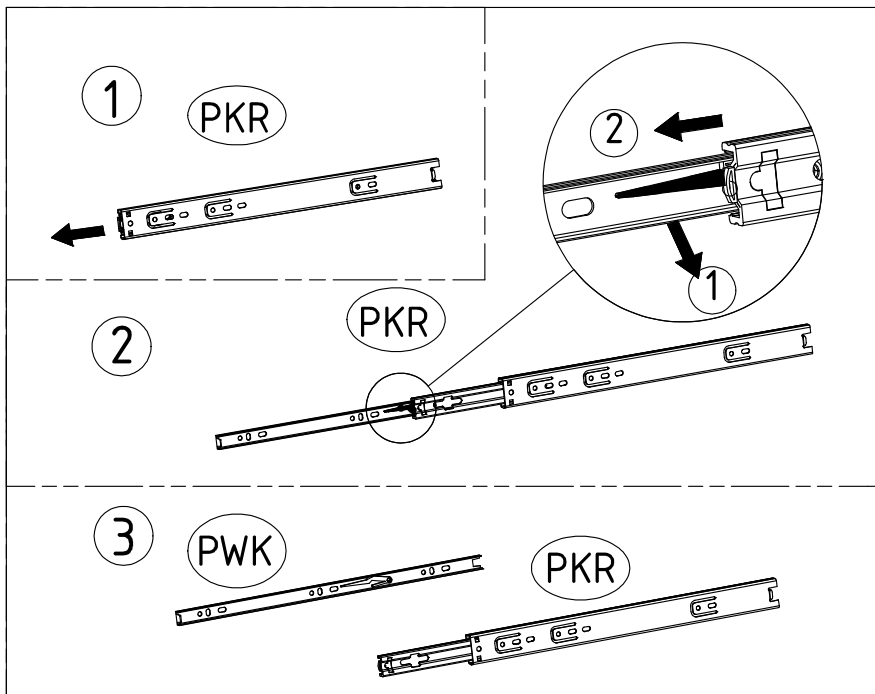


7.

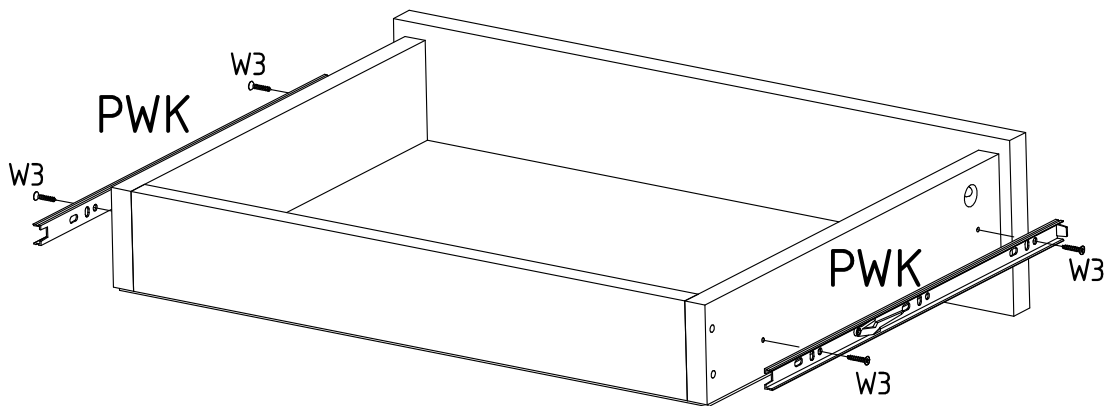


8.





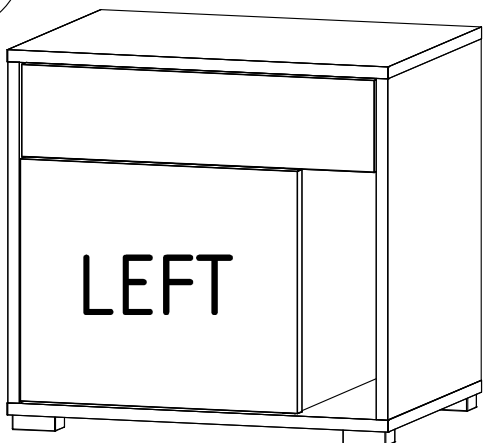
9.



1-7 ; 8-12 ; 18



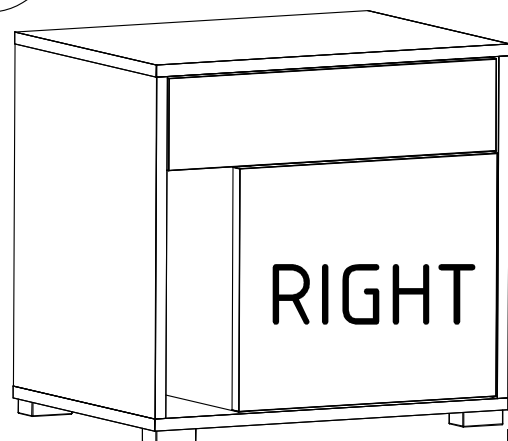
A



1-7 ; 13-18

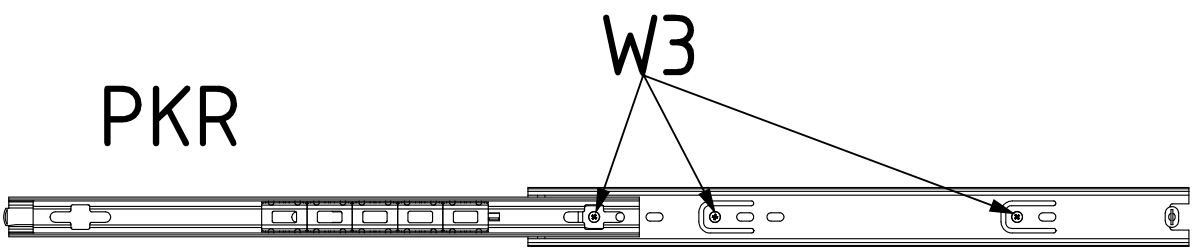
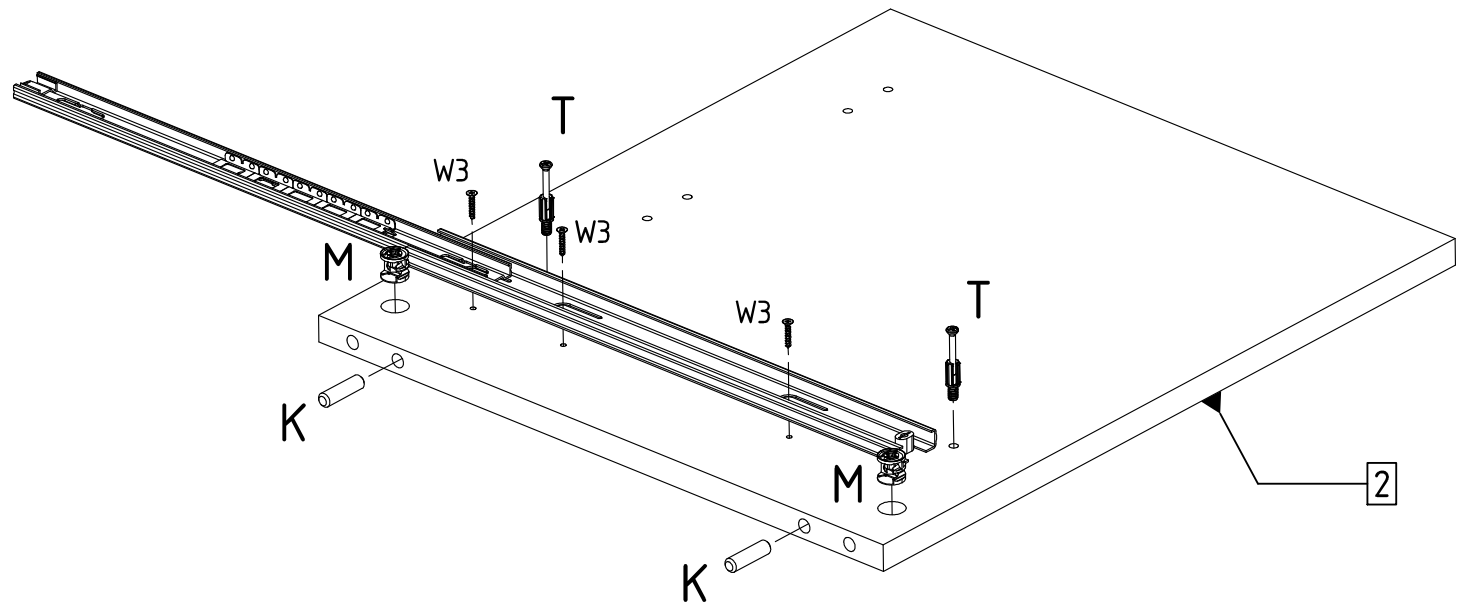
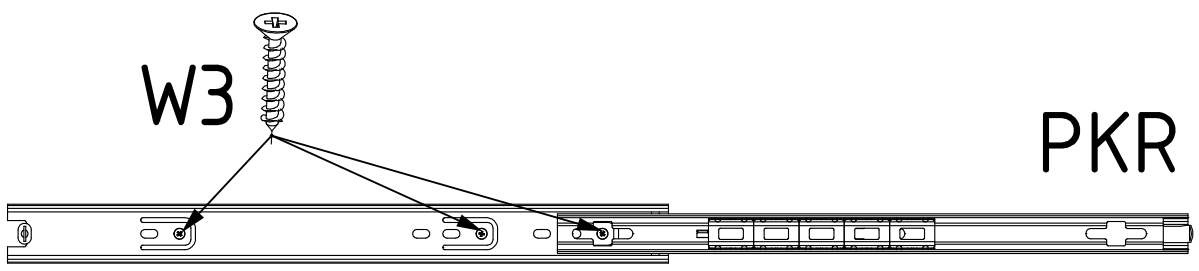
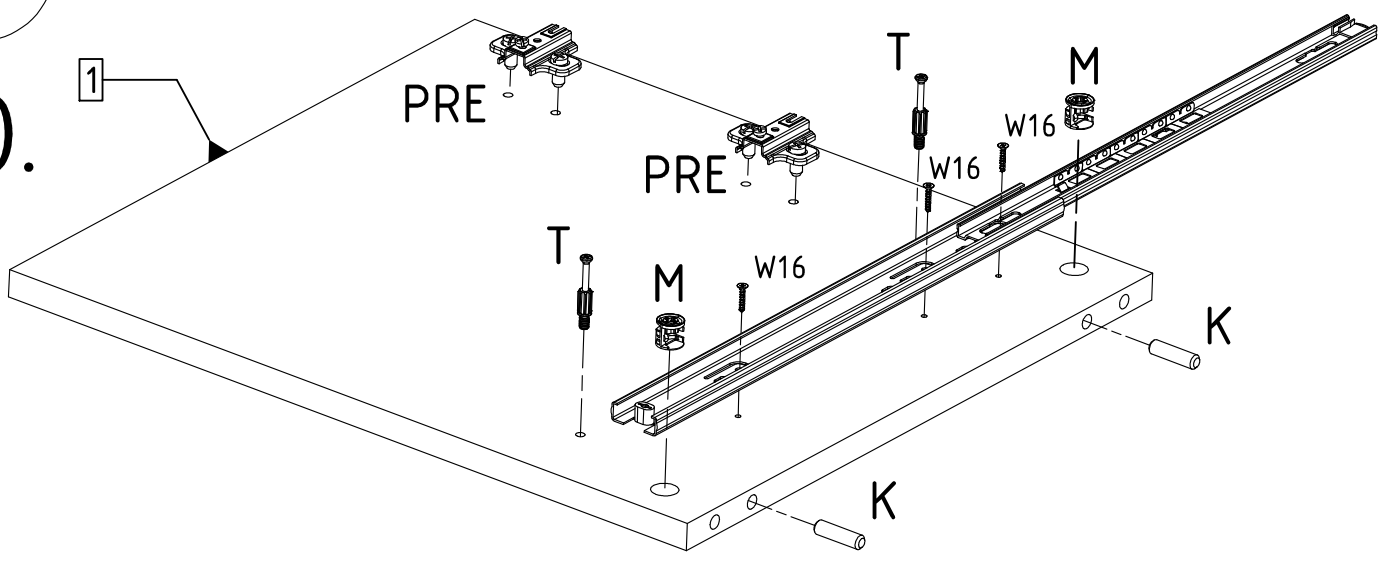


B

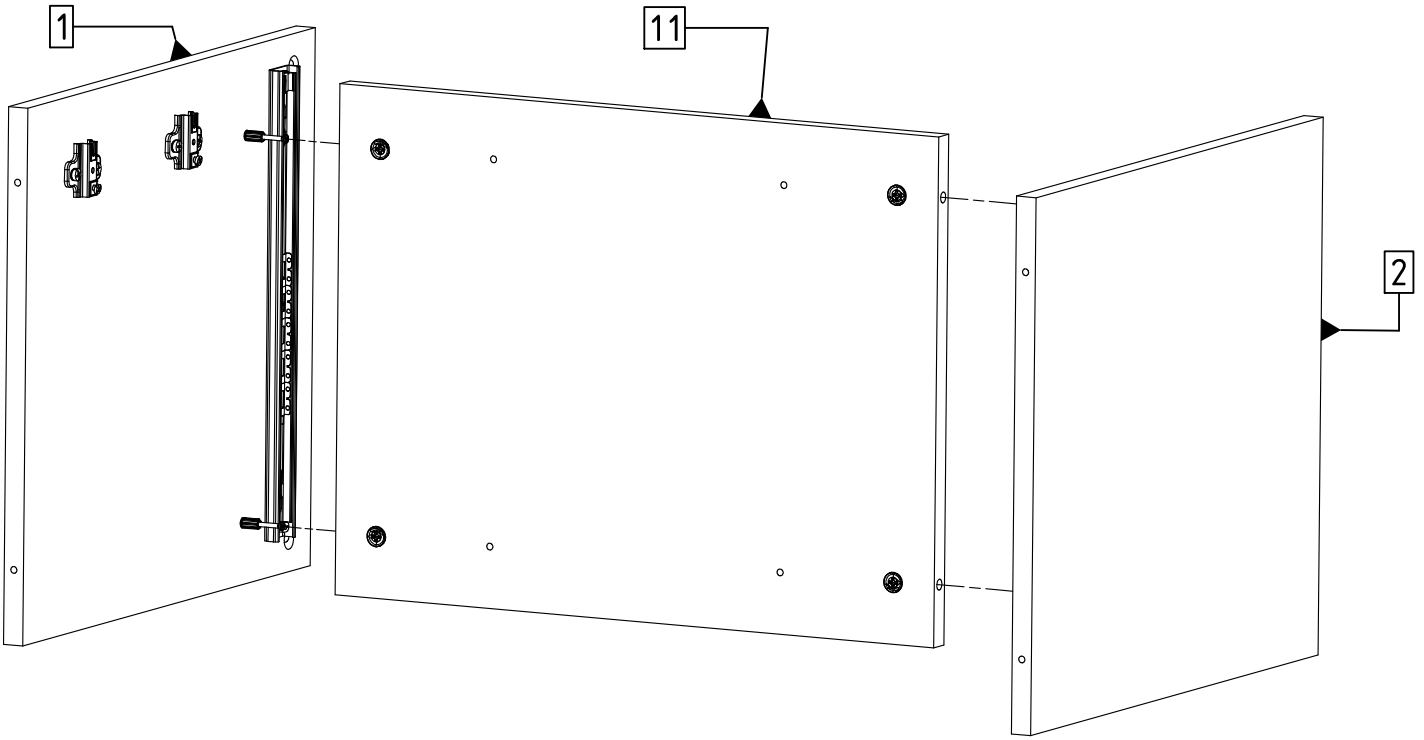


A

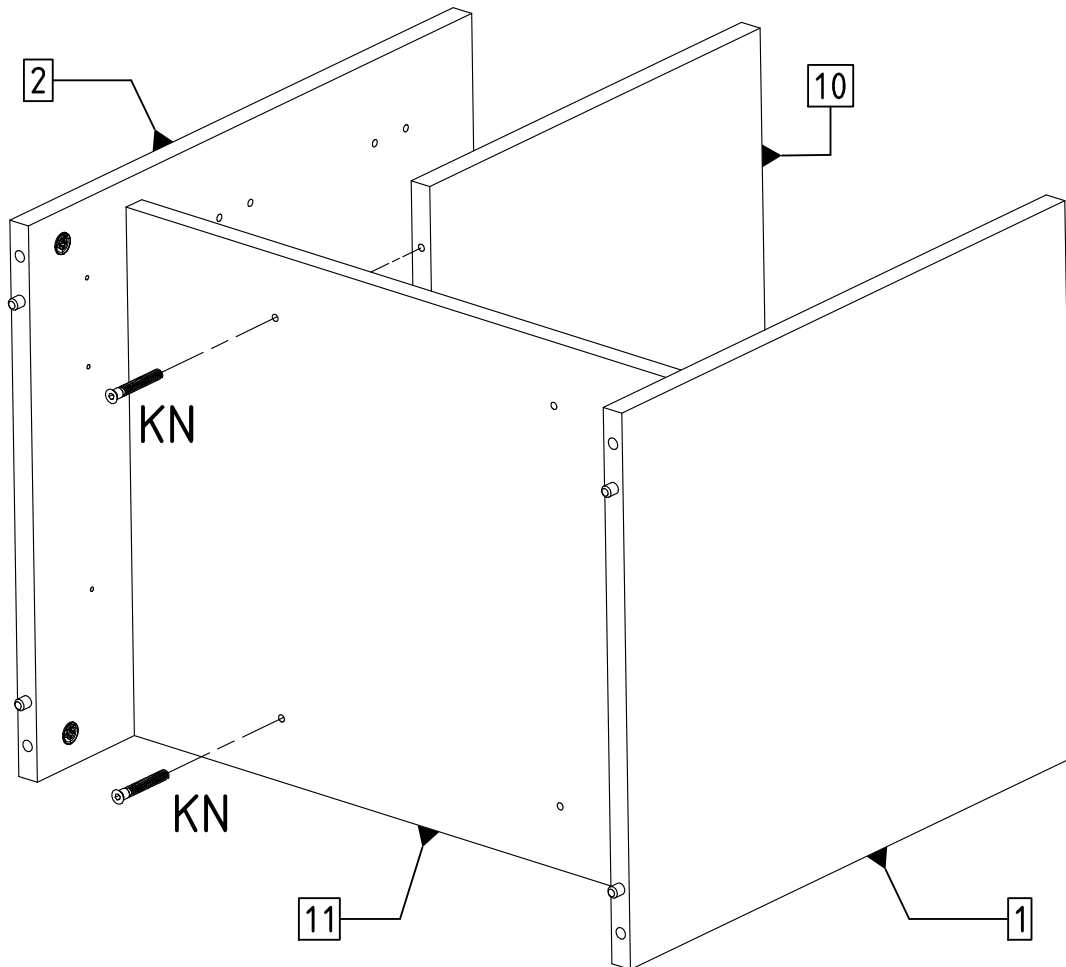
10.



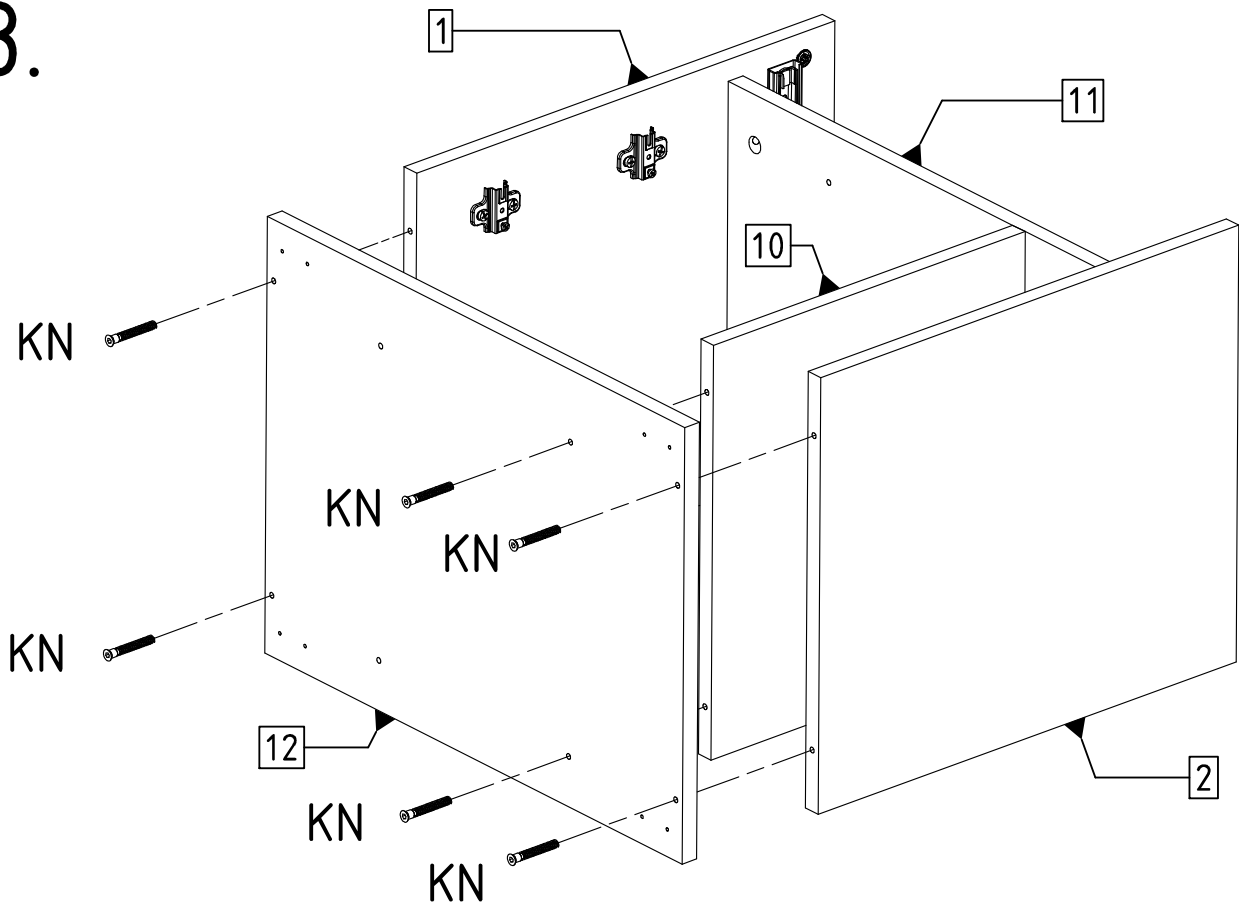
11.



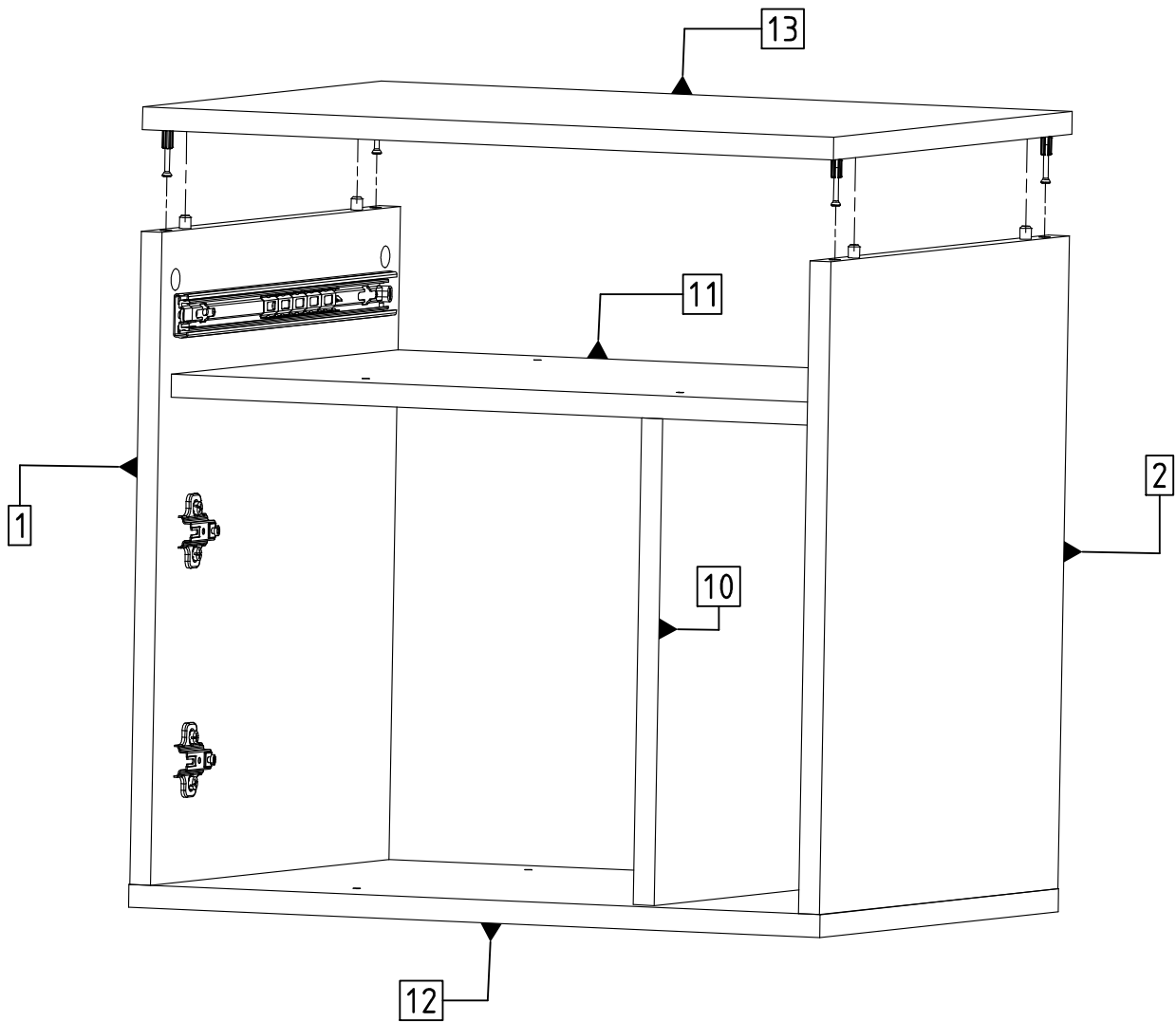
12.



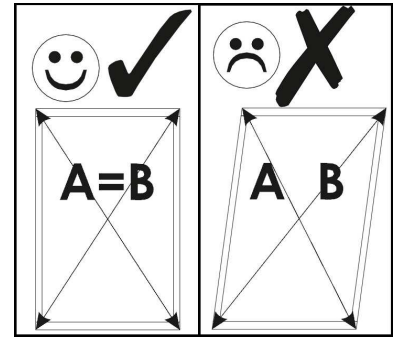
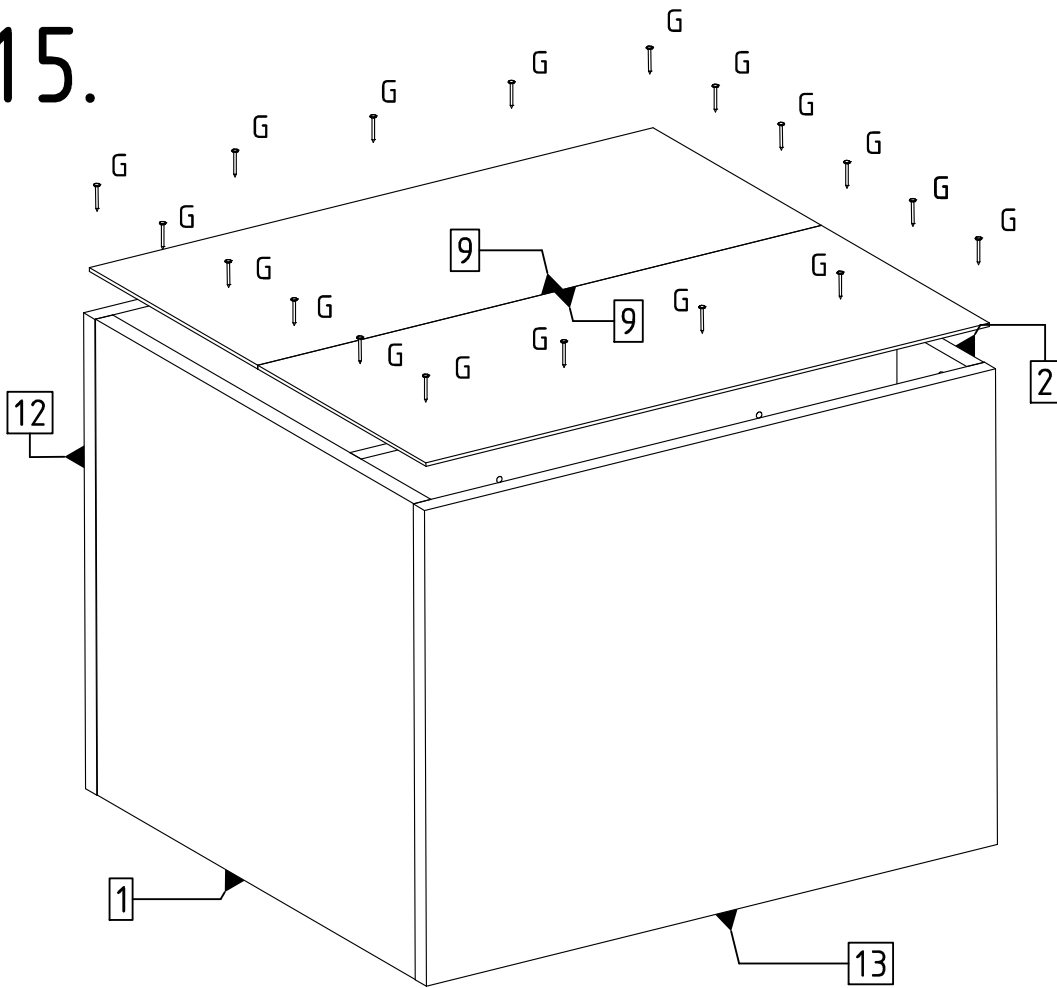
13.



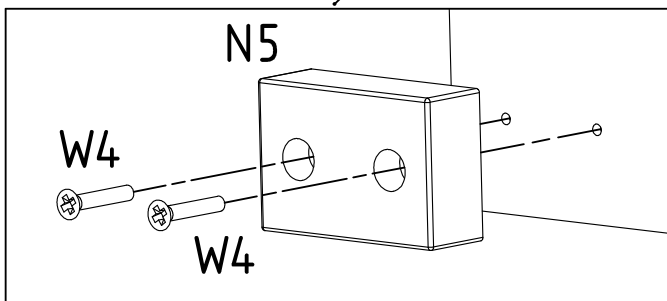
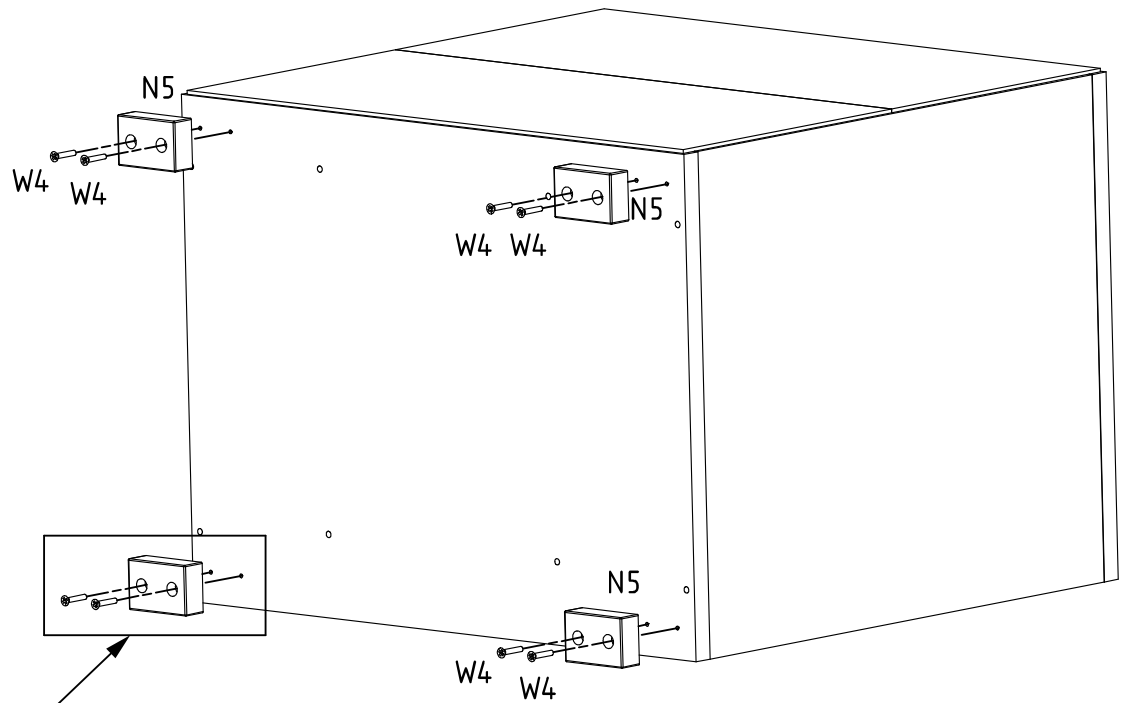
14.



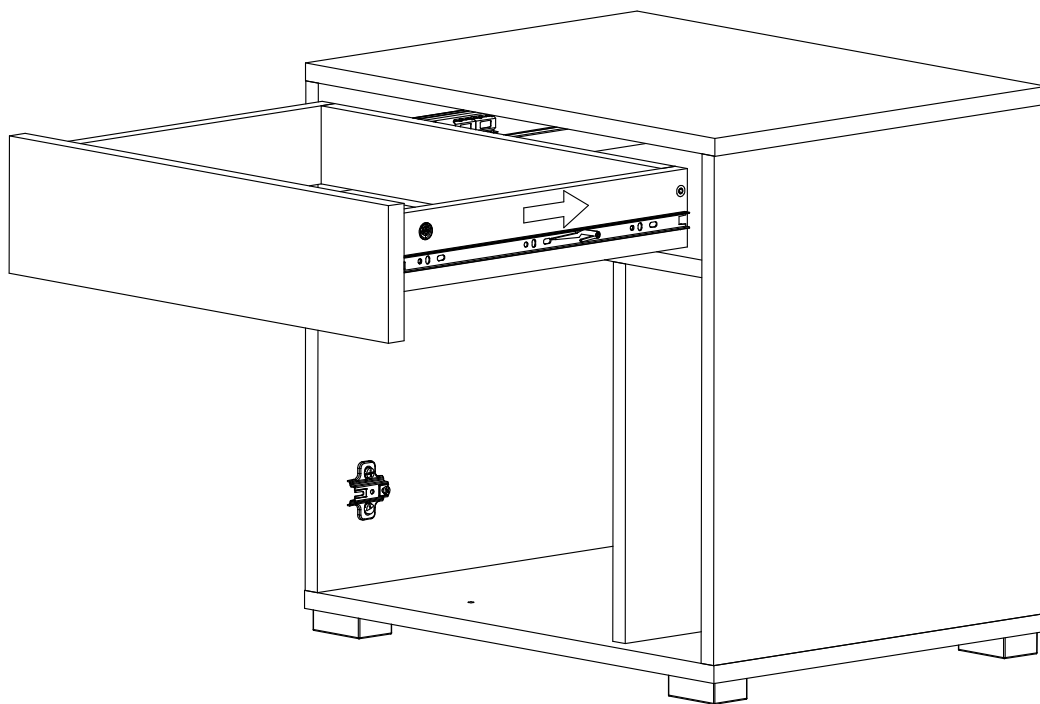
15.



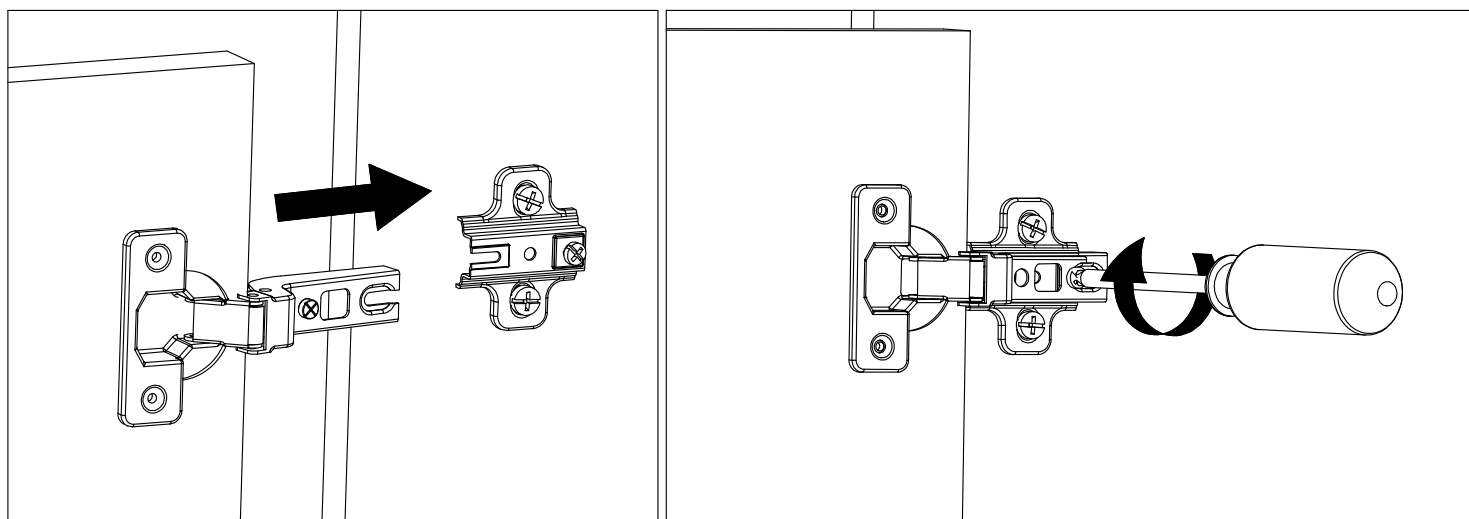
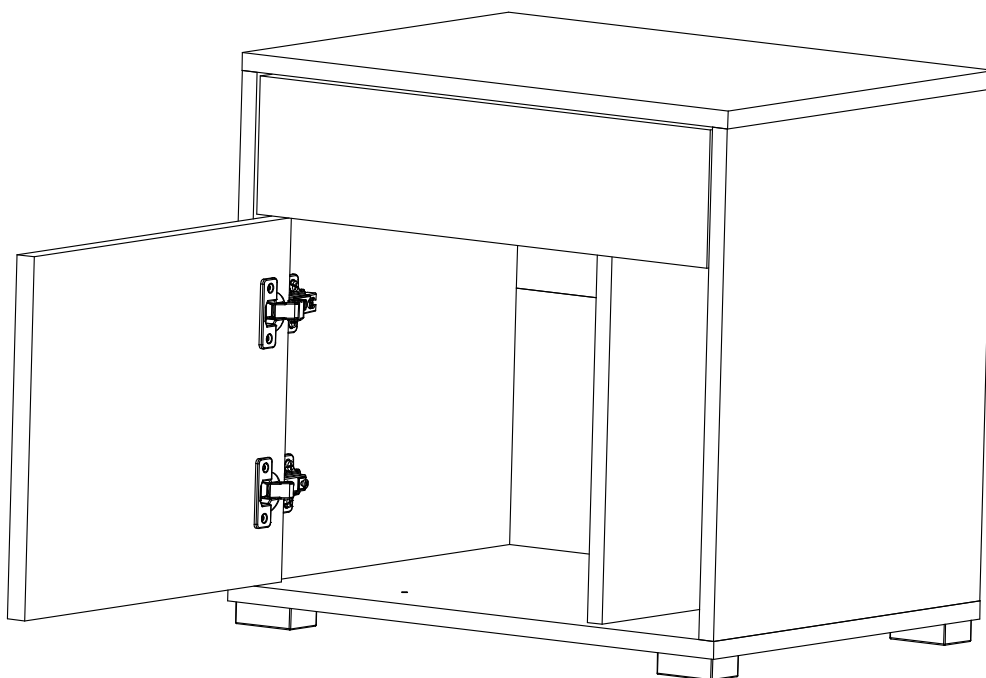
16.



17.

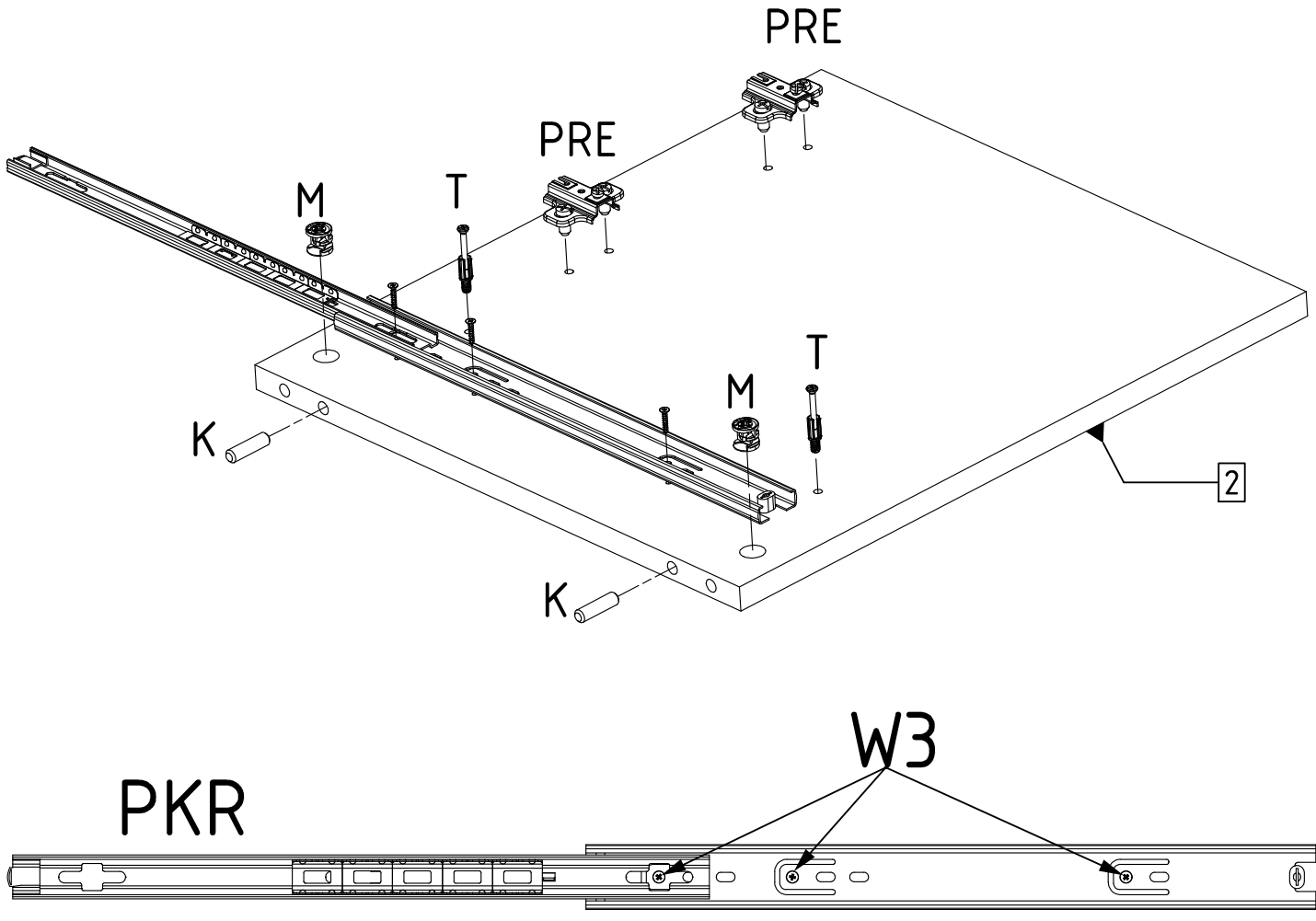
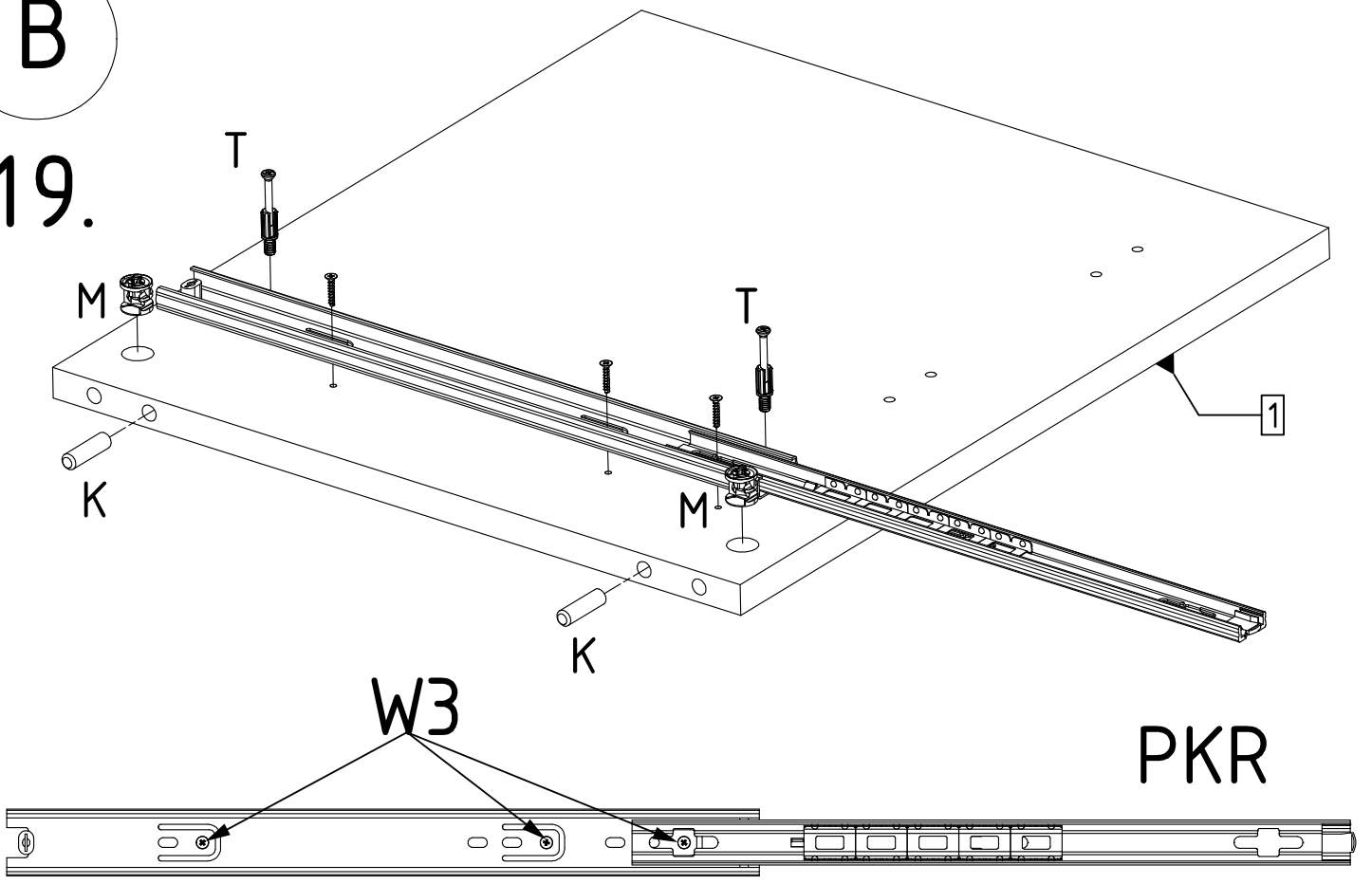


18.

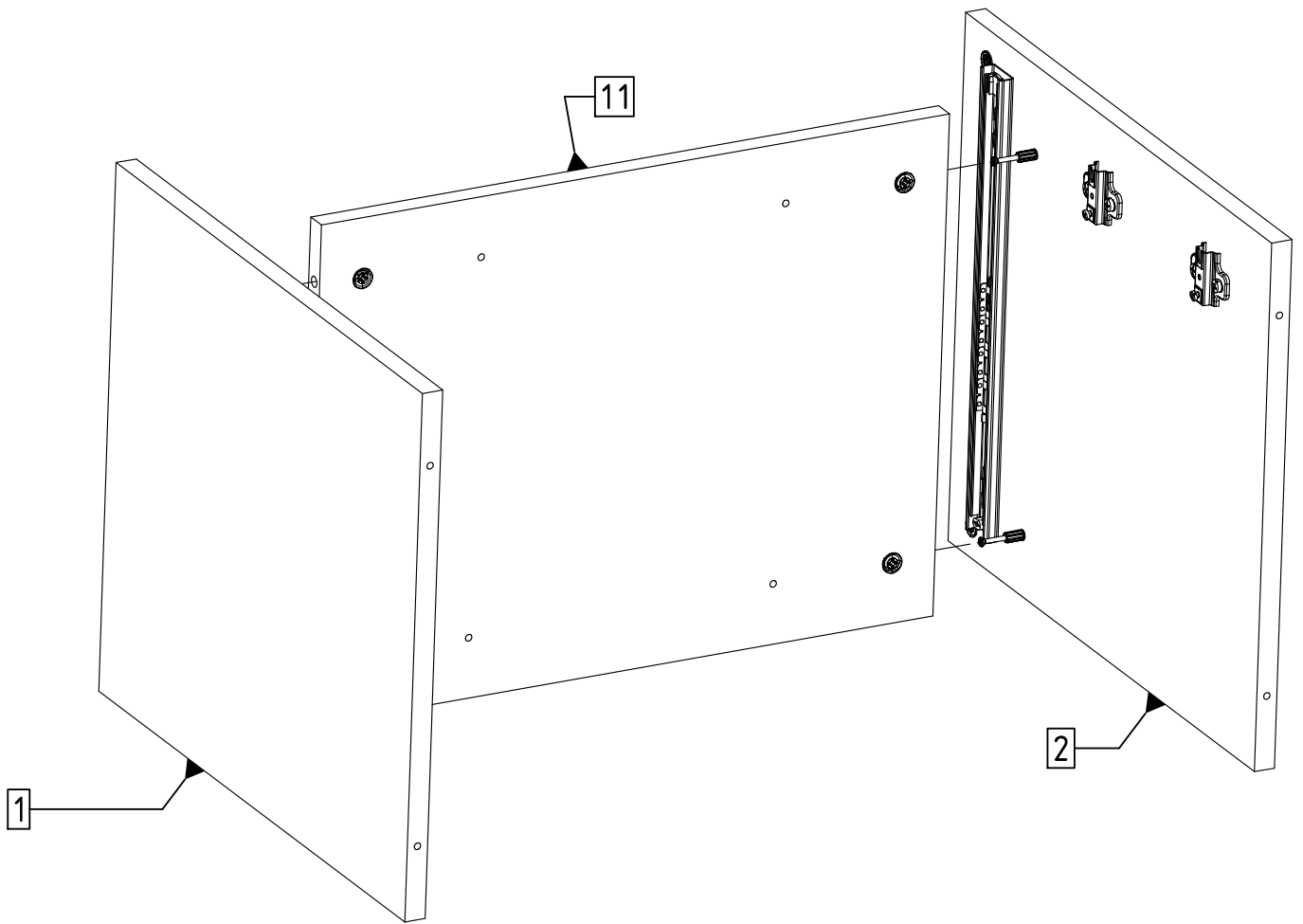


B

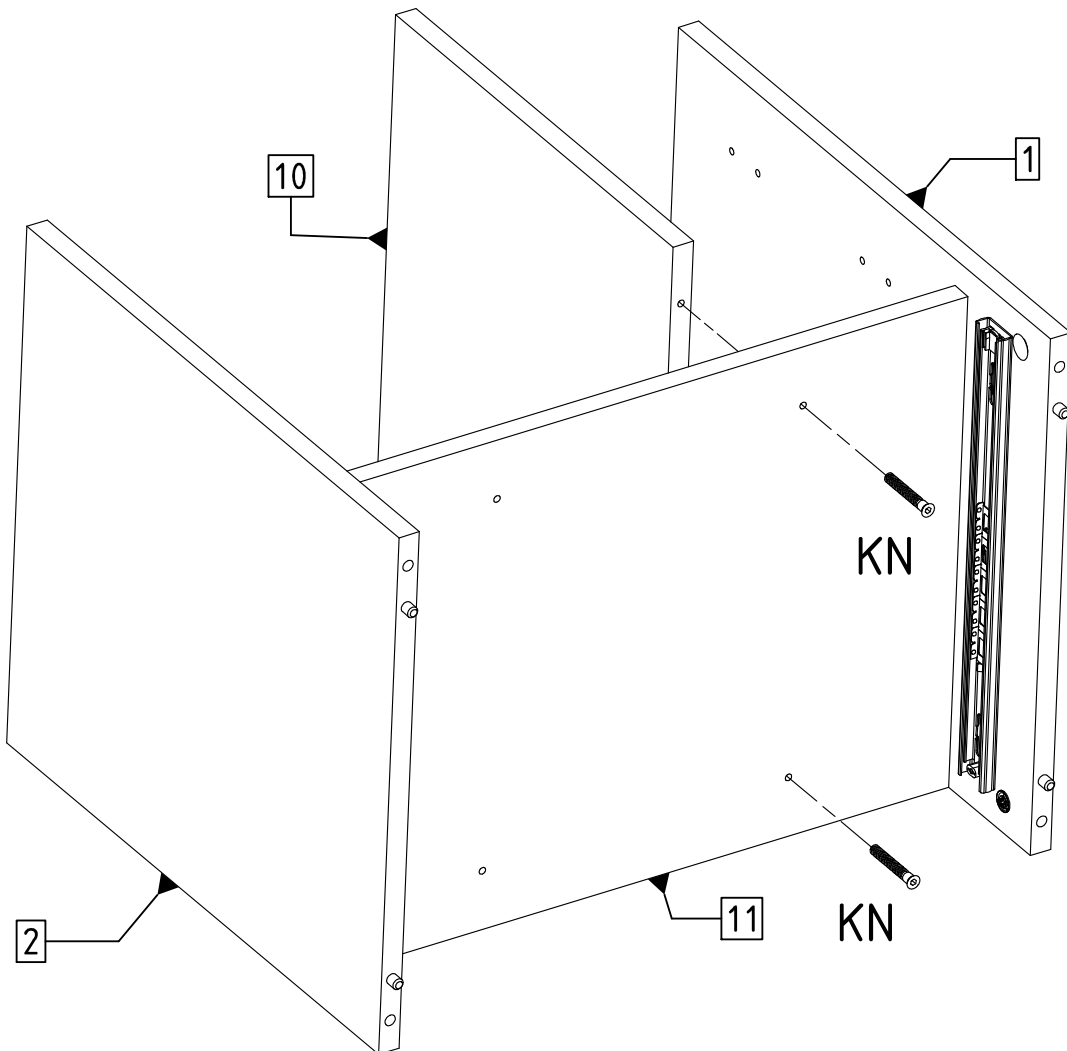
19.



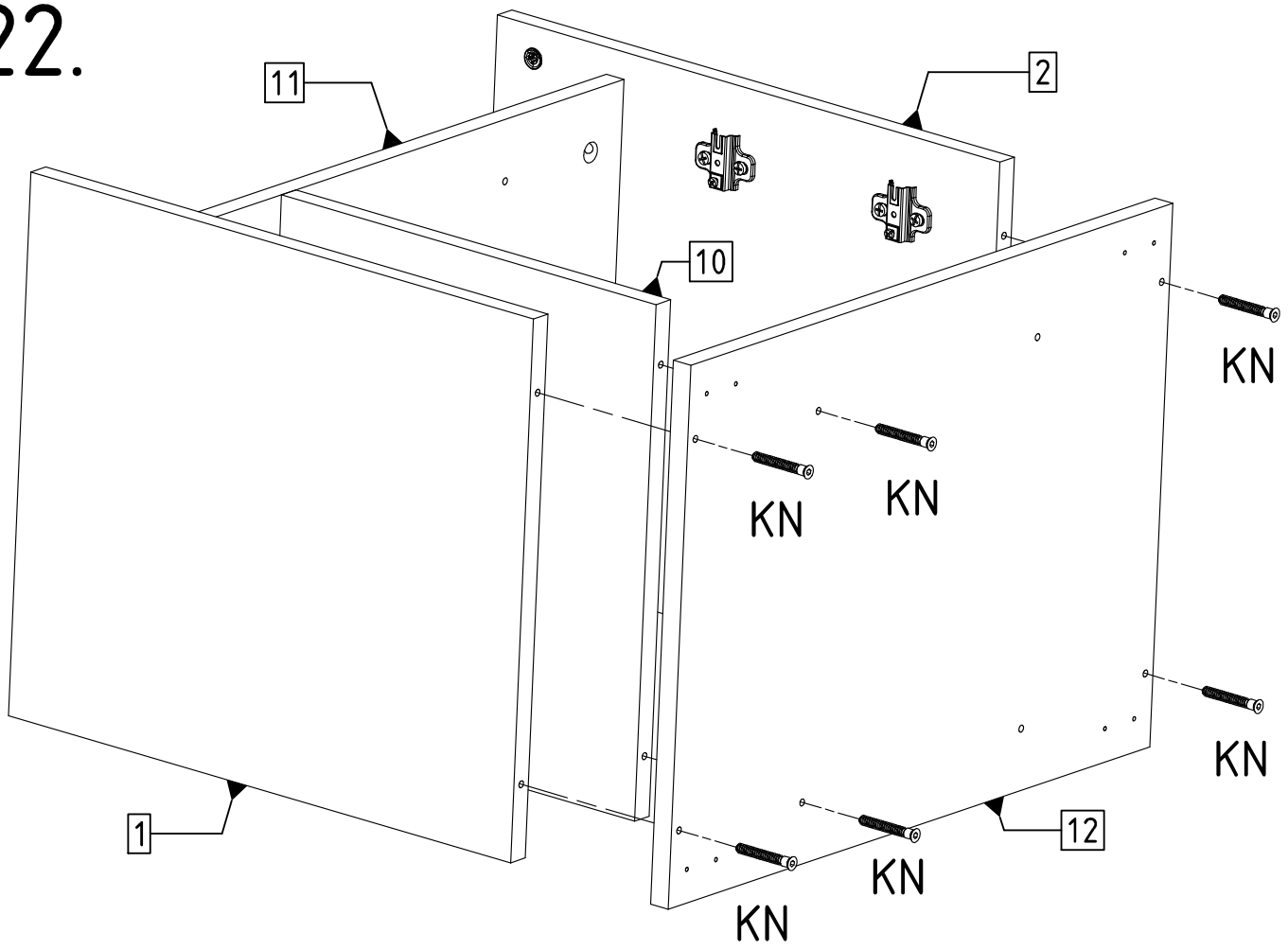
20.



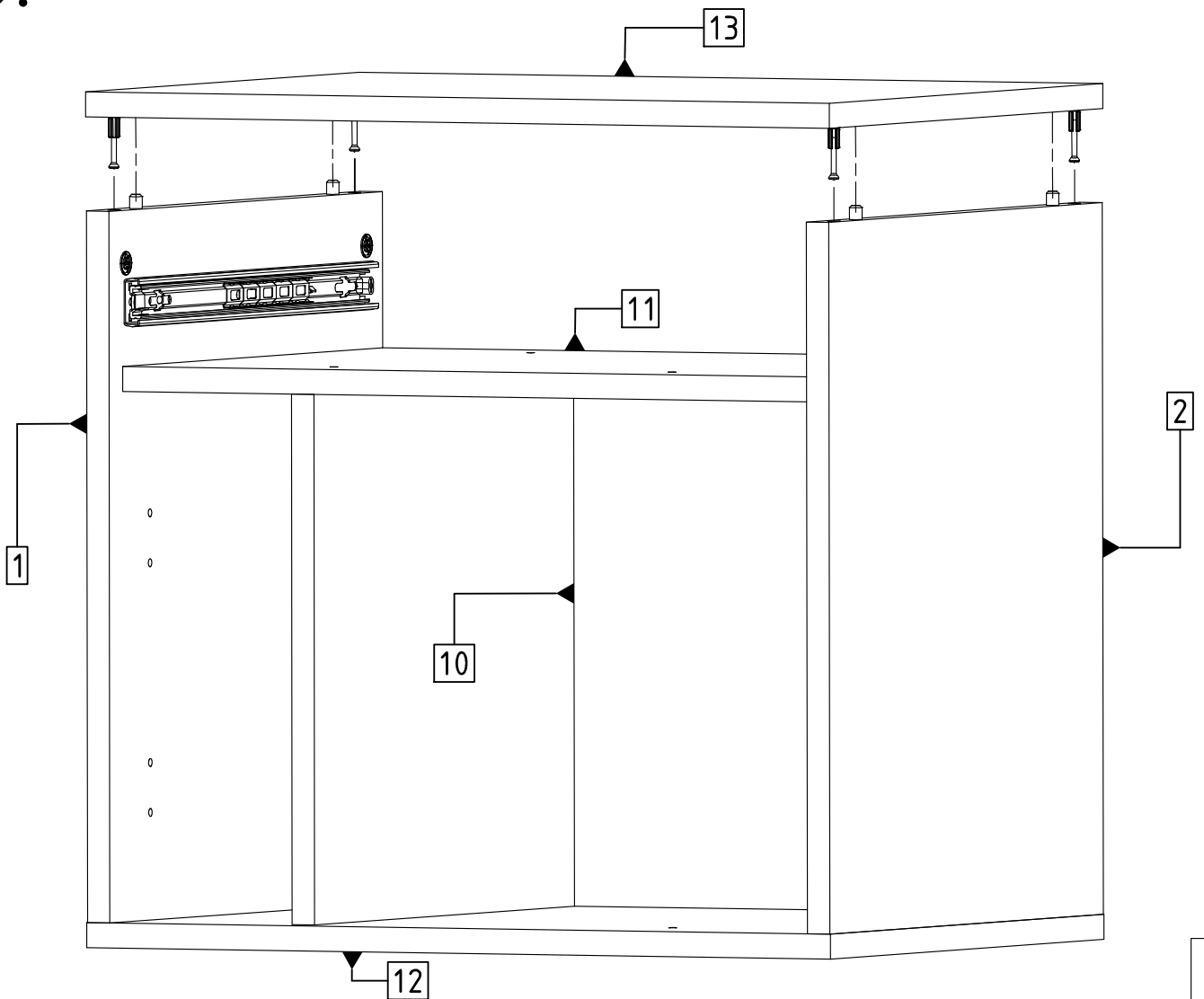
21.



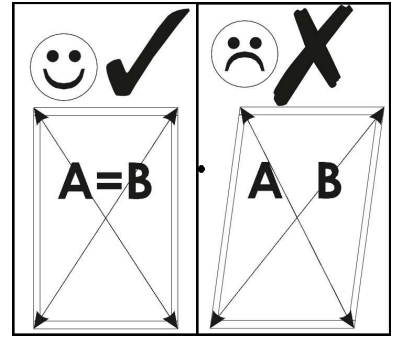
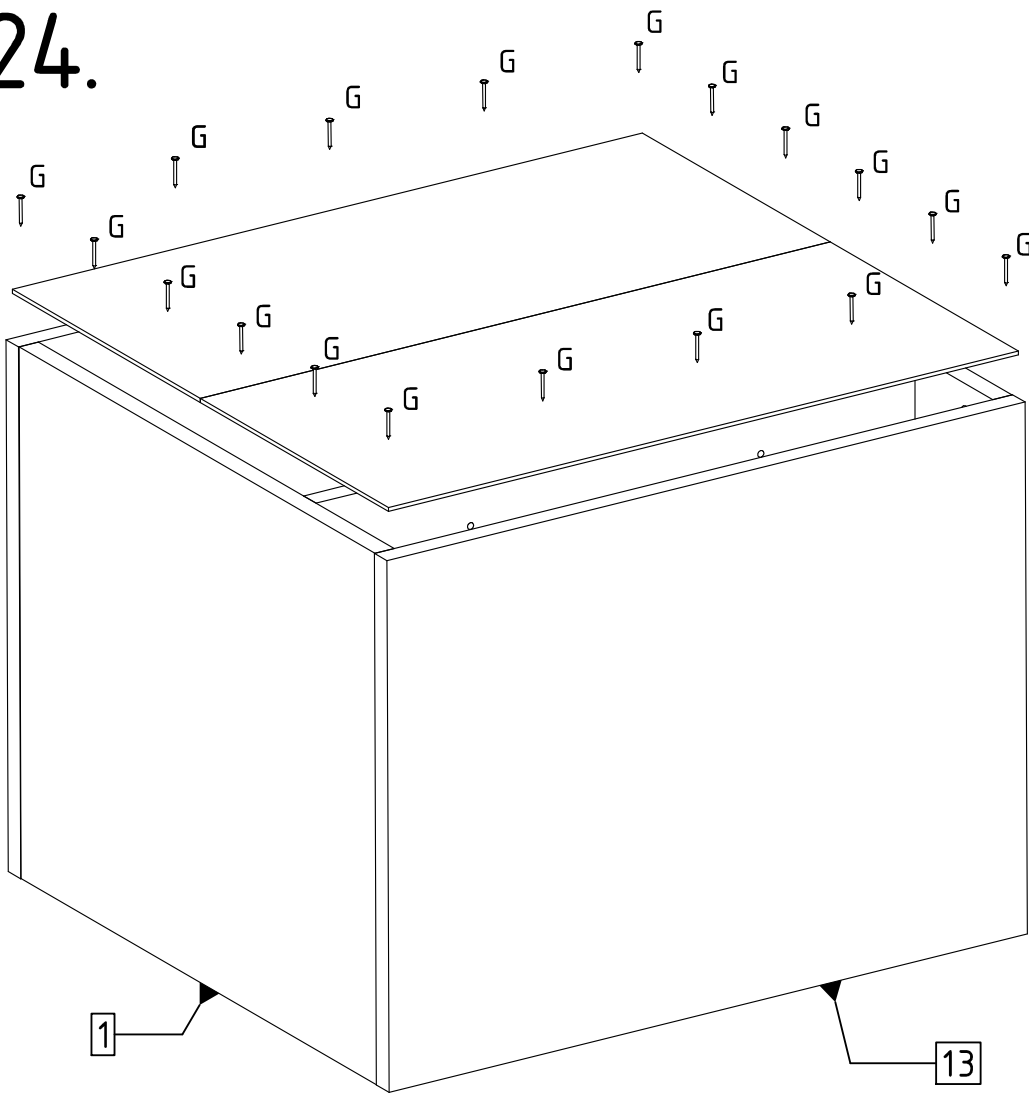
22.



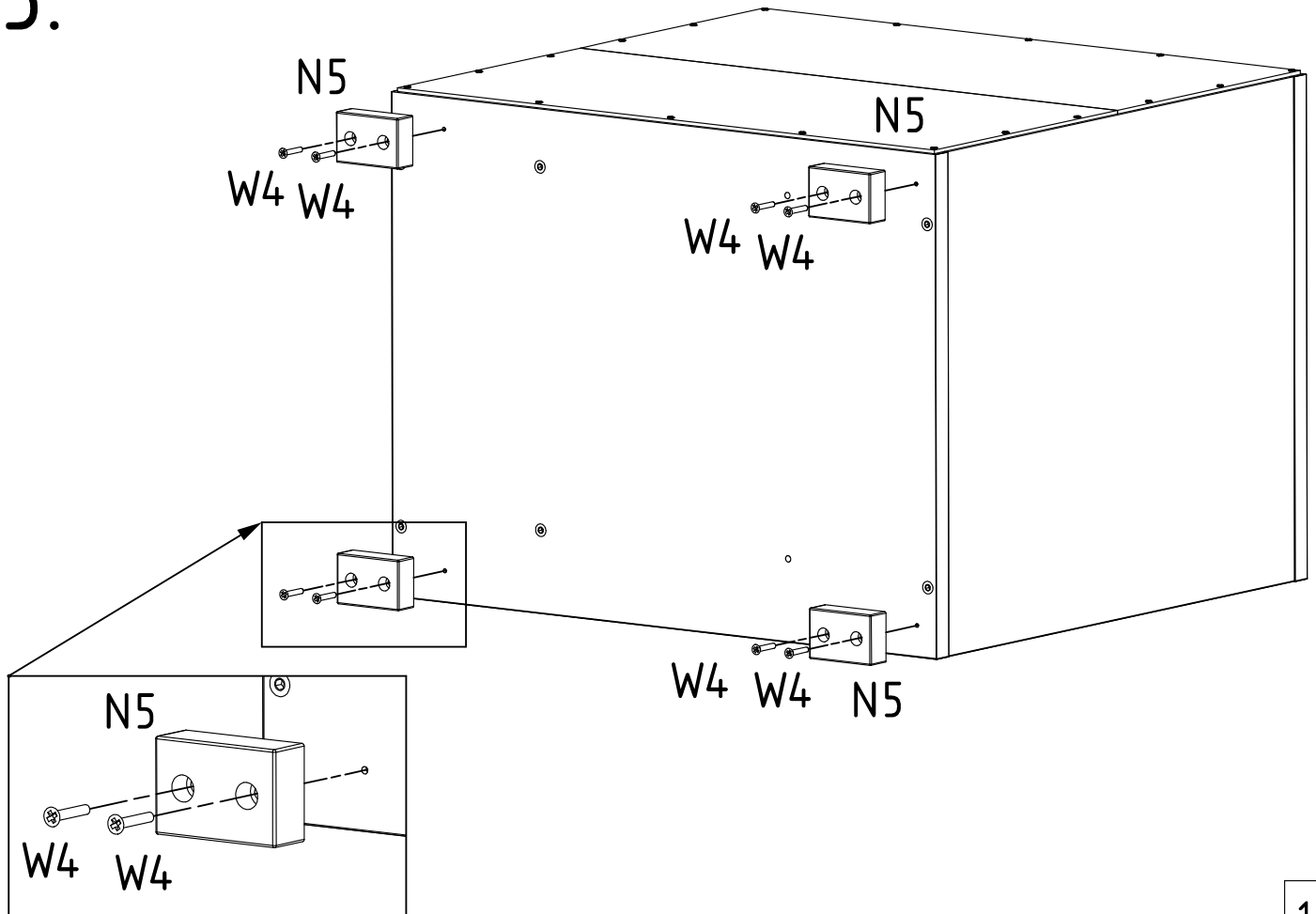
23.



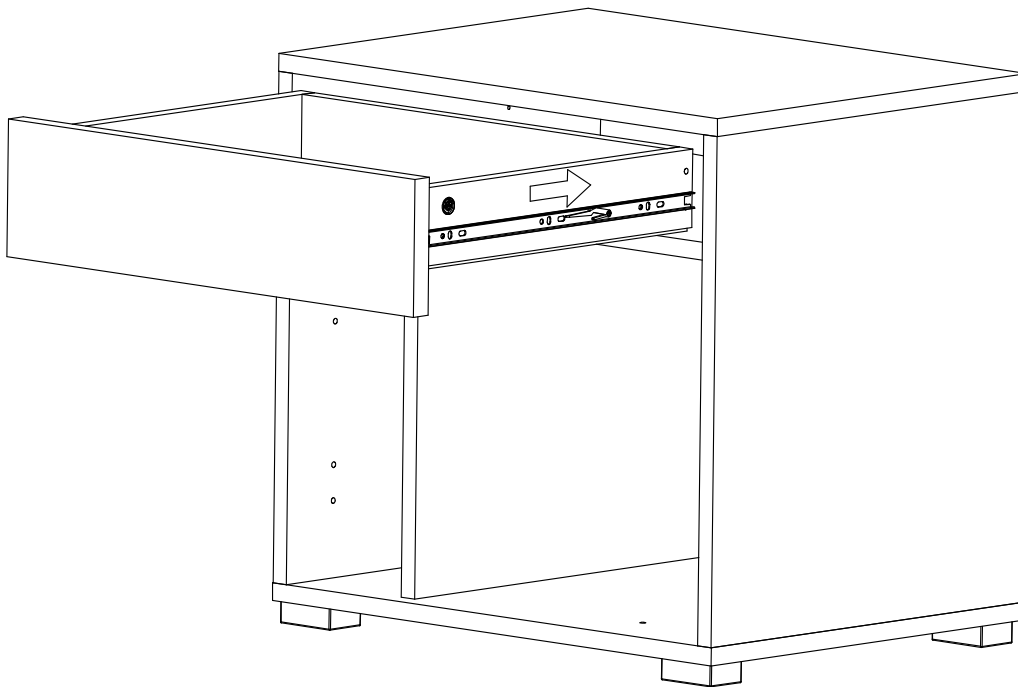
24.



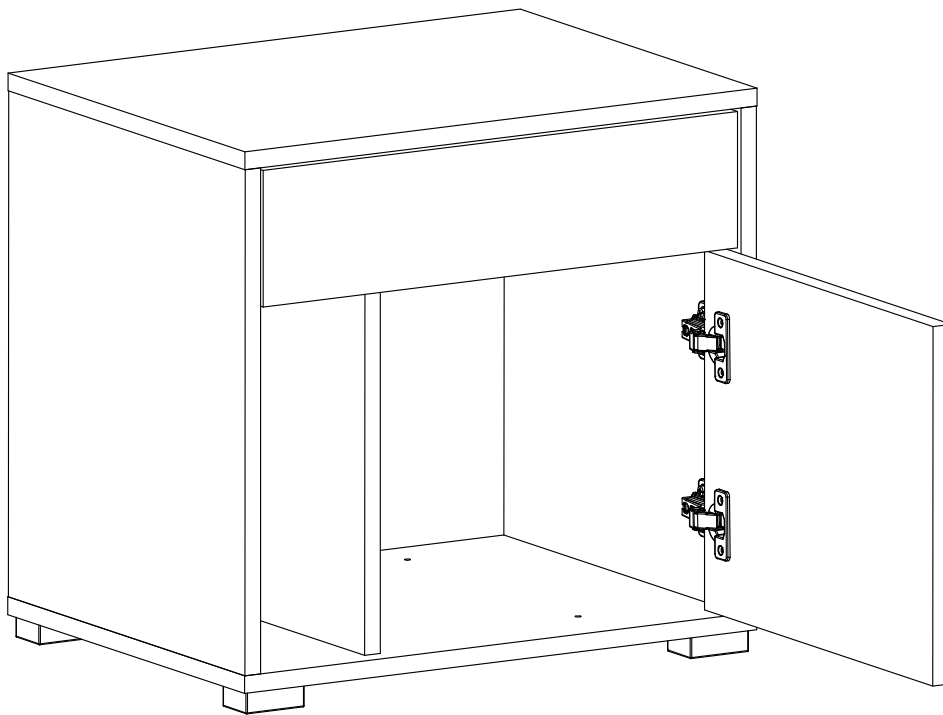
25.



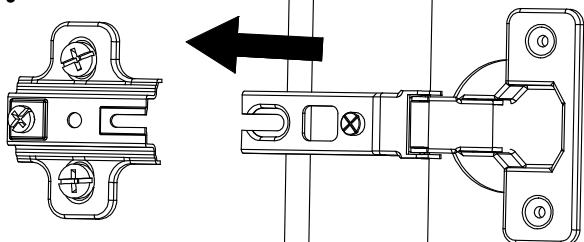
26.



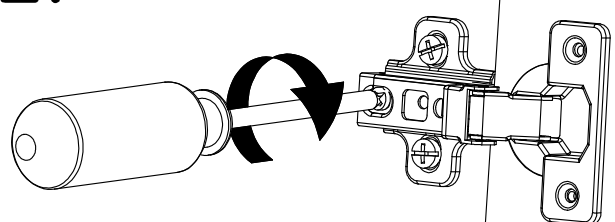
27.



1.



2.



max.
5kg

