

EVEL

EVEL04

OP-78

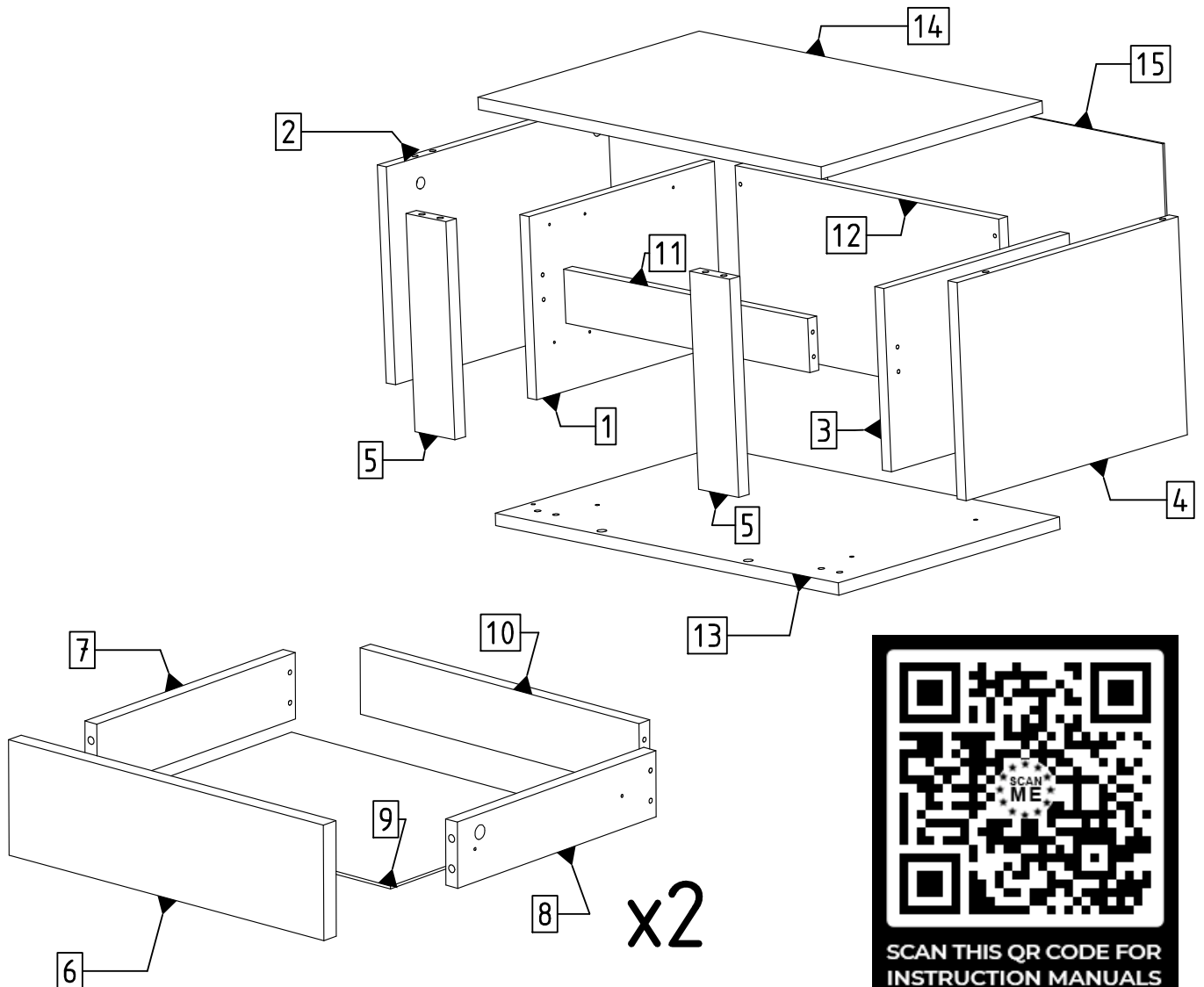
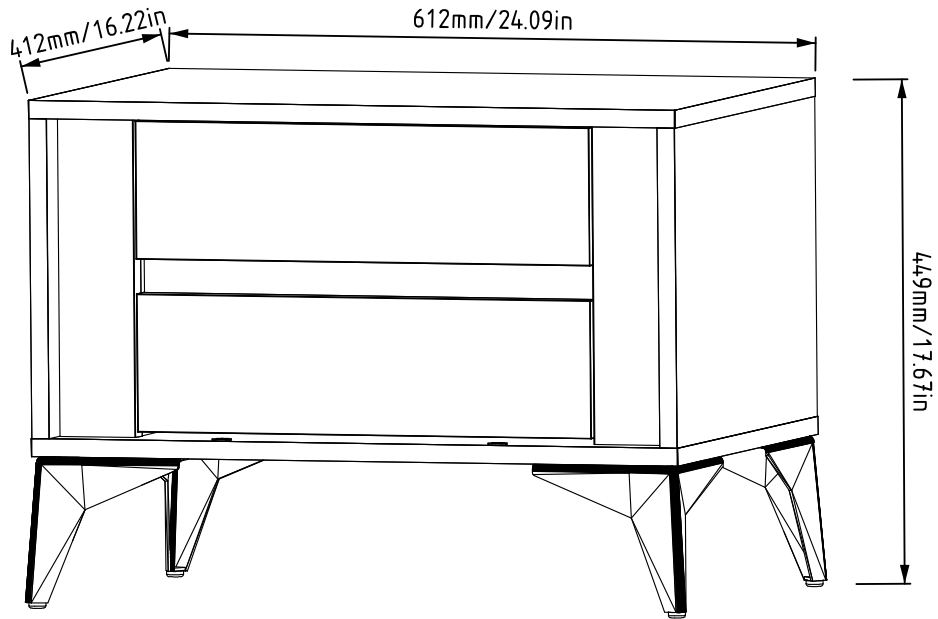
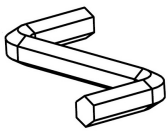
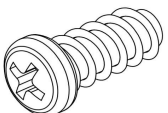
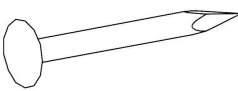
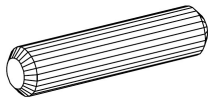
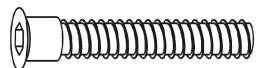

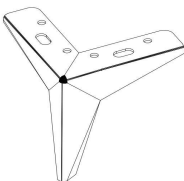
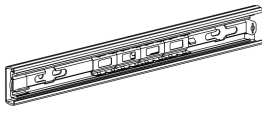
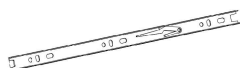
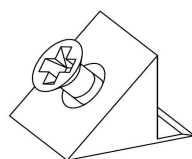
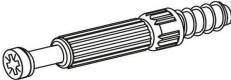
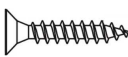
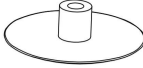
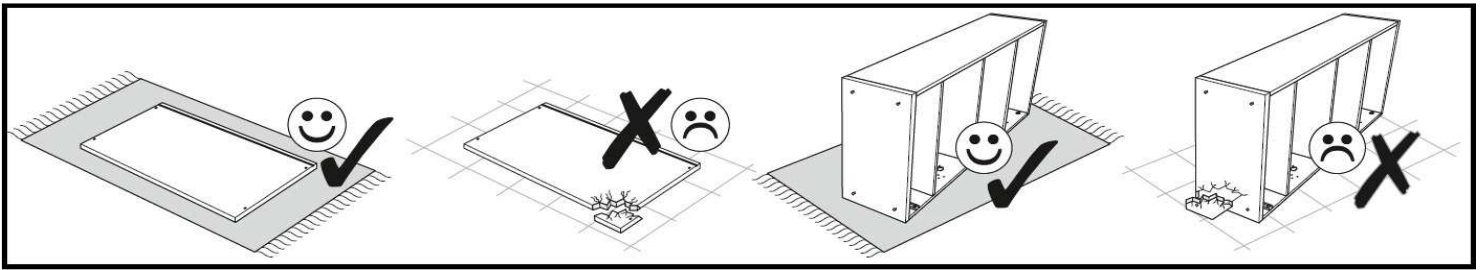


Table accessories

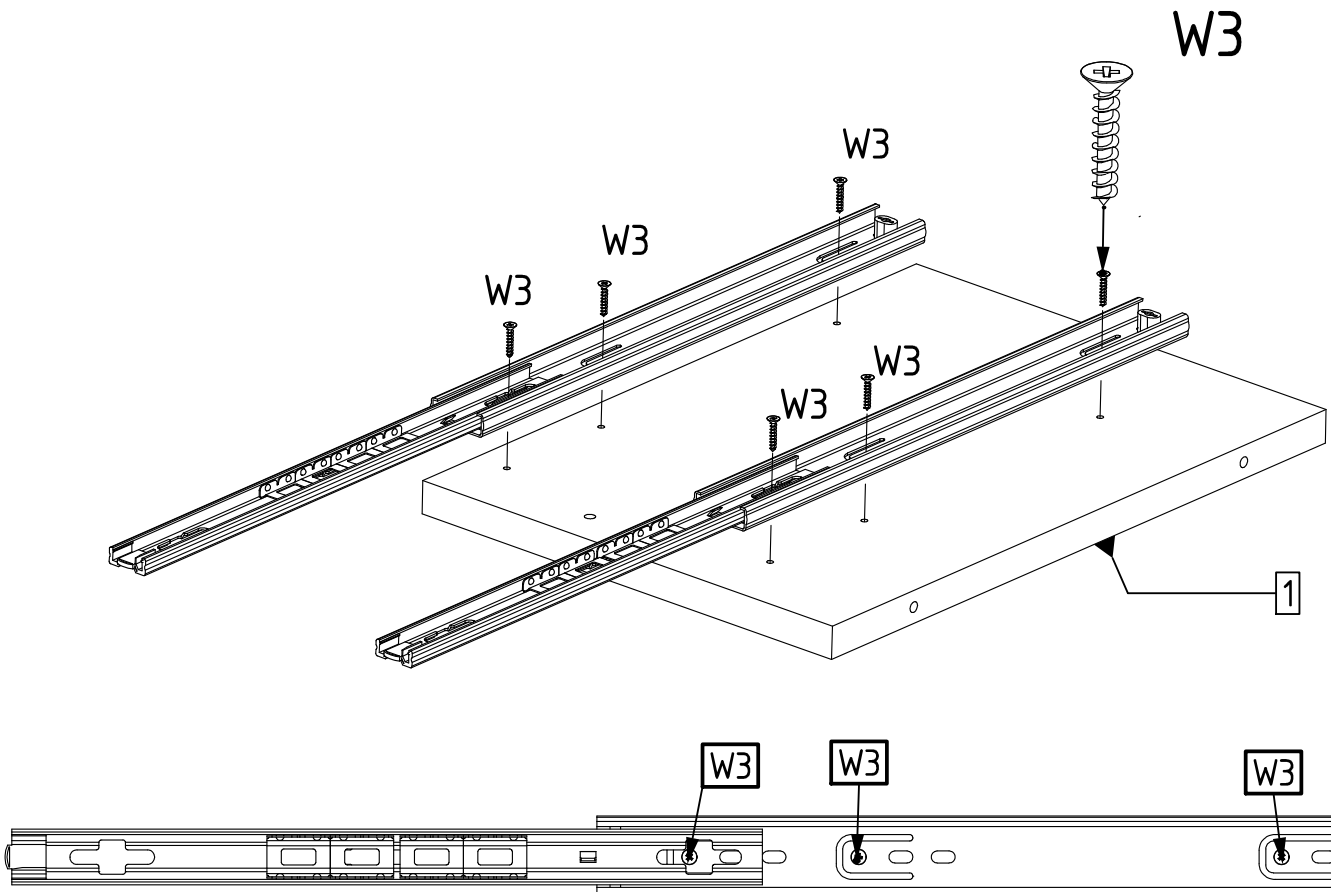
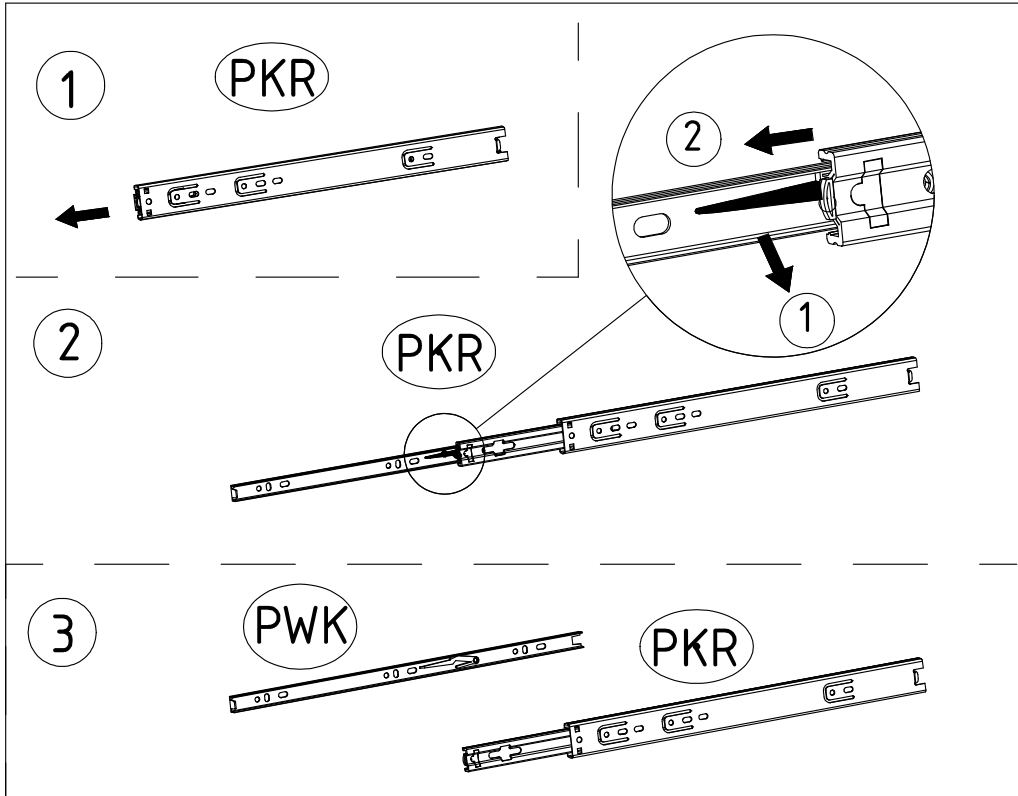
EVEL04

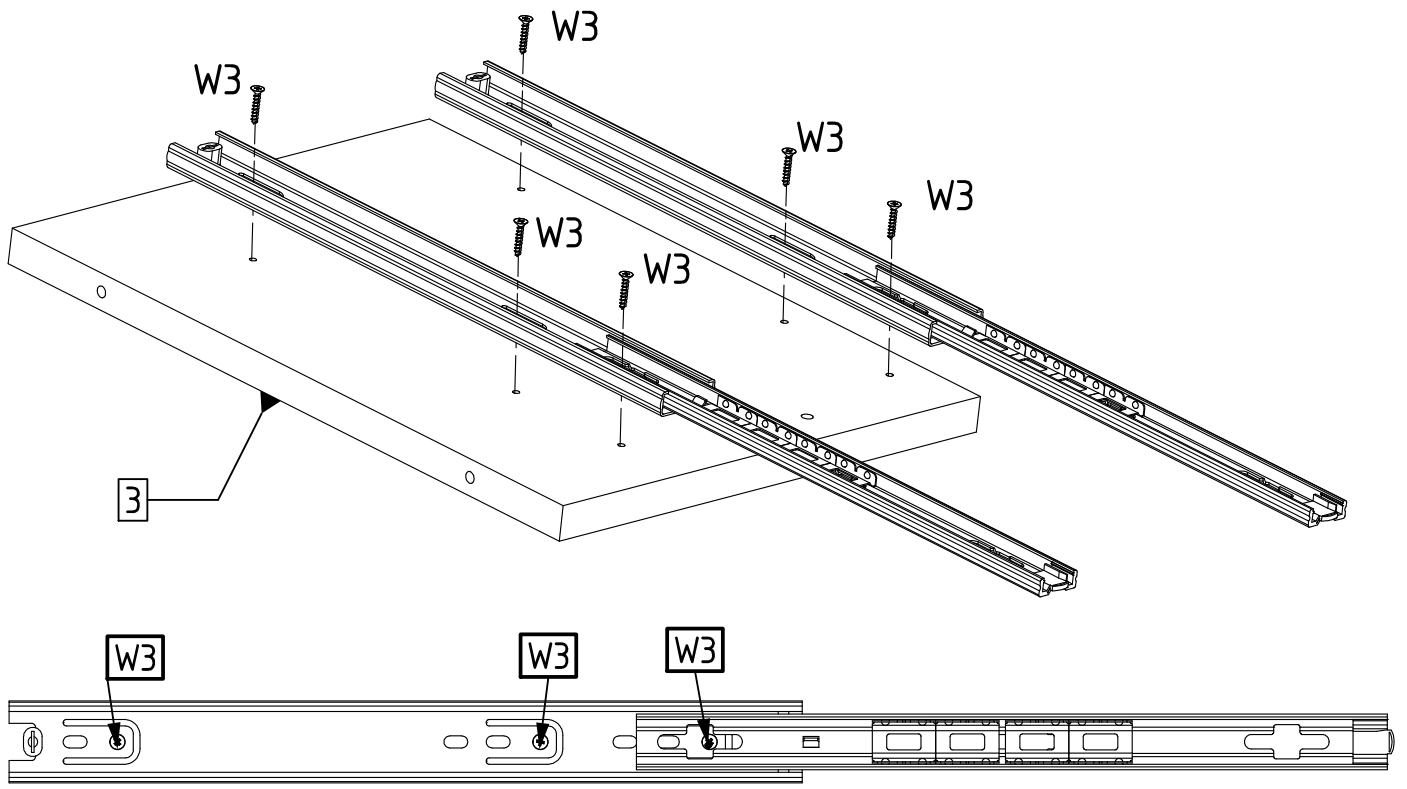
 A1	<p>6,3 X 13</p>  E13	 G	<p>8 x 30</p>  K	<p>6,3 X 50</p>  KN
<p>15 x 12</p>  M	 NG	<p>L300</p>  PKR	<p>L300</p>  PWK	 ST
<p>6 x 34 mm</p>  T	<p>3 x 16mm</p>  W3	 Z		

Elements				Accessories	
SYMBOL	LENGTH	WIDTH	QUANTITY	SYMBOL	QUANTITY
BL2[1]	335	238	1	A1	1
BL[2]	400	283	1	E13	12
BP2[3]	335	238	1	G	40
BP[4]	400	283	1	K	16
CB[5]	283	70	2	KN	24
FTS[6]	421	122	2	M	8
KBL[7]	302	70	2	NG	4
KBP[8]	302	70	2	PKR [L-300]	4
KD[9]	401	306	2	PWK [L-300]	4
KT[10]	373	70	2	ST	4
LC[11]	427	70	1	T	8
PC (15)	593	309	1	W3	20
PT[12]	461	238	1	Z	8
WD[13]	600	400	1		
WG[14]	600	400	1		

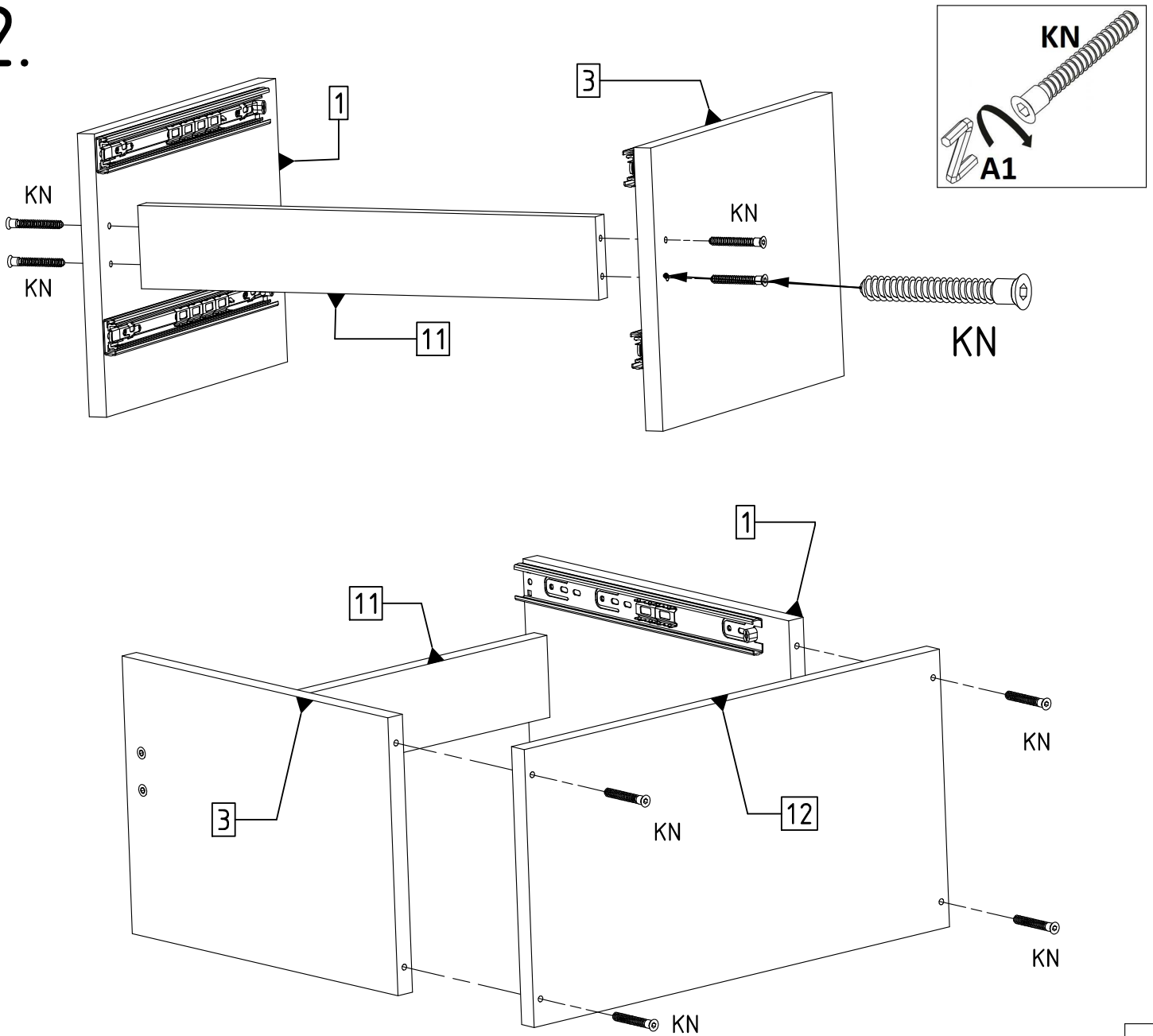


1.

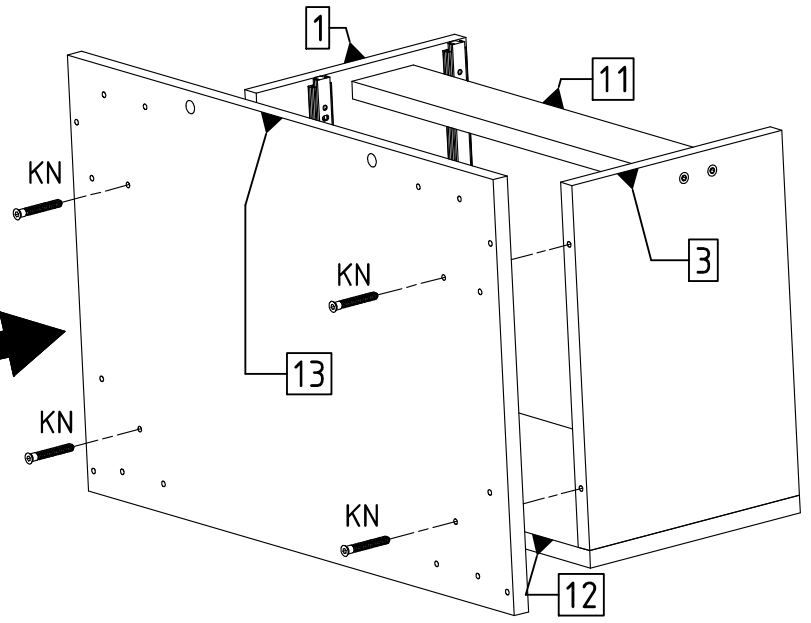
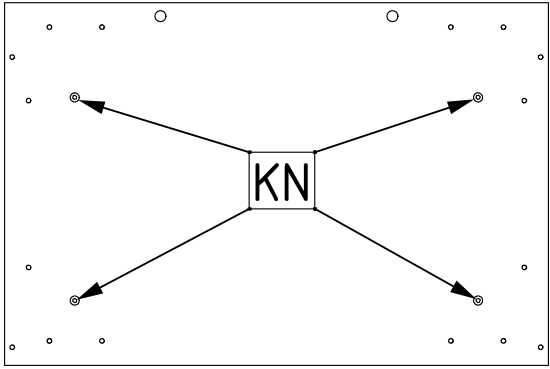




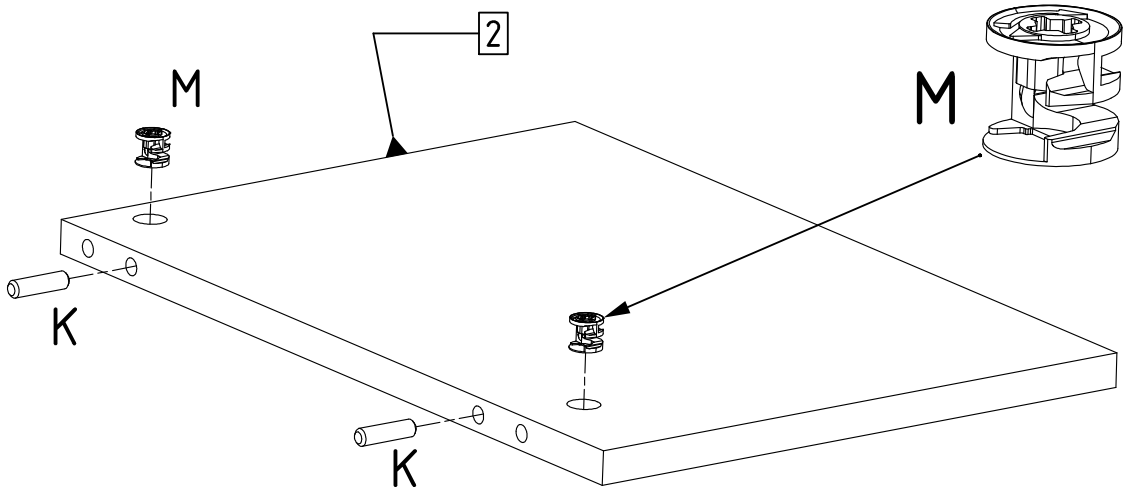
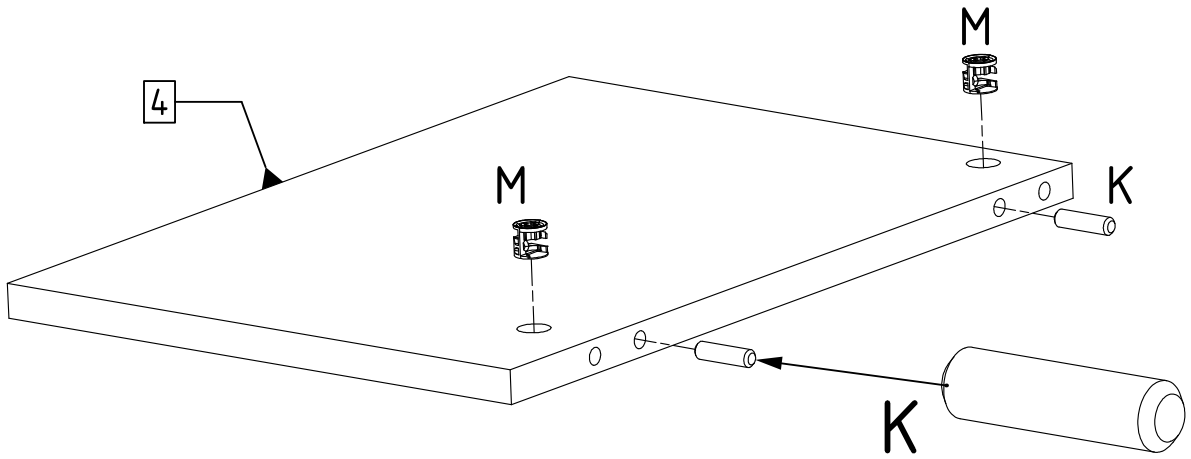
2.



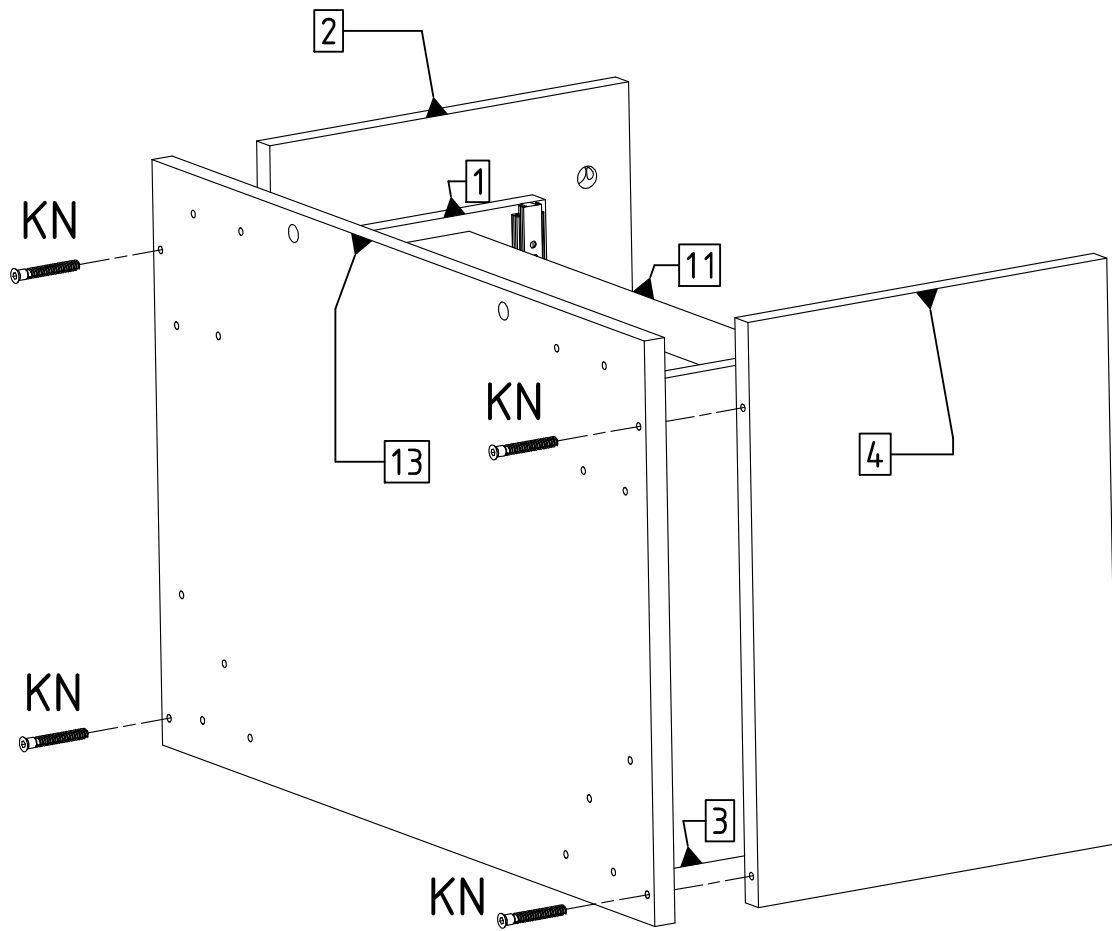
3.



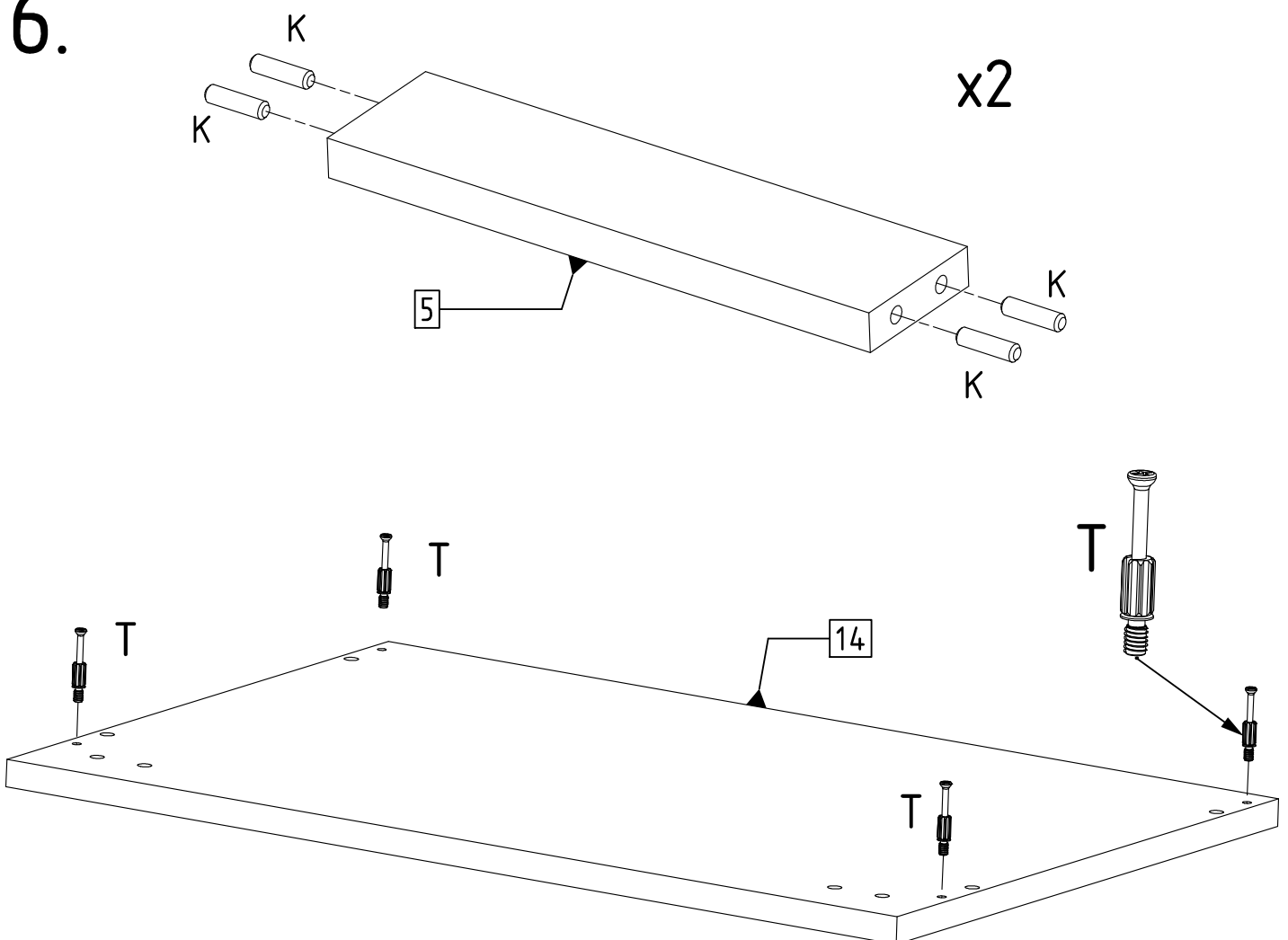
4.



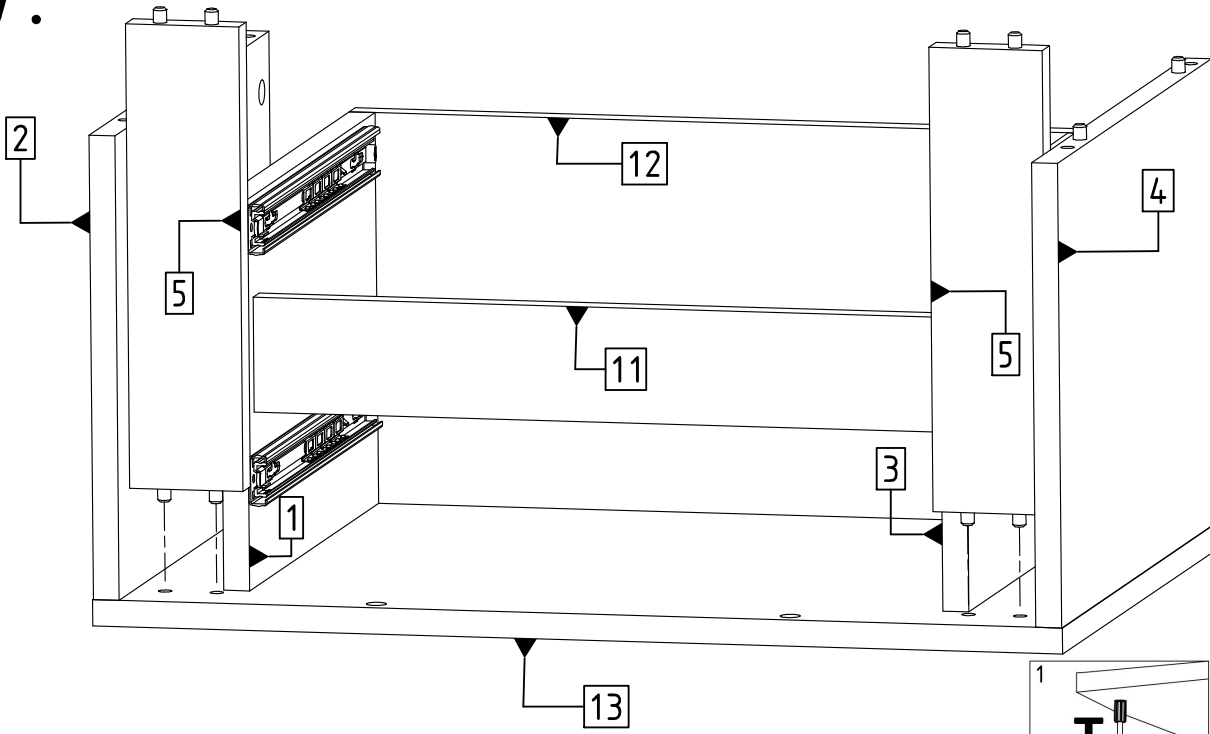
5.



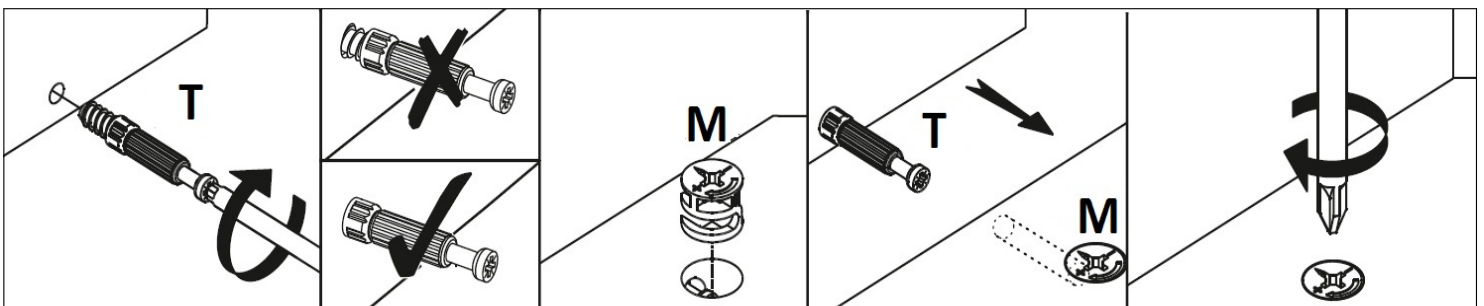
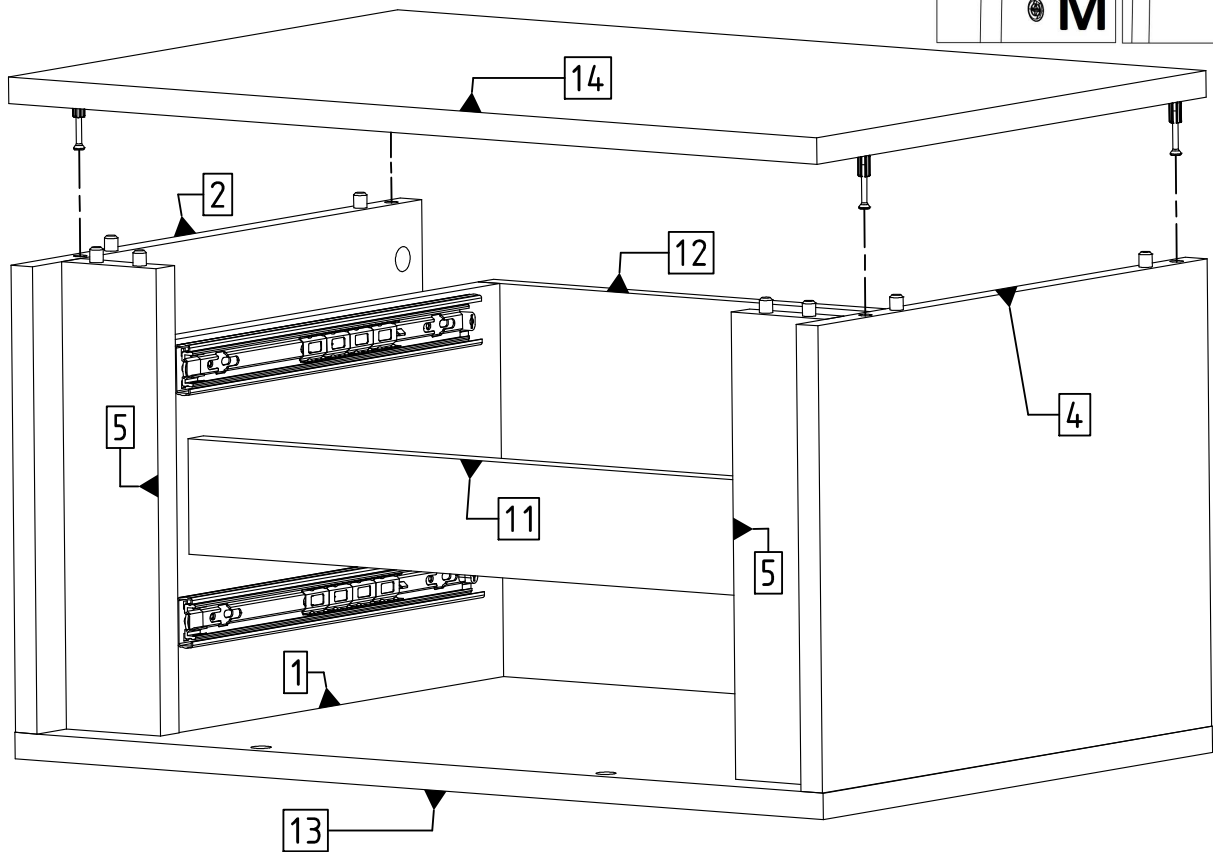
6.



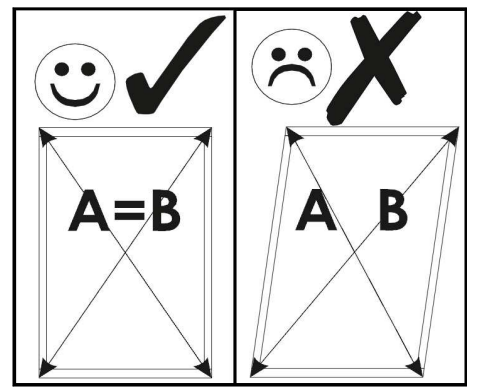
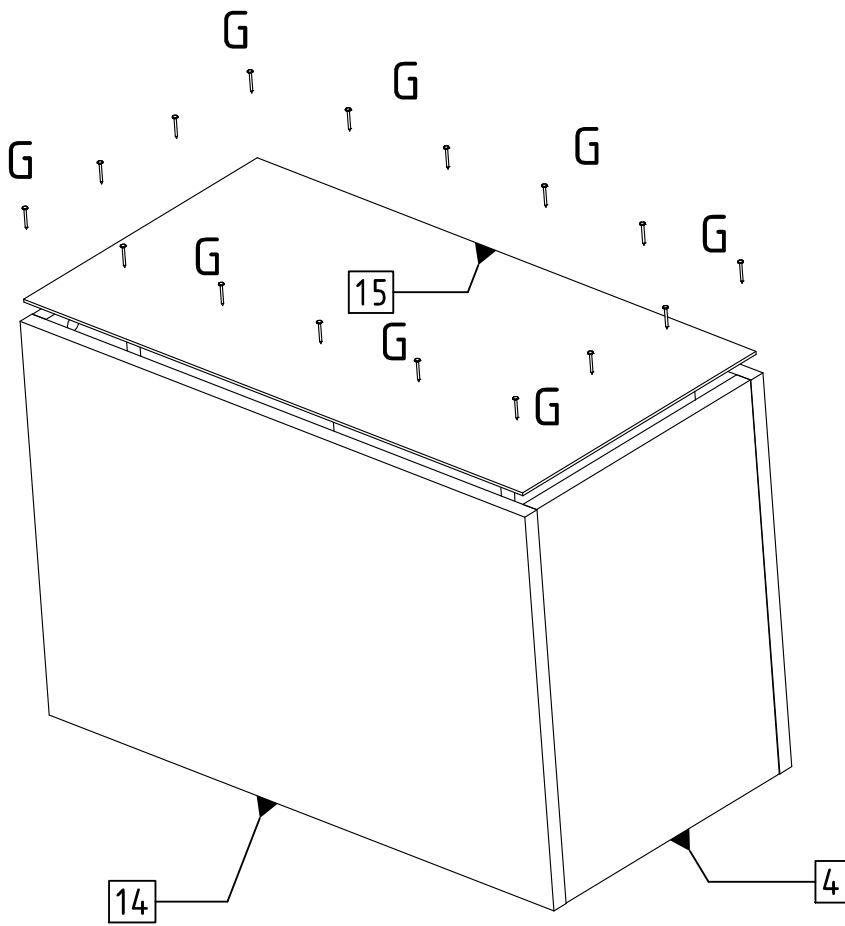
7.



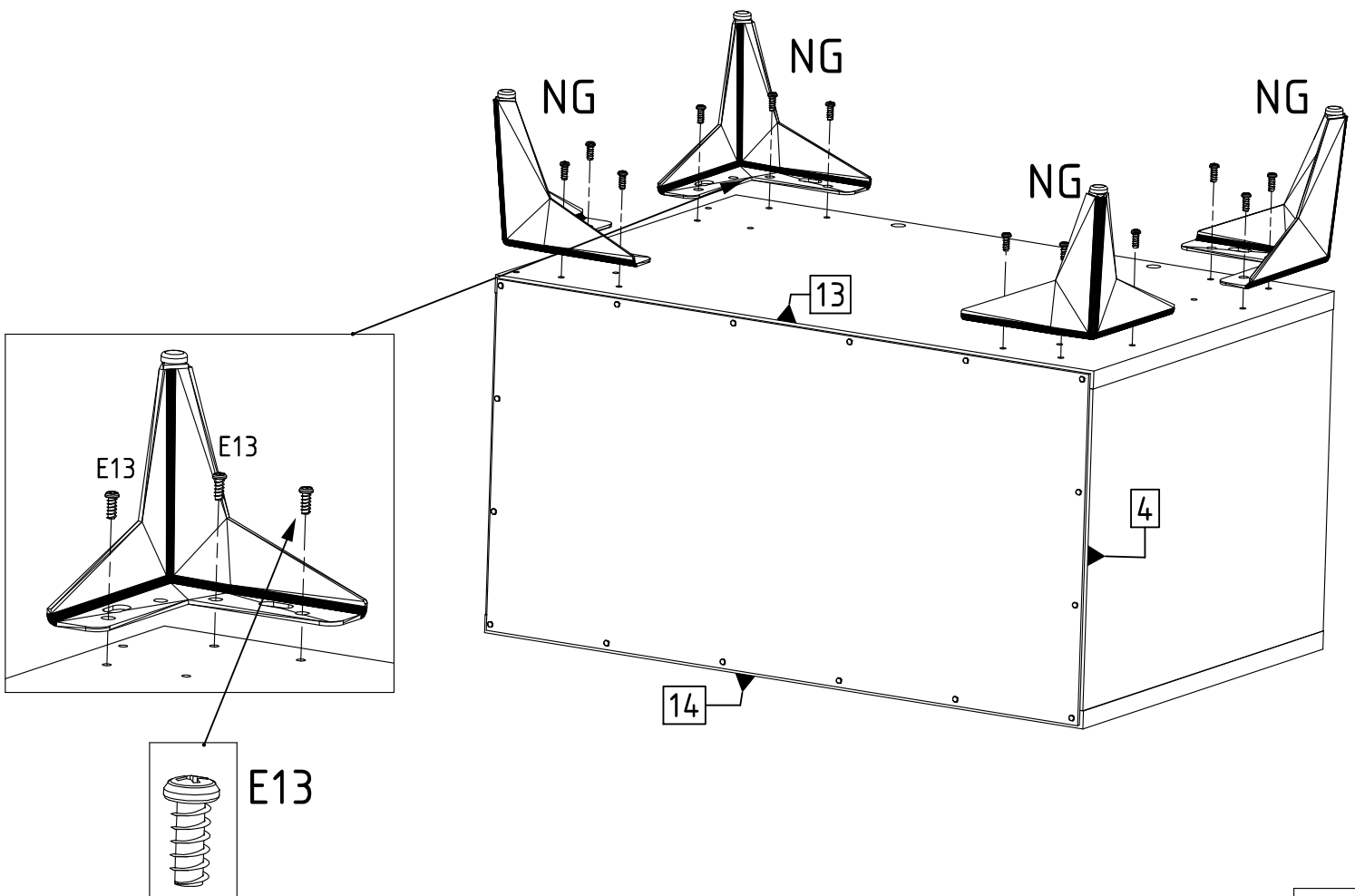
8.



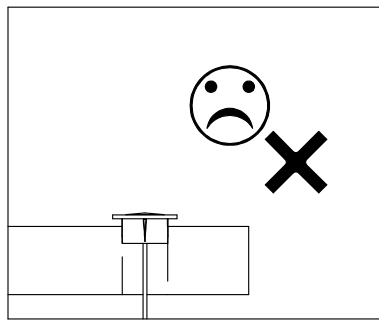
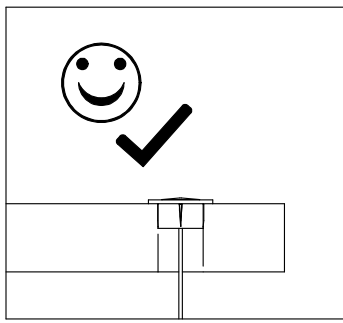
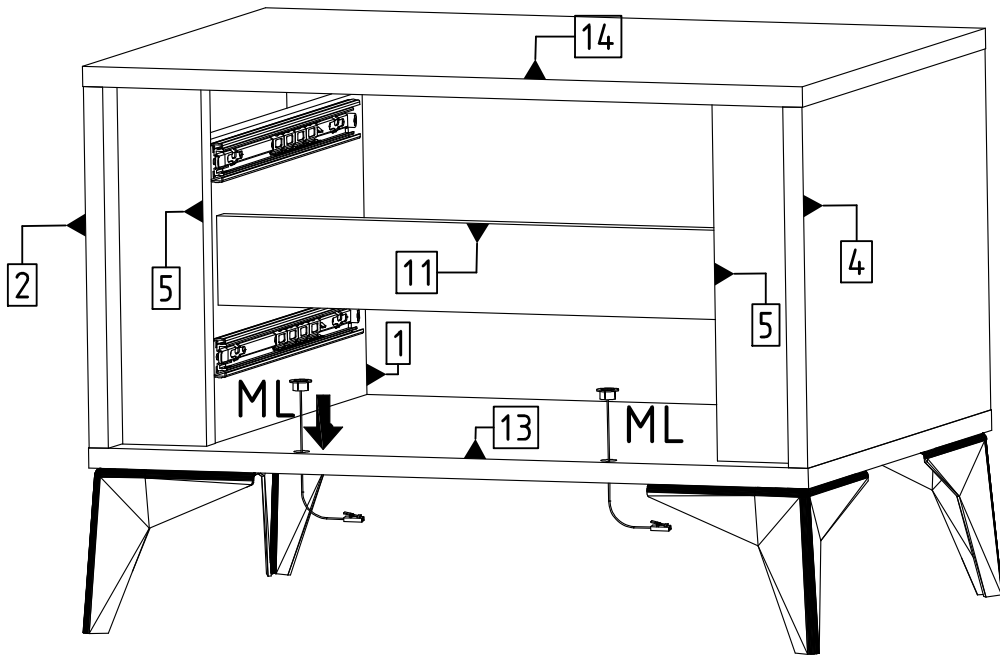
9.



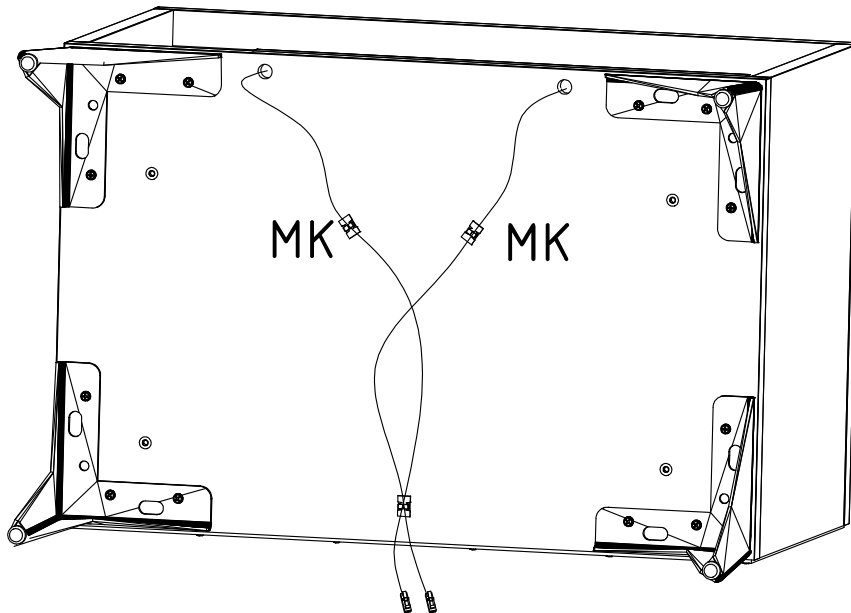
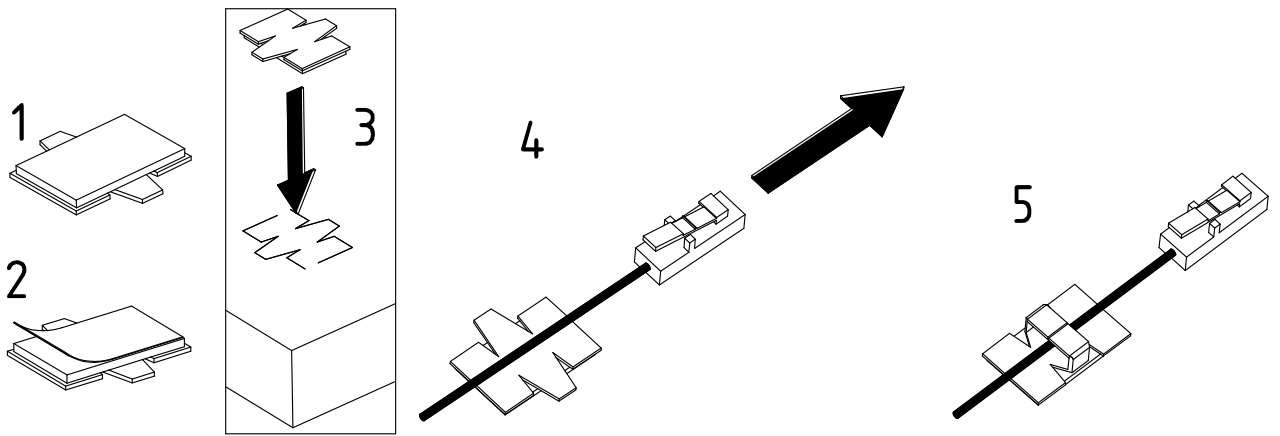
10.



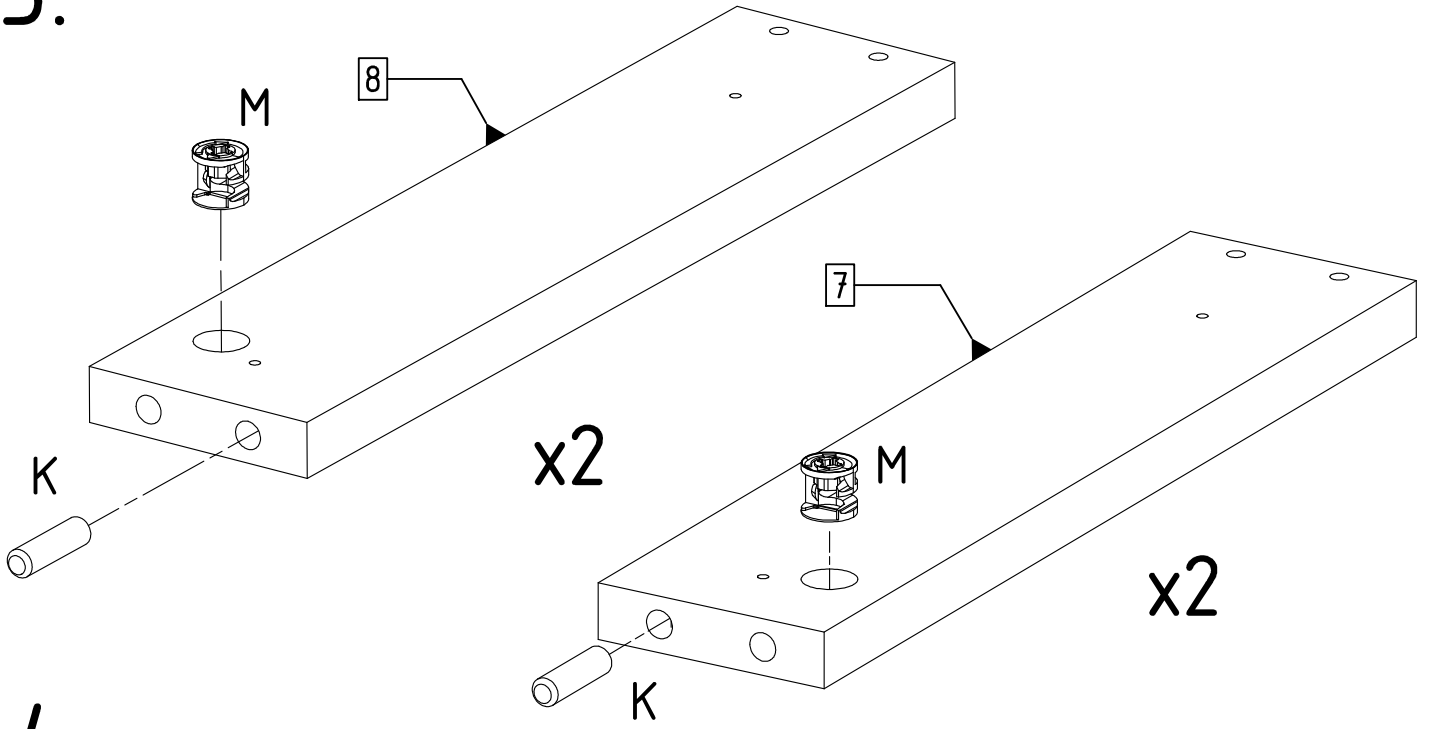
11.



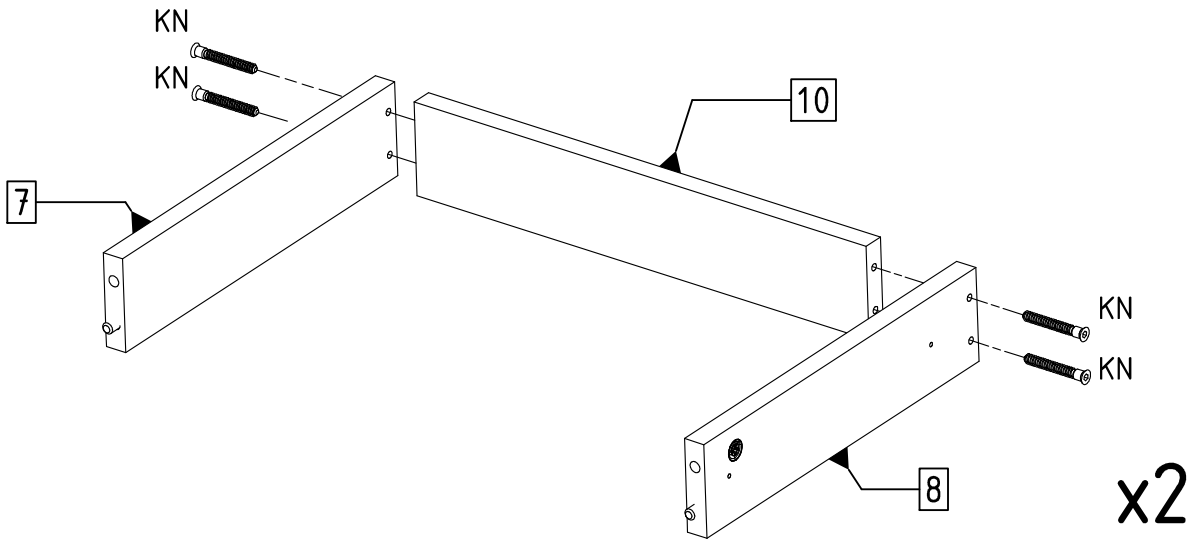
12.



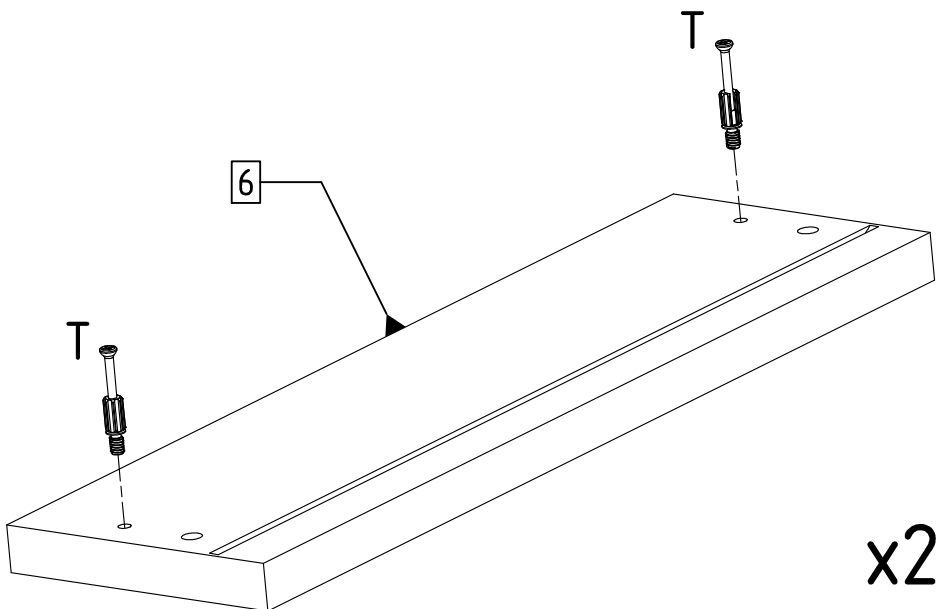
13.



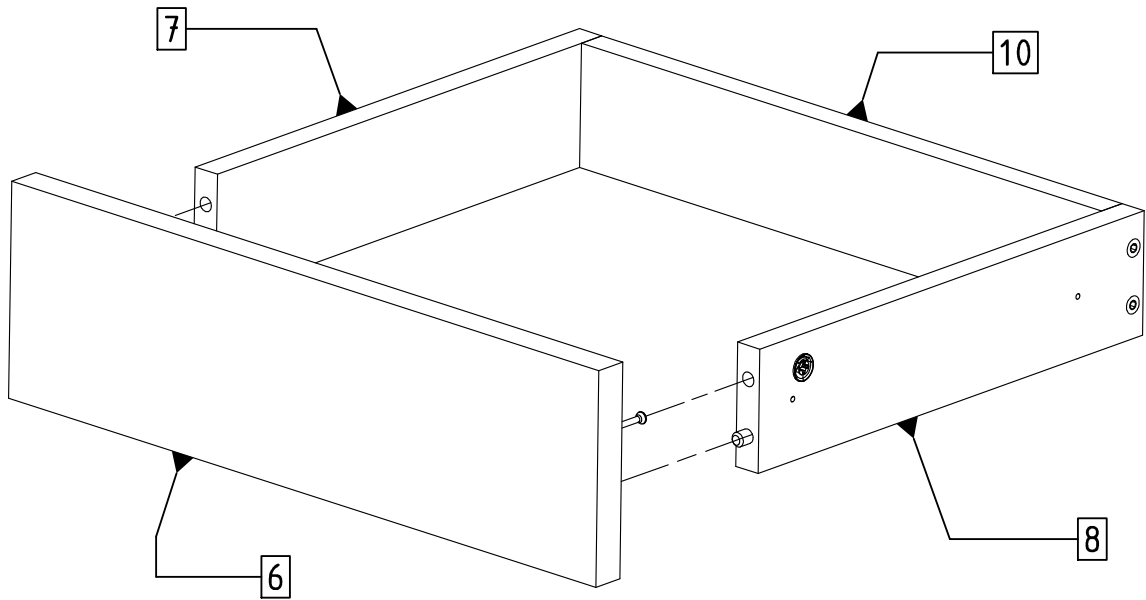
14.



15.

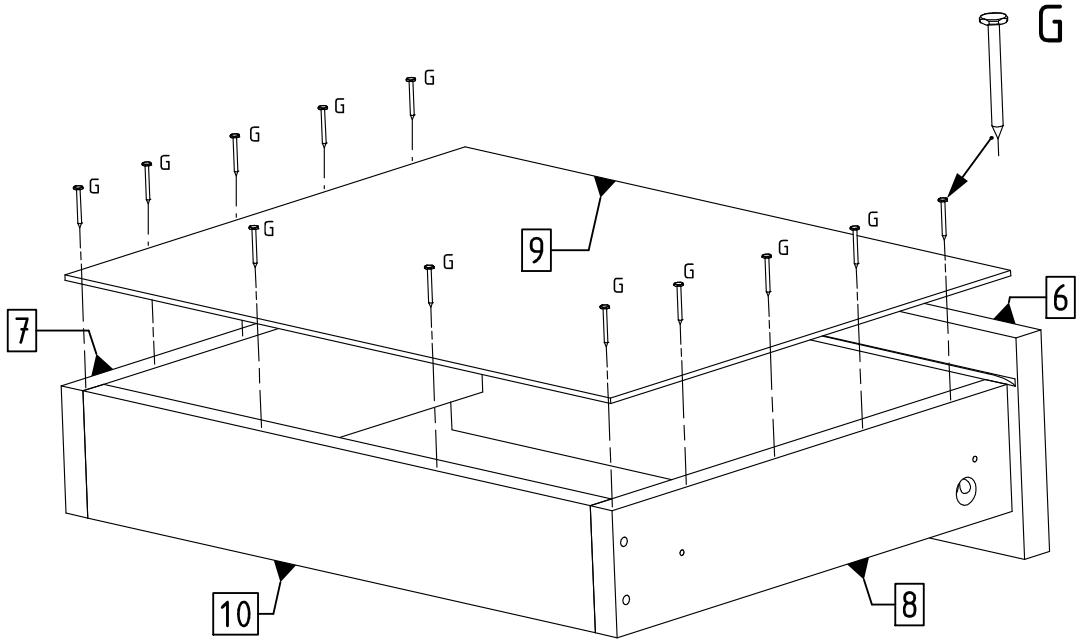


16.



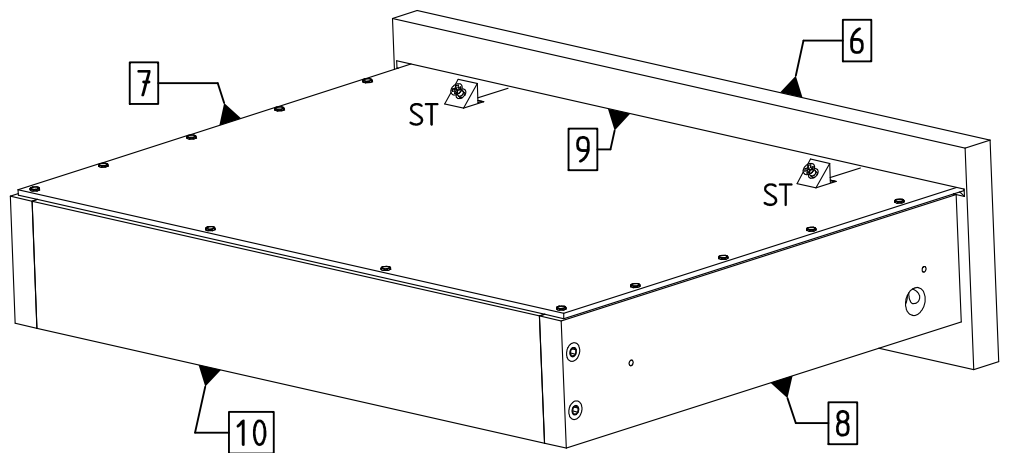
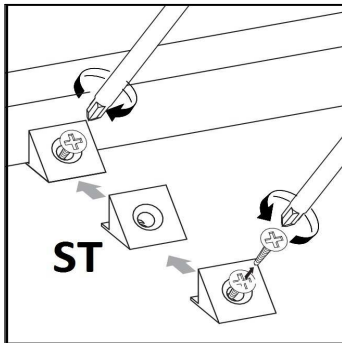
x2

17.



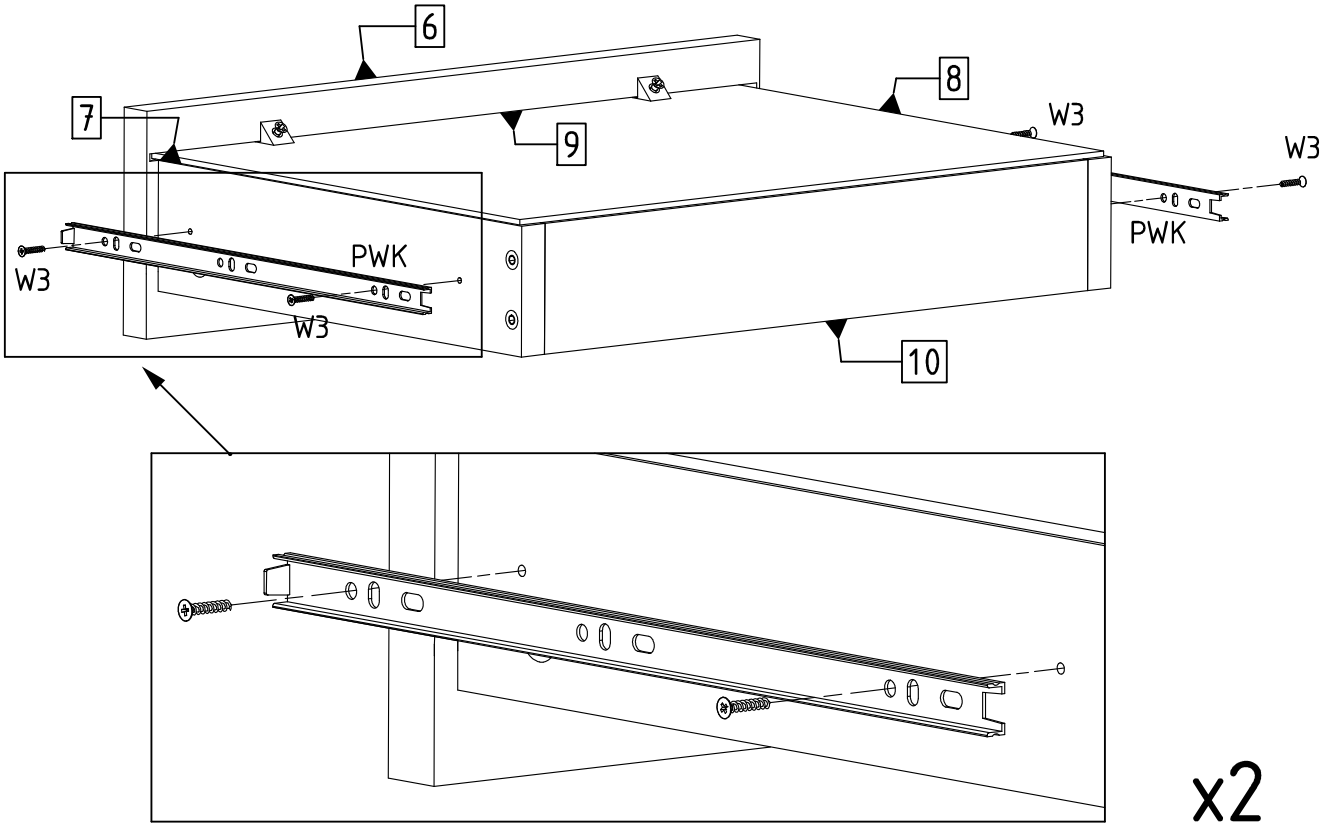
x2

18.

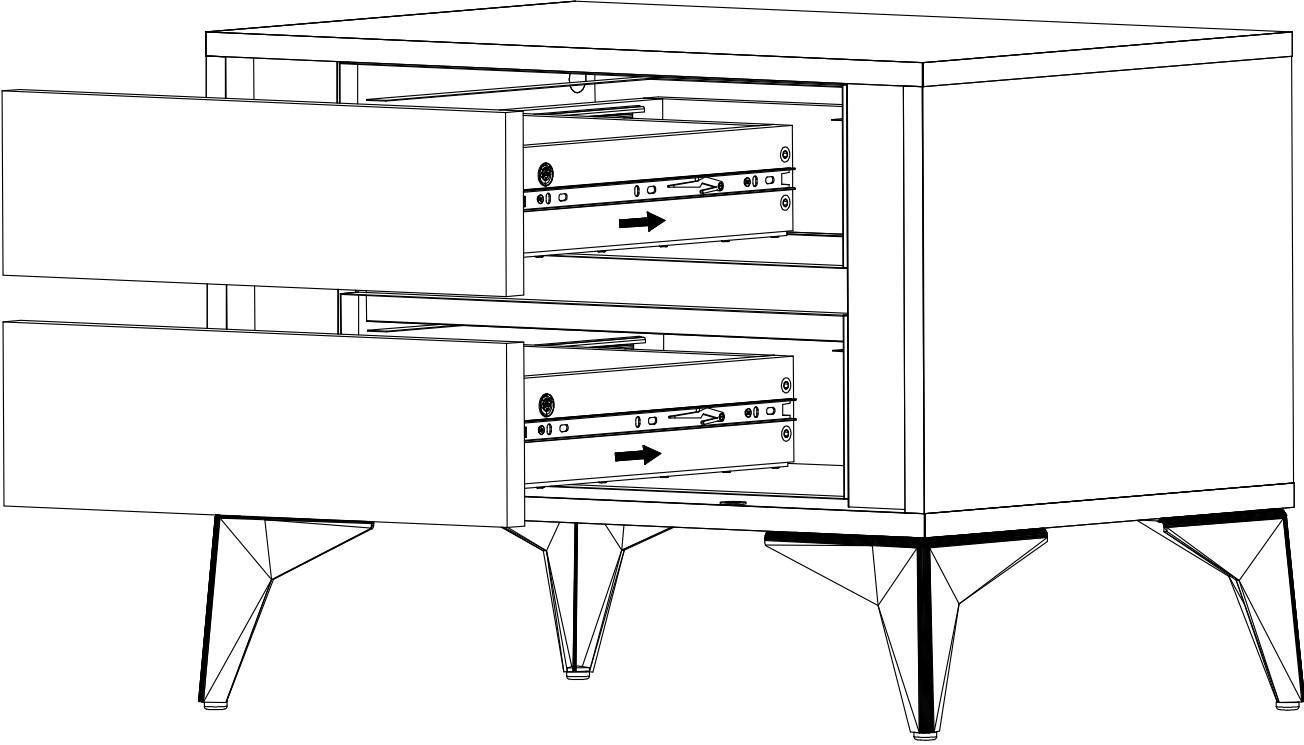


x2

19.



20.



21.

