

DISPARO

DISPARO_05

OP-28,76

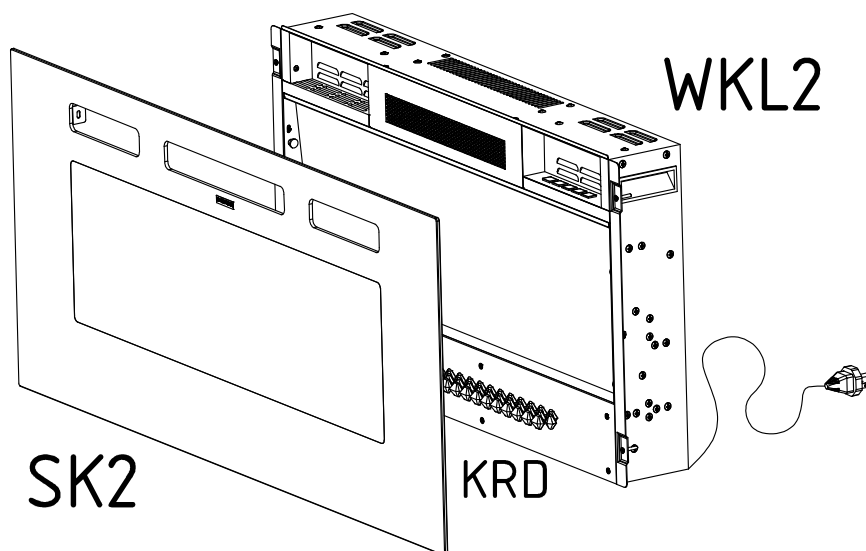
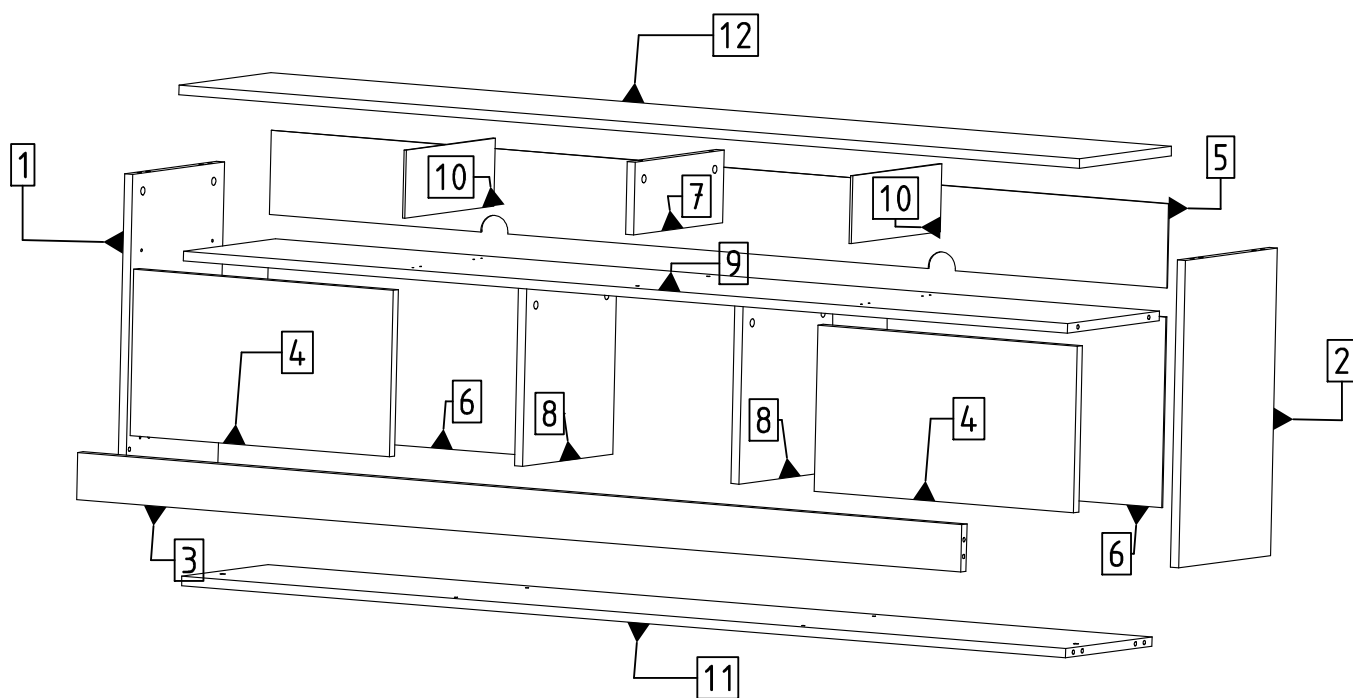
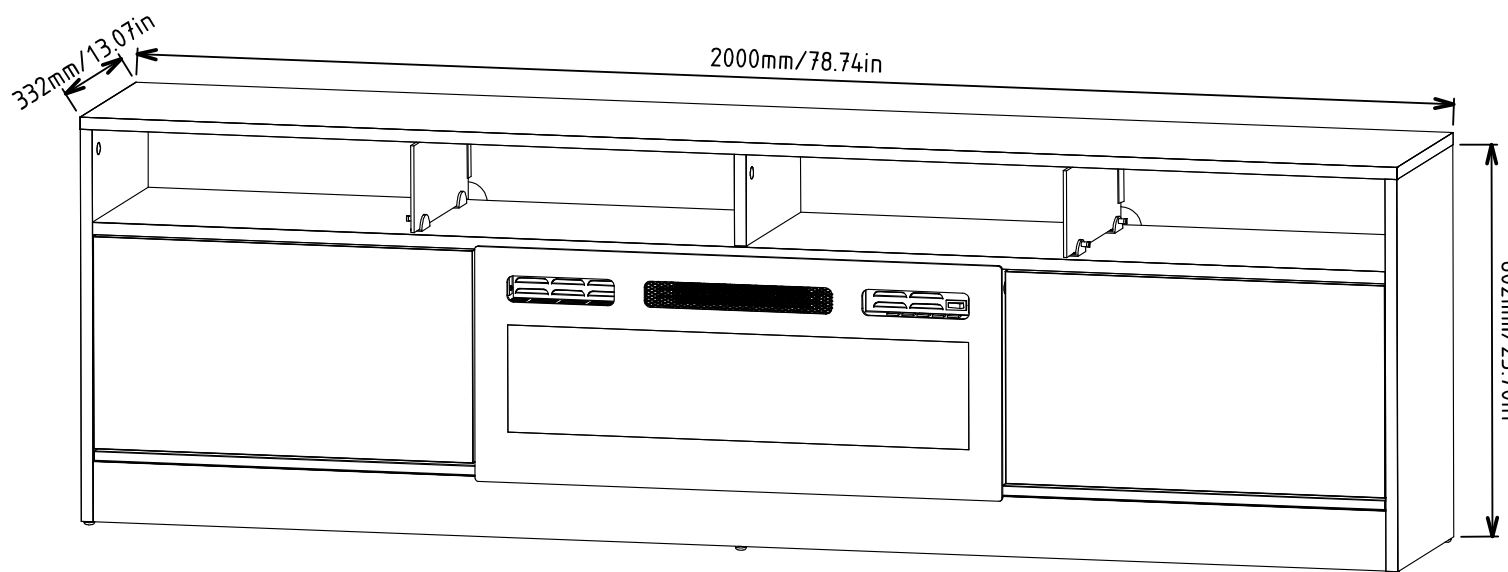
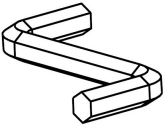
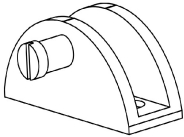
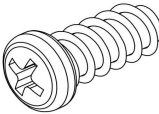

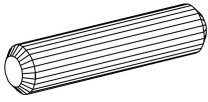
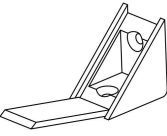

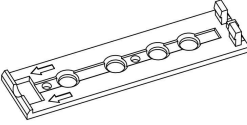
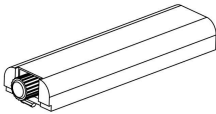
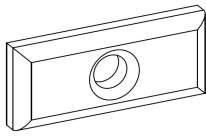
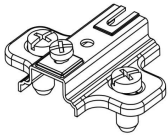
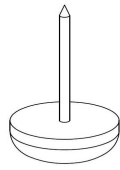
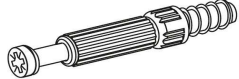

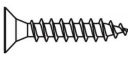
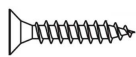
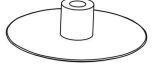
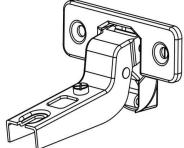
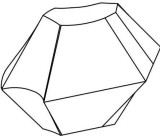
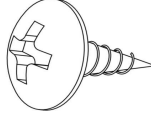
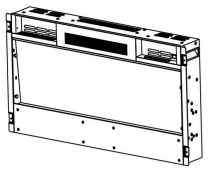
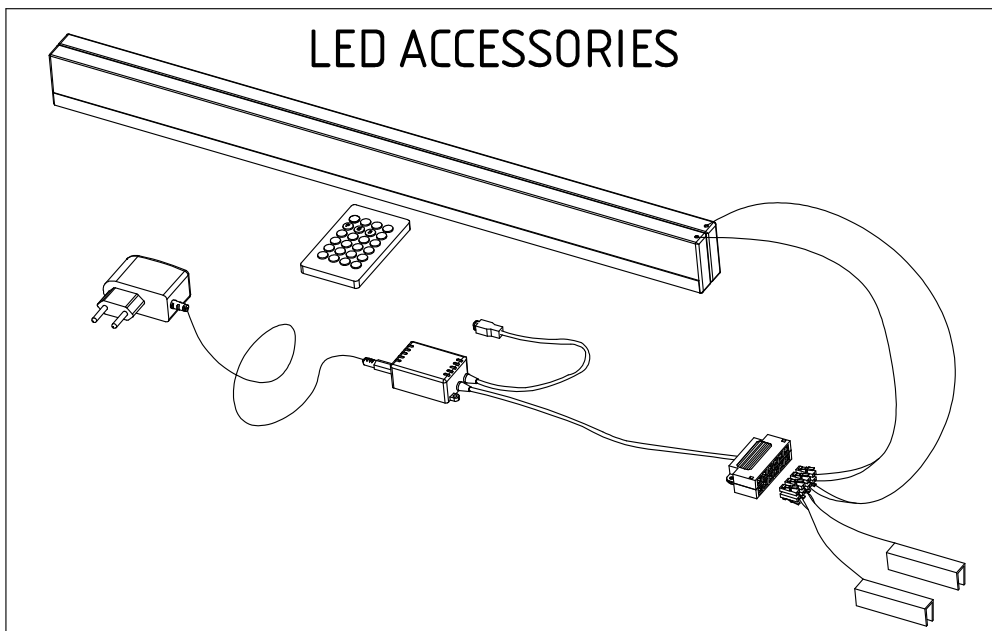


Table accessories

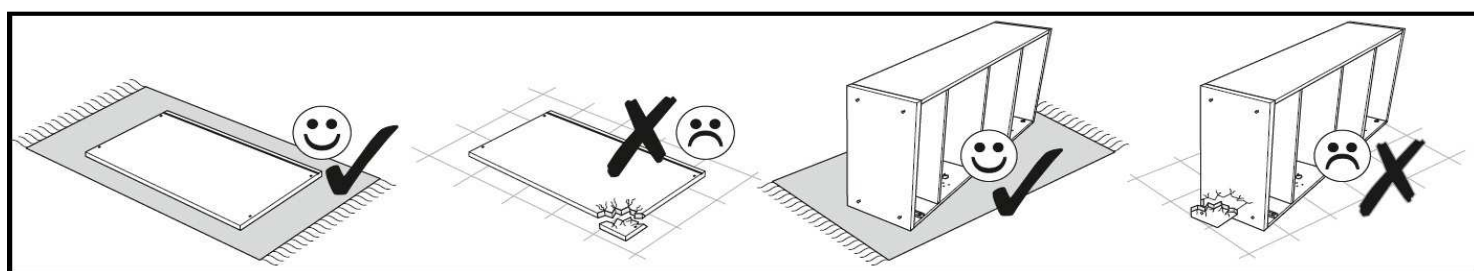
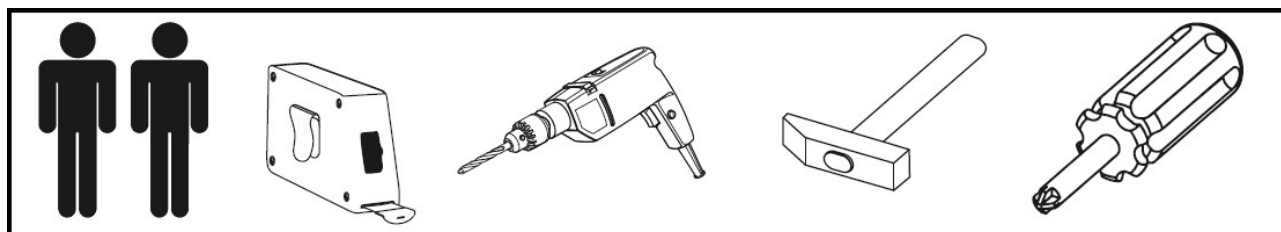
DISPARO_05

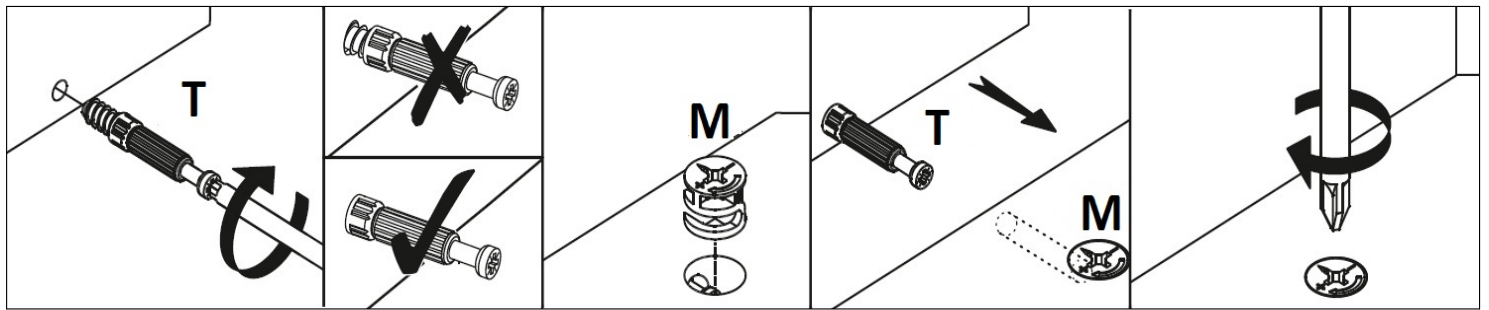
 A1 8 x 30	 BS 6,3 X 50	6,3 X 13  E13	6,3x9mm  E3 15 x 12	 G h=78mm
 K	 KN	 KP	 M	 N78
 OB 6 x 34 mm	 OB2 4 x 16	 PL 3 x 16mm	 PRE 4 X 25mm	 SL
 T	 W16	 W3	 W4	 Z
 ZP5				
 KRD	 SK2	 WK	 WKL2	

LED ACCESSORIES

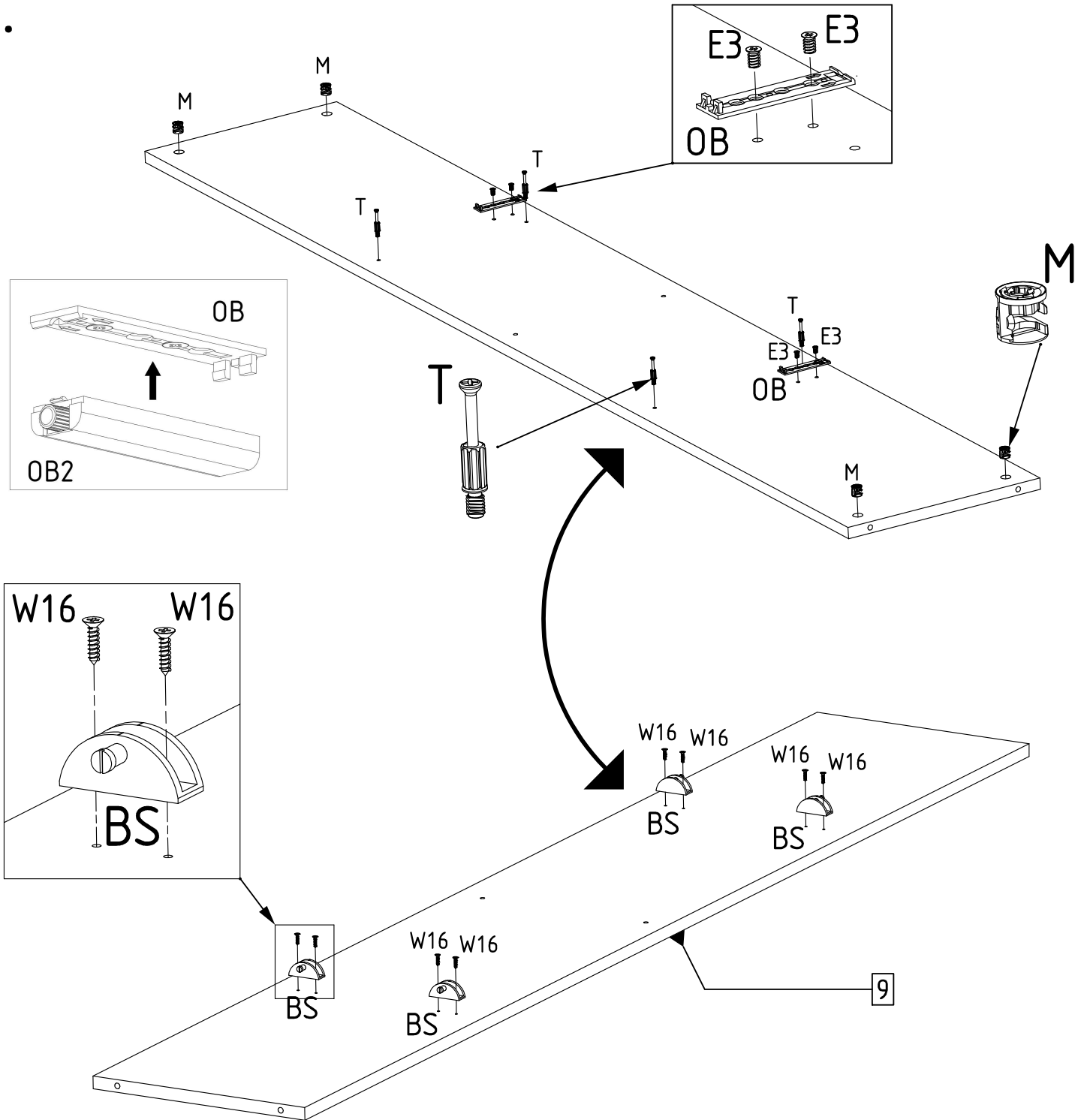


Elements				Accessories	
SYMBOL	LENGTH	WIDTH	QUANTITY	SYMBOL	QUANTITY
BL[1]	584	332	1	A1	1
				BS	4
BP[2]	584	332	1	E13	2
				E3	4
CD[3]	1963	90	1	G	49
				K	12
FT[4]	316	576	2	KN	6
				KP	2
PC1[5]	1993	160	1	KRD (attached to the electric fireplace)	62
				M	18
PC2[6]	618	362	2	N78	1
				OB	2
PD[7]	138	322	1	OB2	2
				PL	12
PPI0[8]	338	326	2	PRE	4
				SK2 (attached to the electric fireplace)	1
PPO[9]	1963	332	1	SL	5
				T	18
PS[10]	322	129	2	W16	20
				W3	12
WD[11]	1963	312	1	W4	4
				WK (attached to the electric fireplace)	6
WG[12]	2000	332	1	WKL2 (attached to the electric fireplace)	2
				Z	18
				ZP5	4

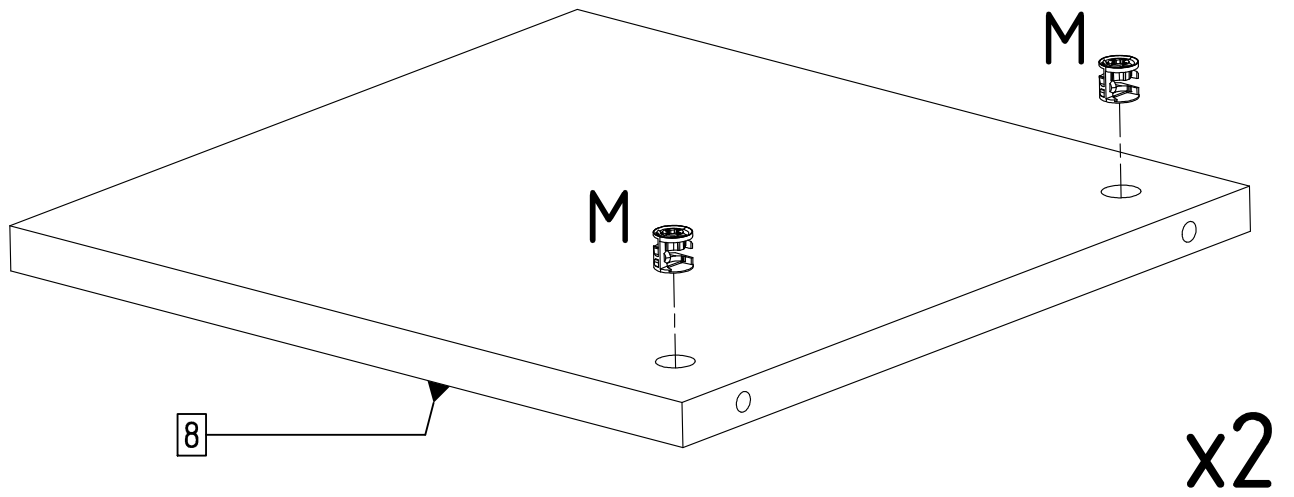




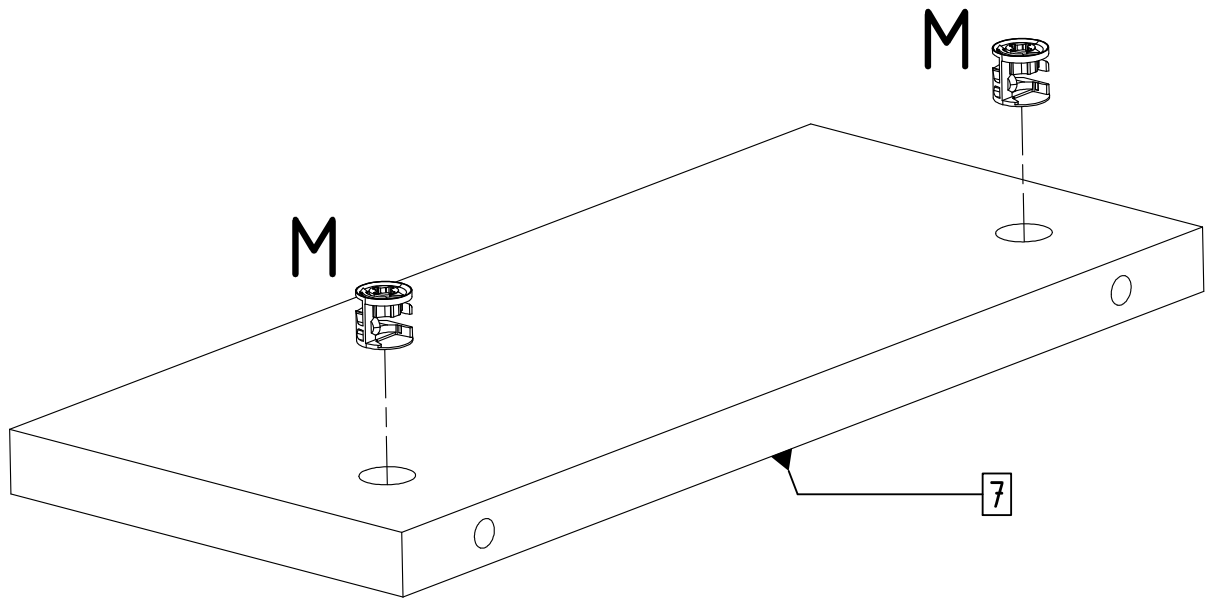
1.



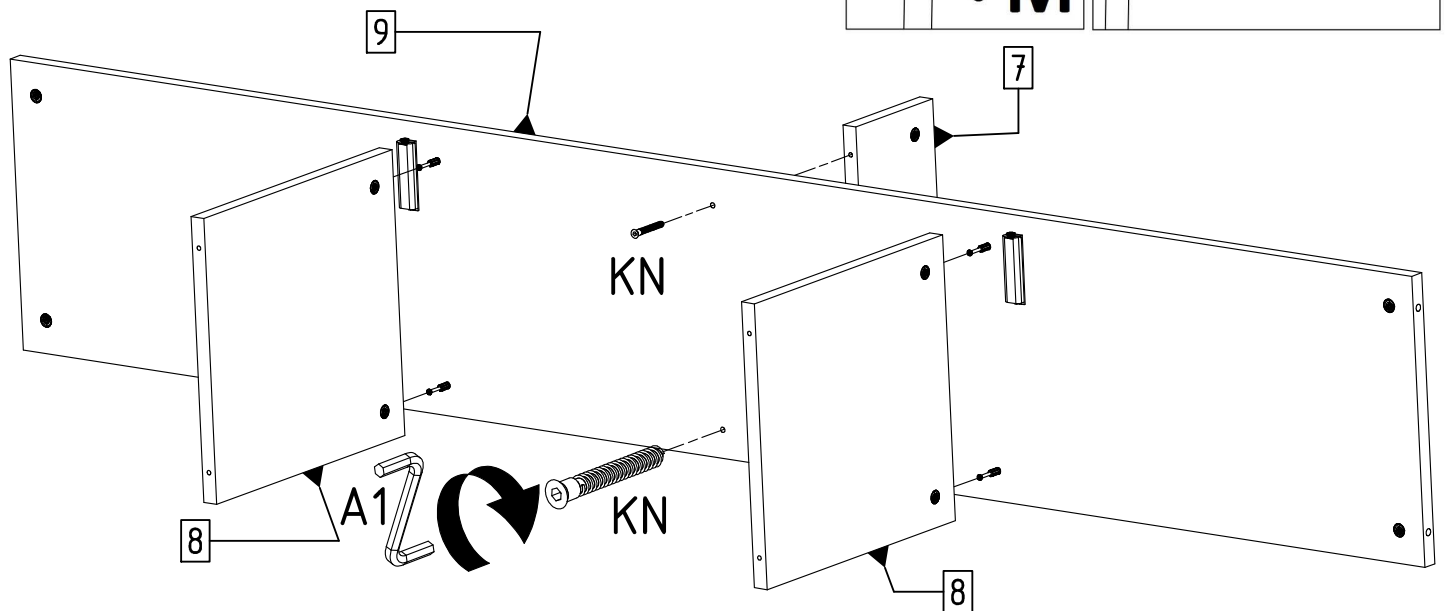
2.



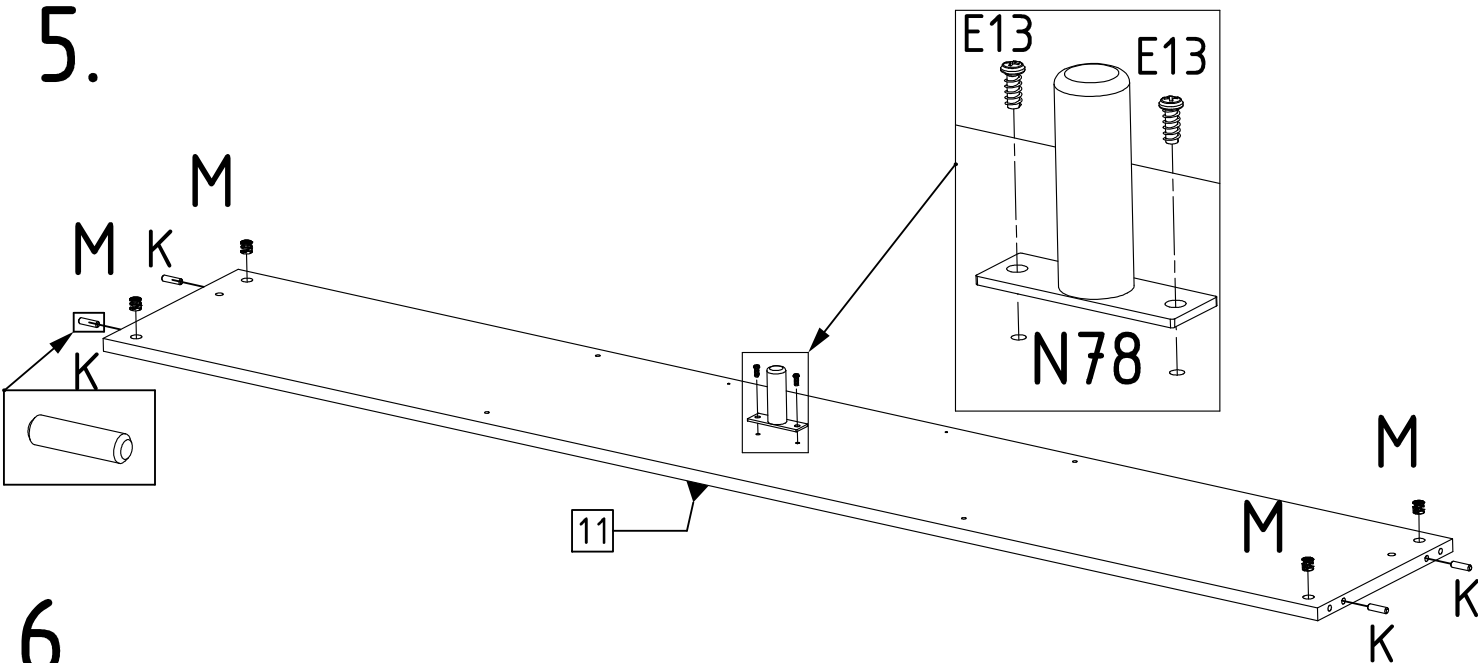
3.



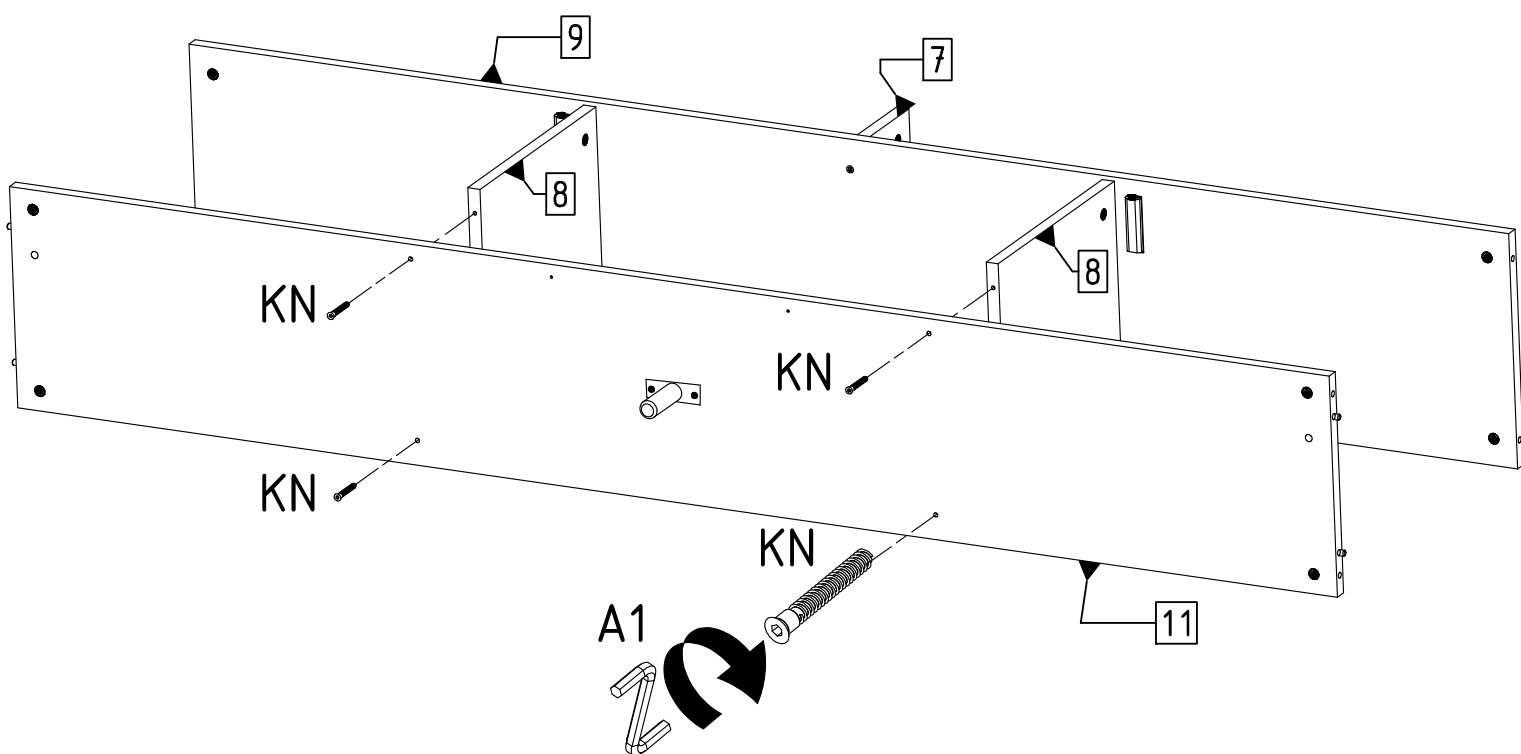
4.



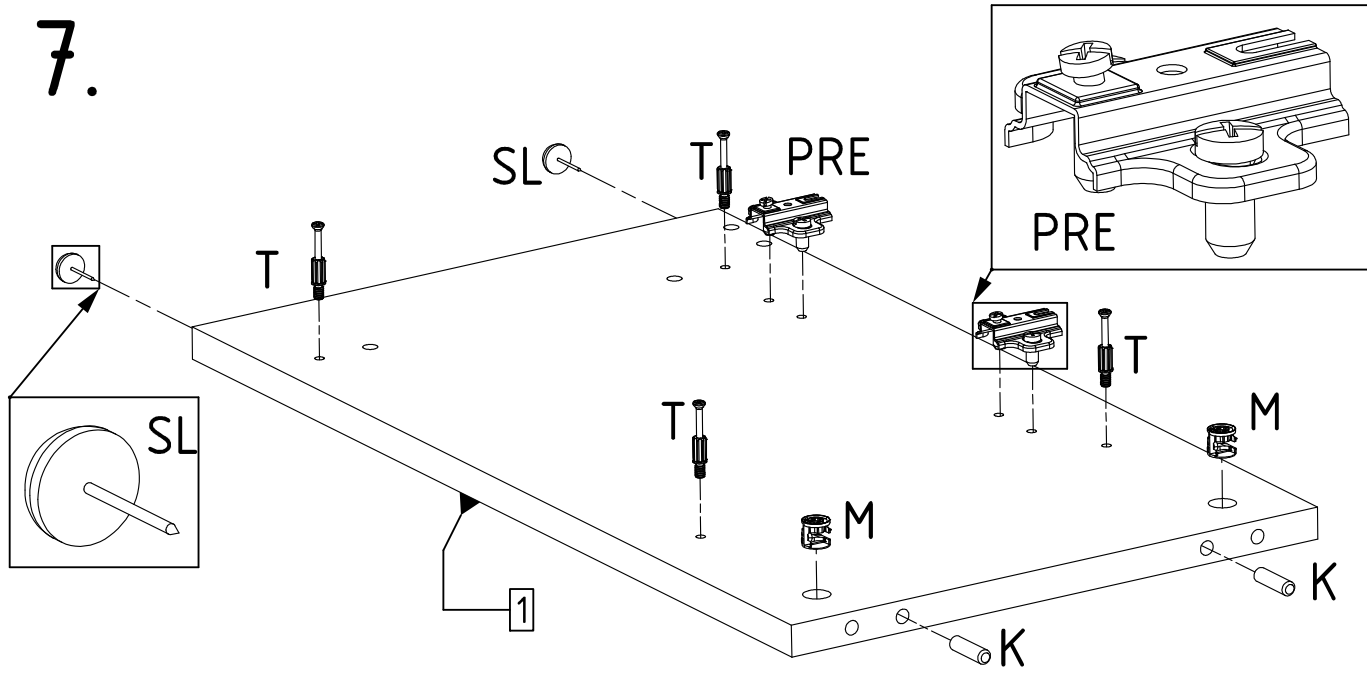
5.



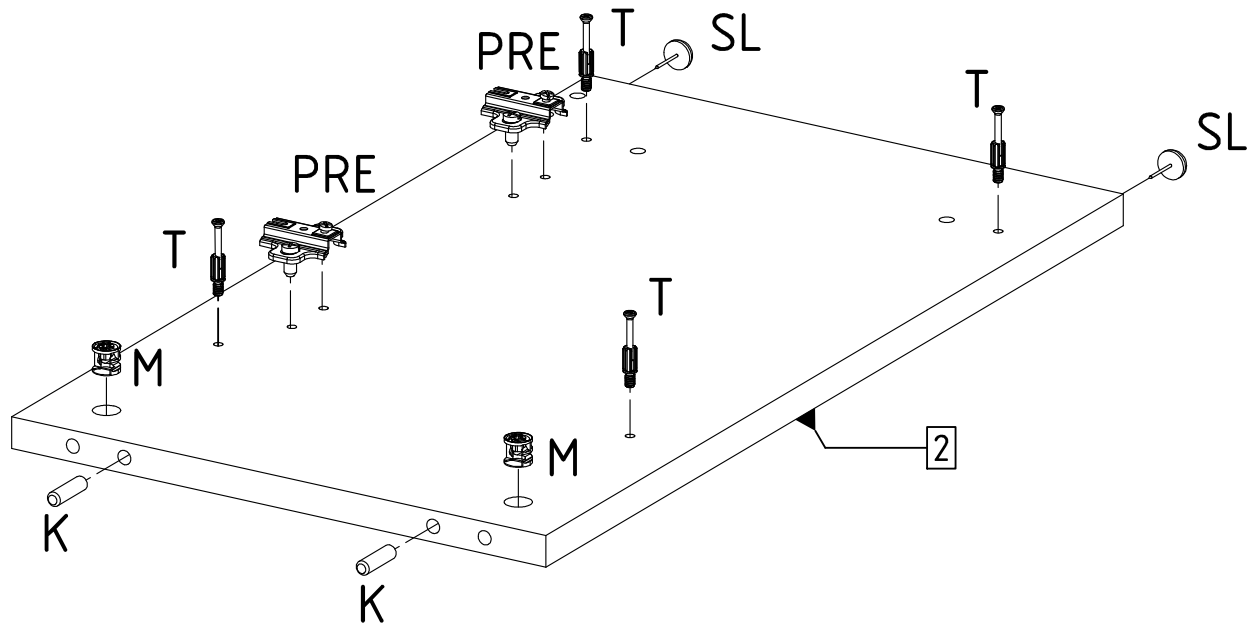
6.



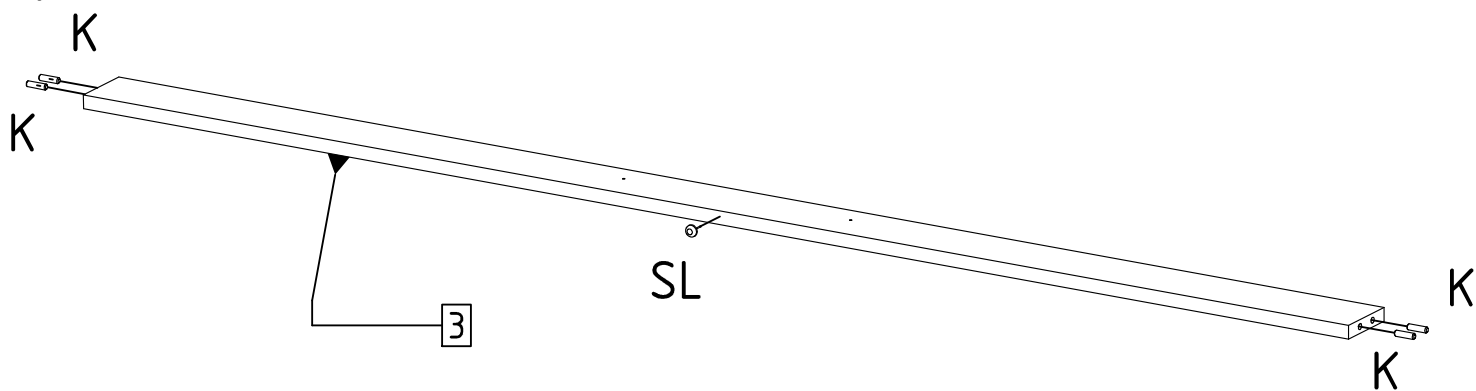
7.



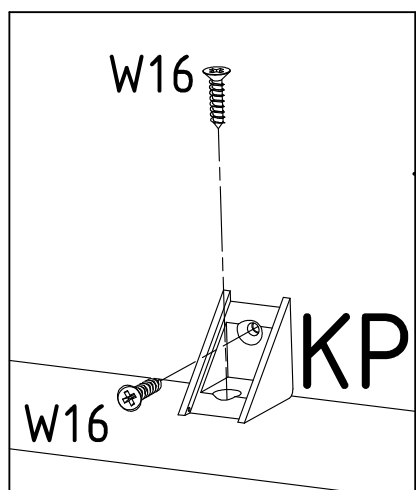
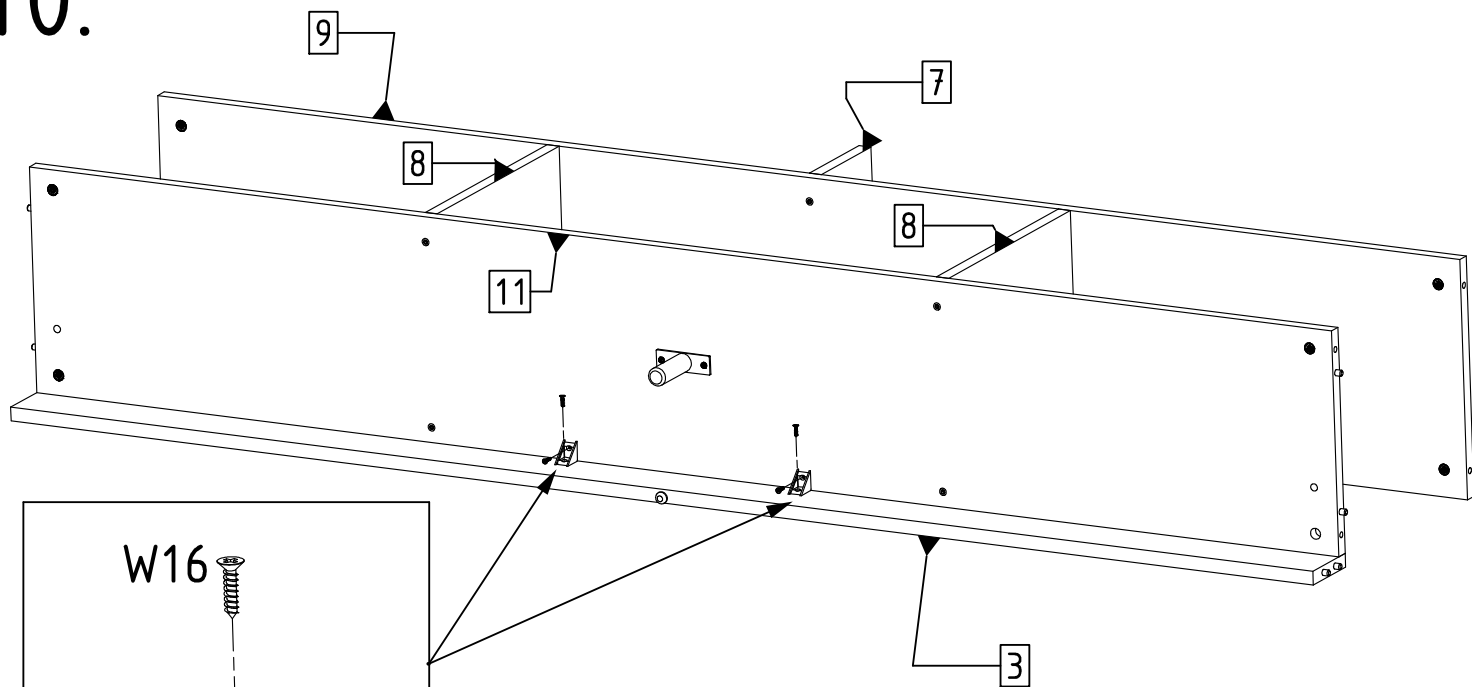
8.



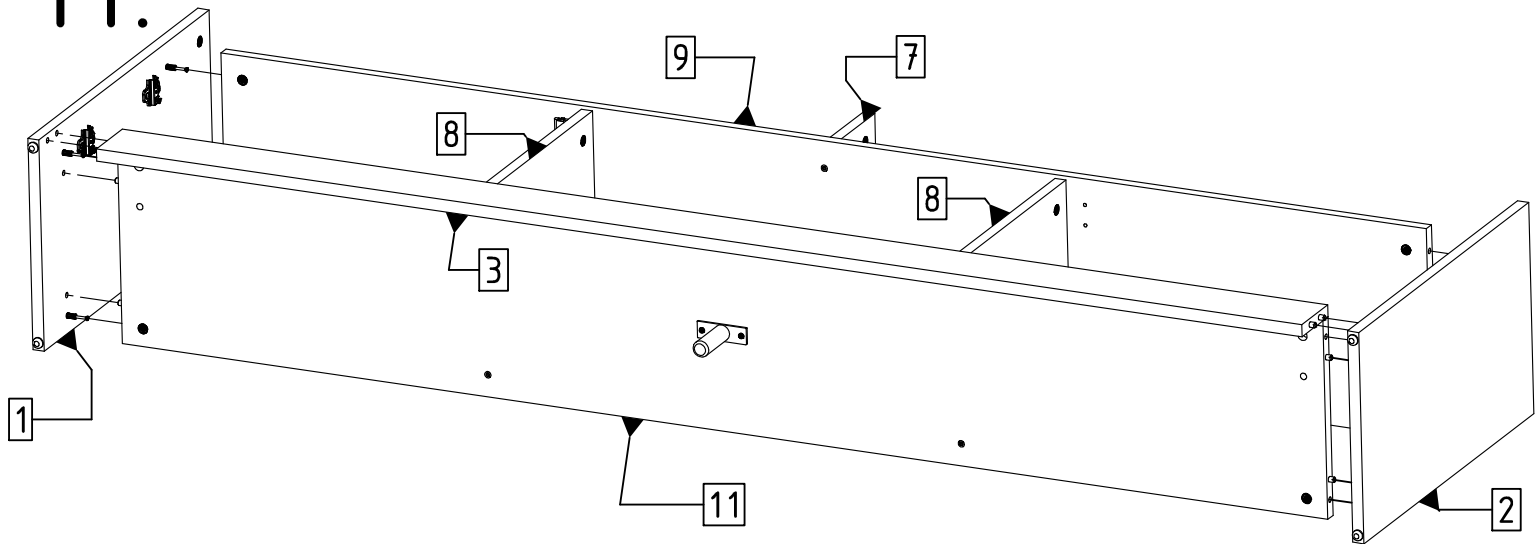
9.



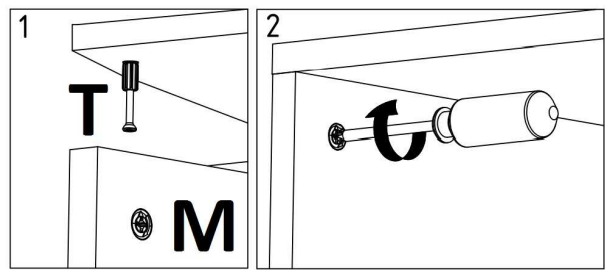
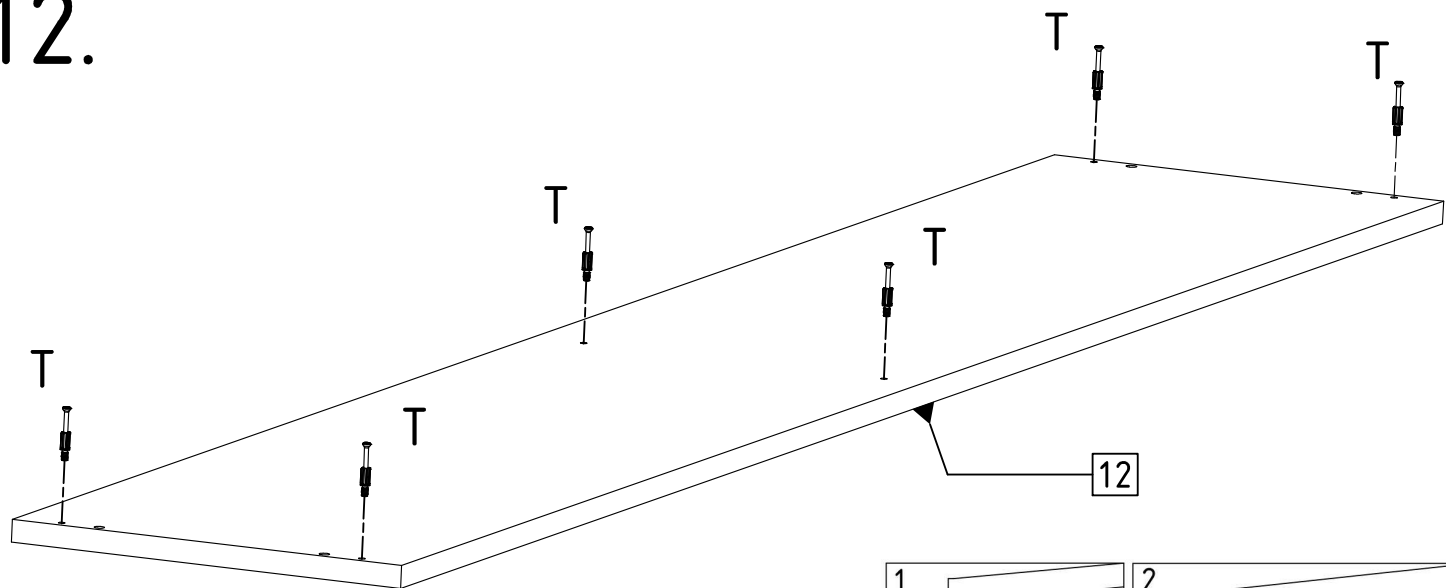
10.



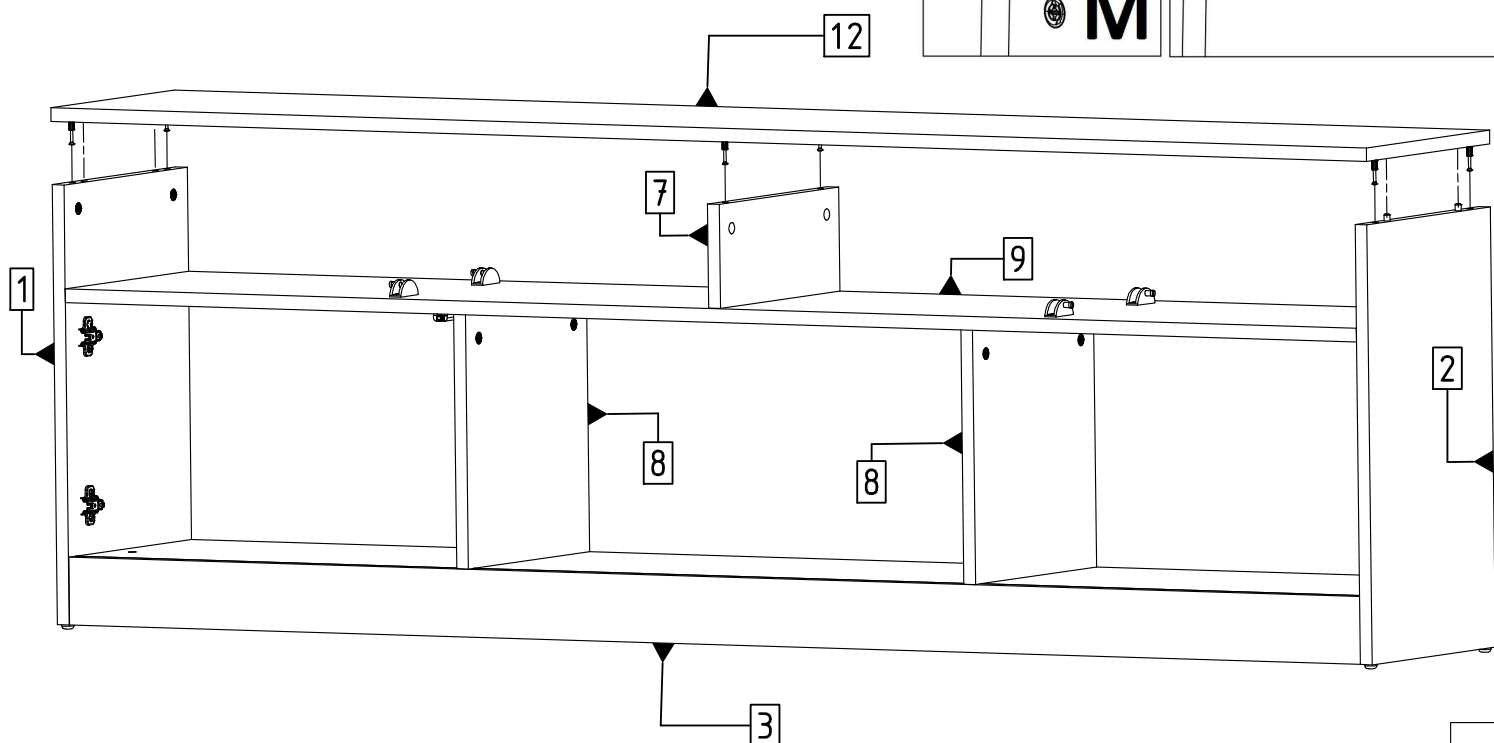
11.



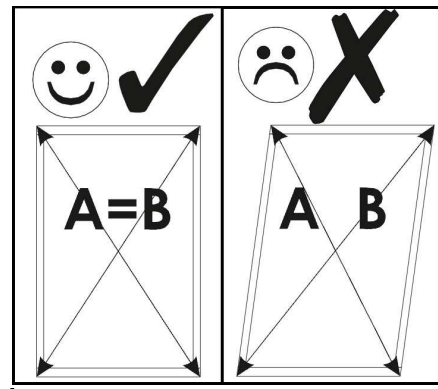
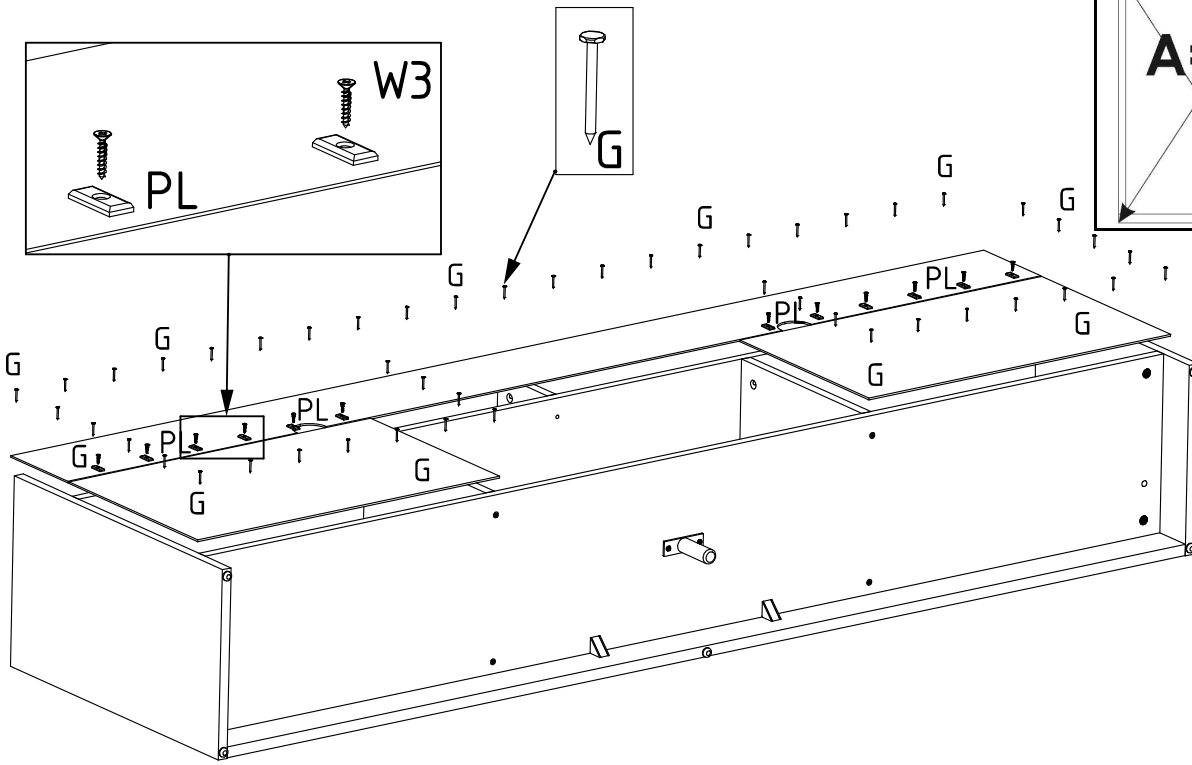
12.



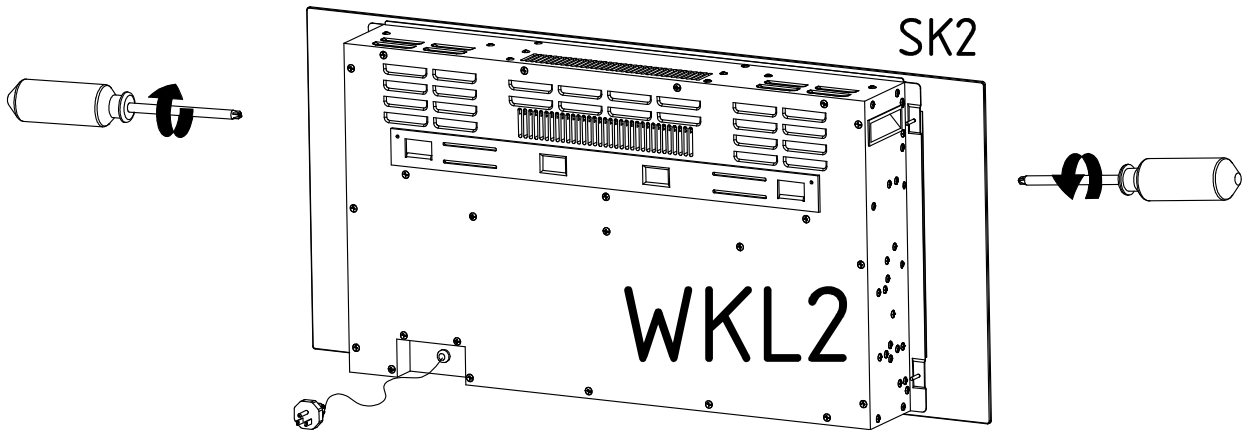
13.



14.

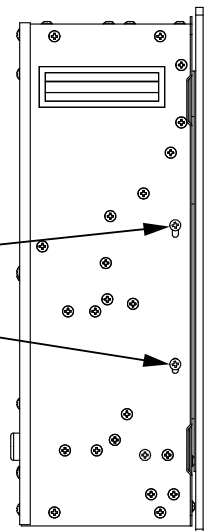
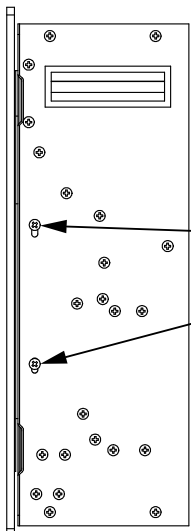


15.



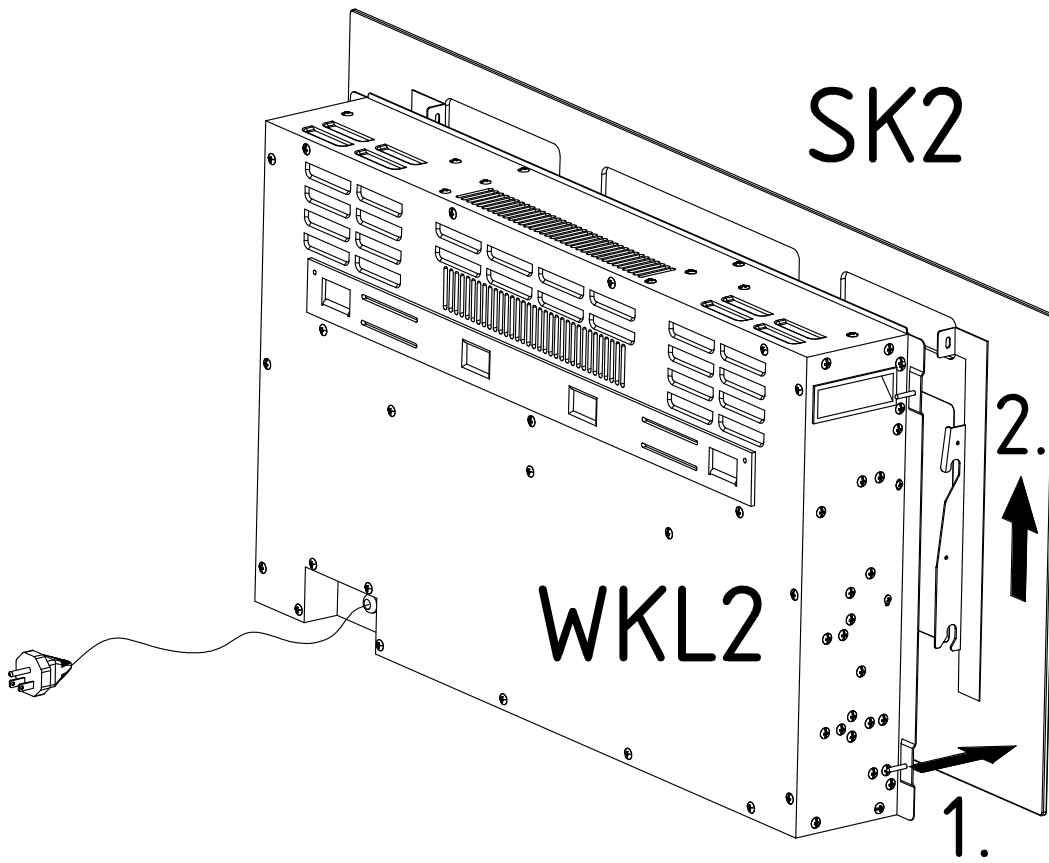
RIGHT SIDE

LEFT SIDE

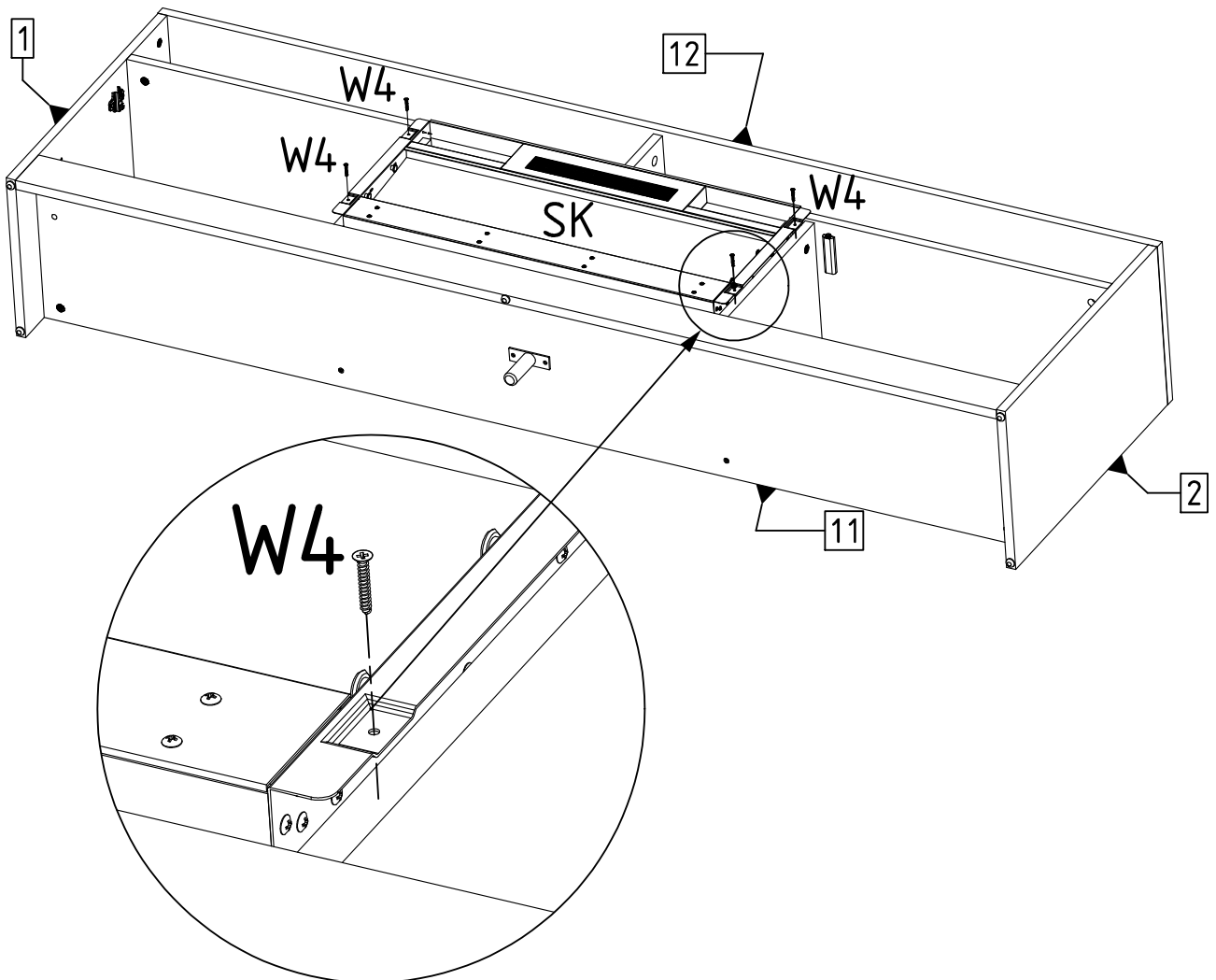


WK

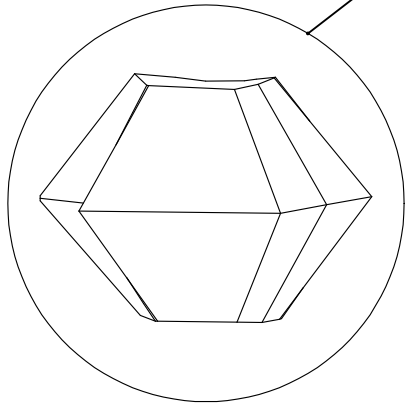
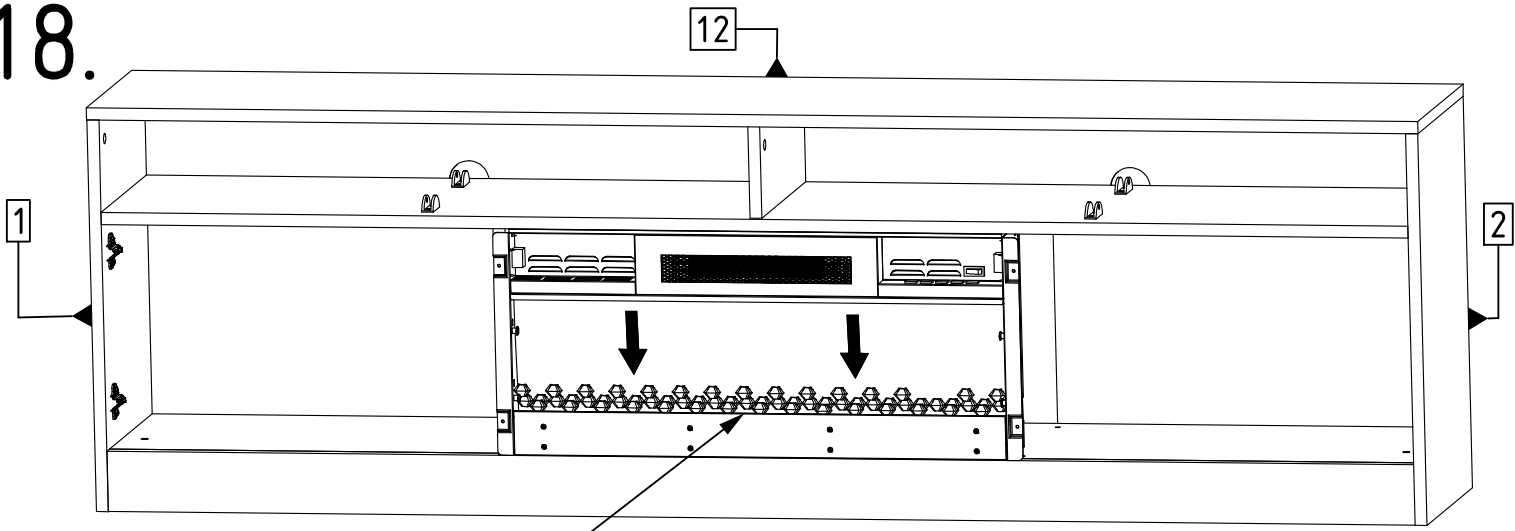
16.



17.

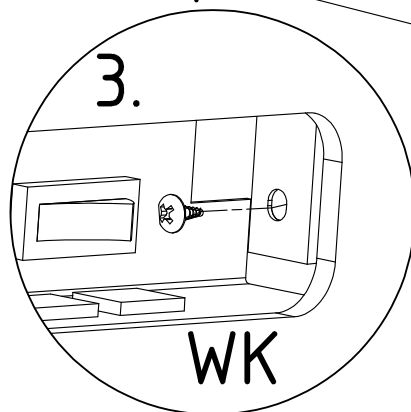
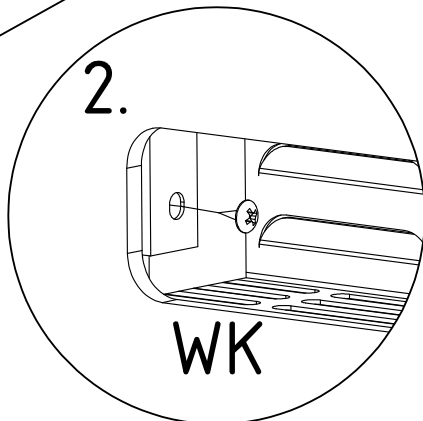
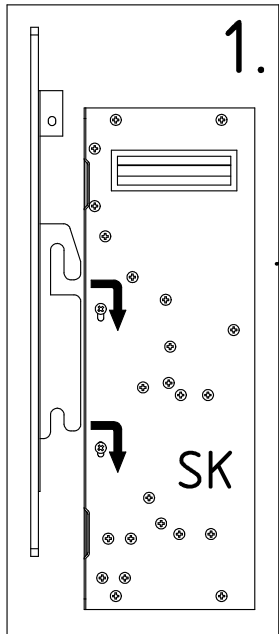
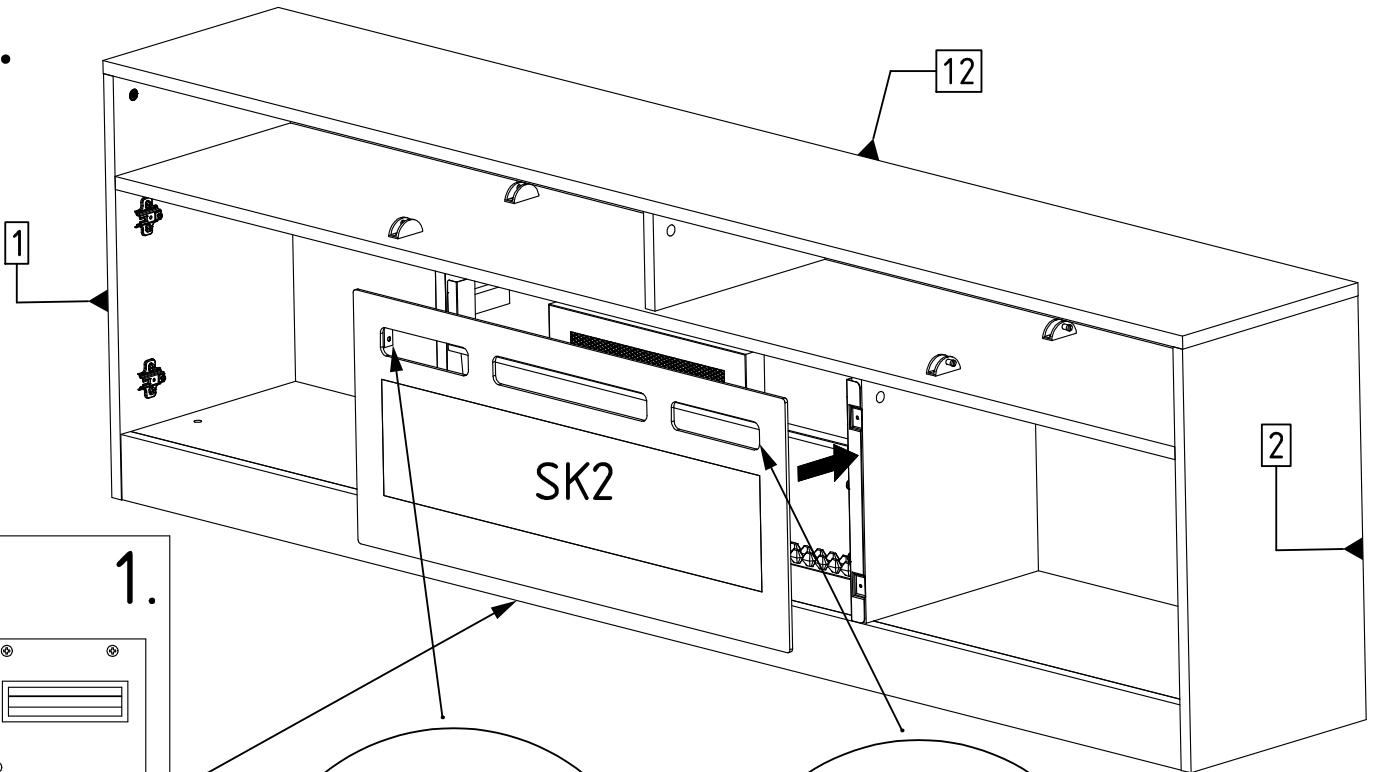


18.

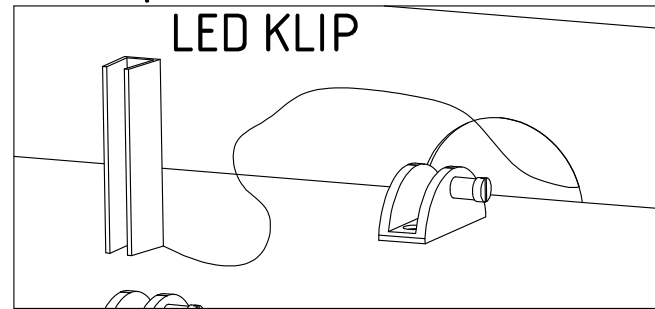
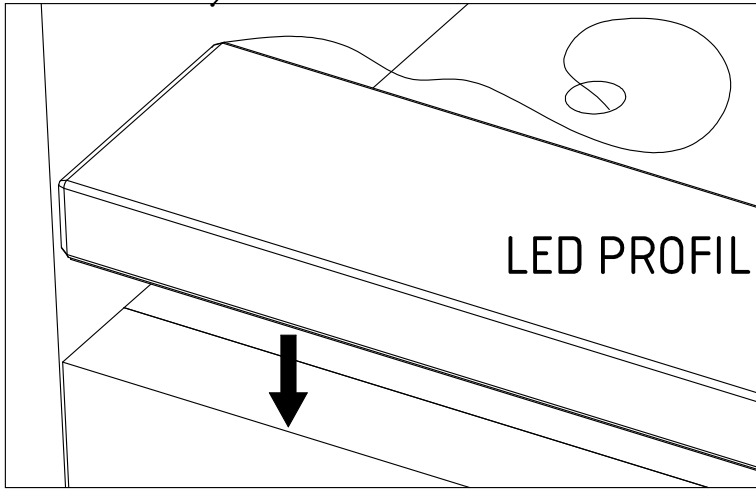
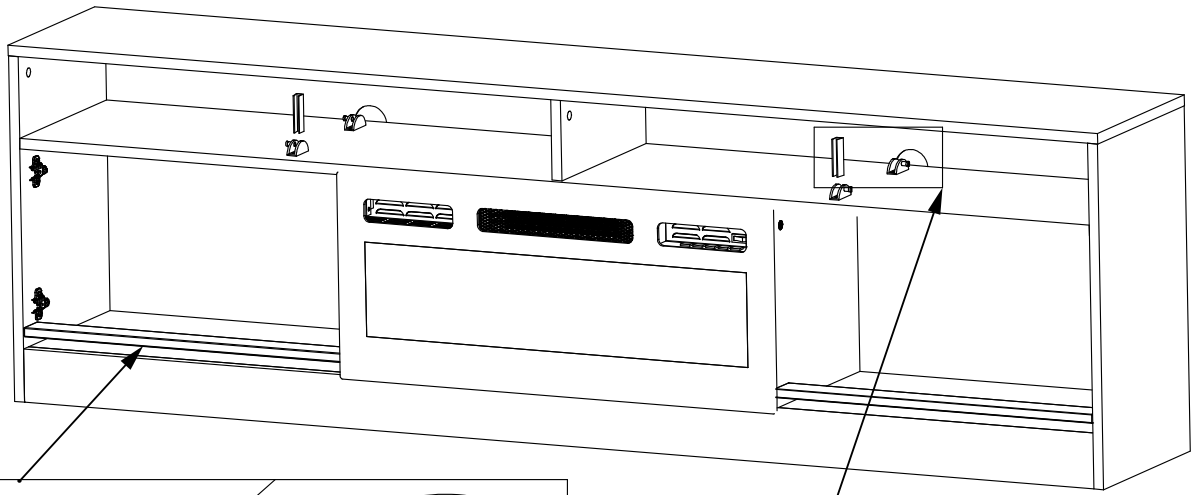


KRD

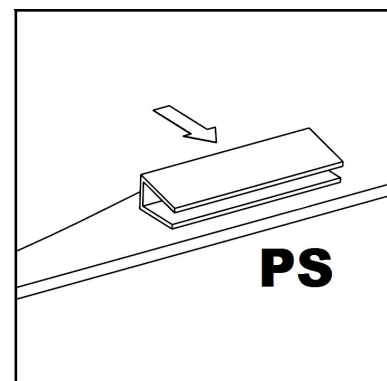
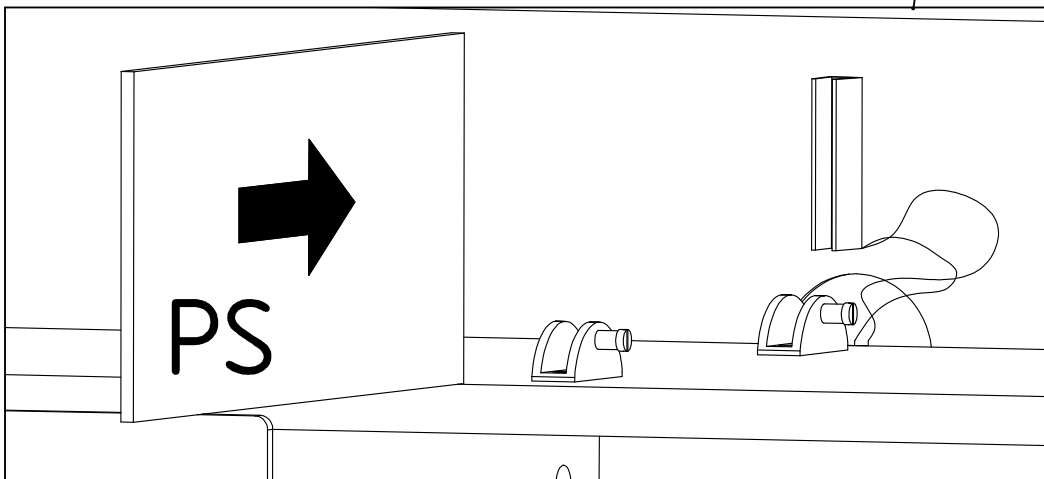
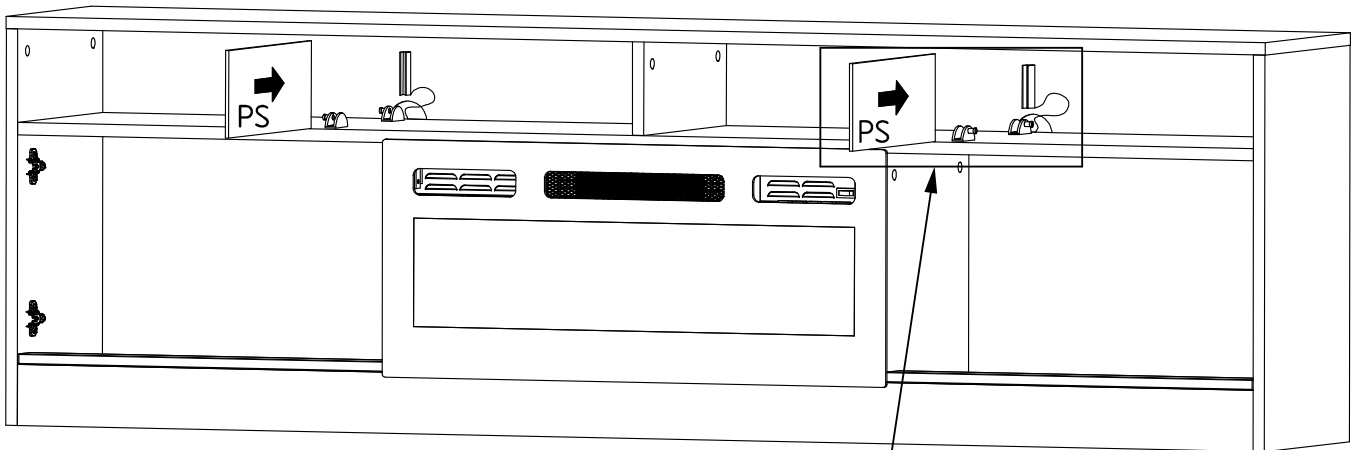
19.



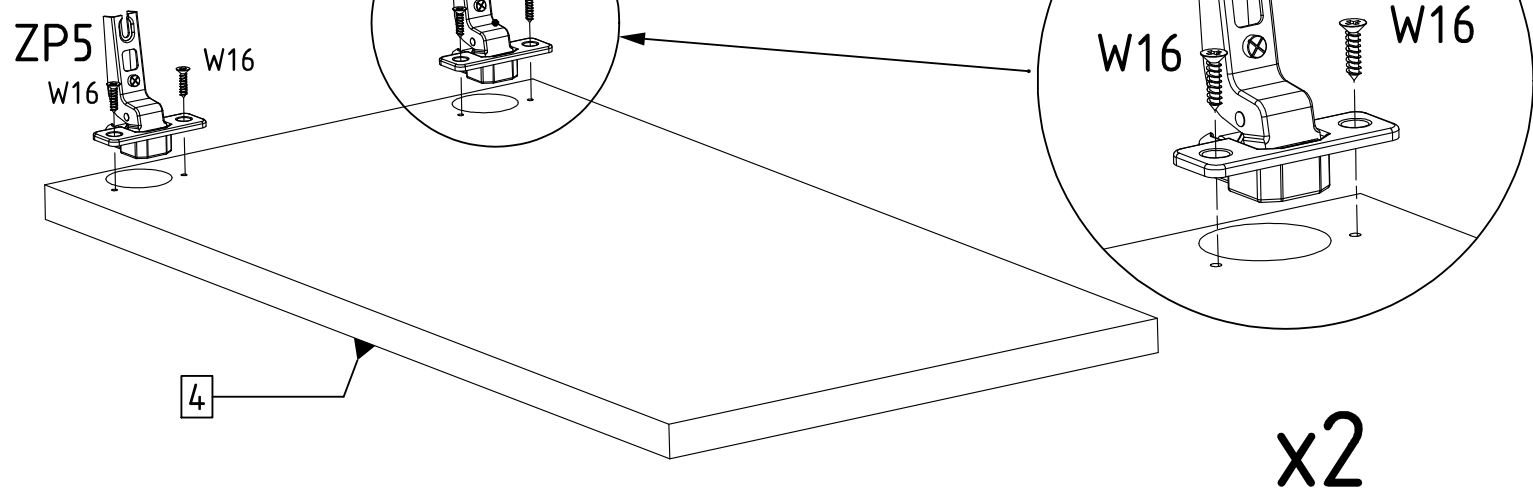
20.



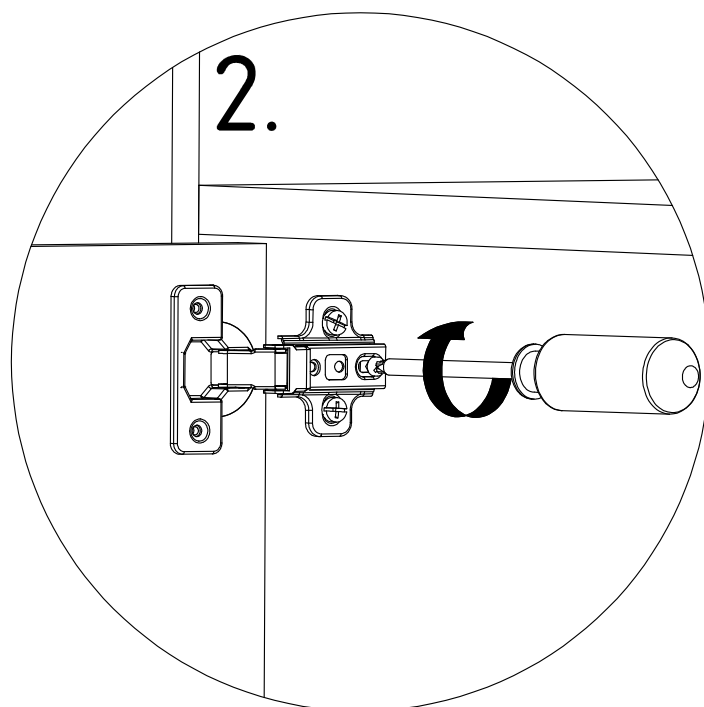
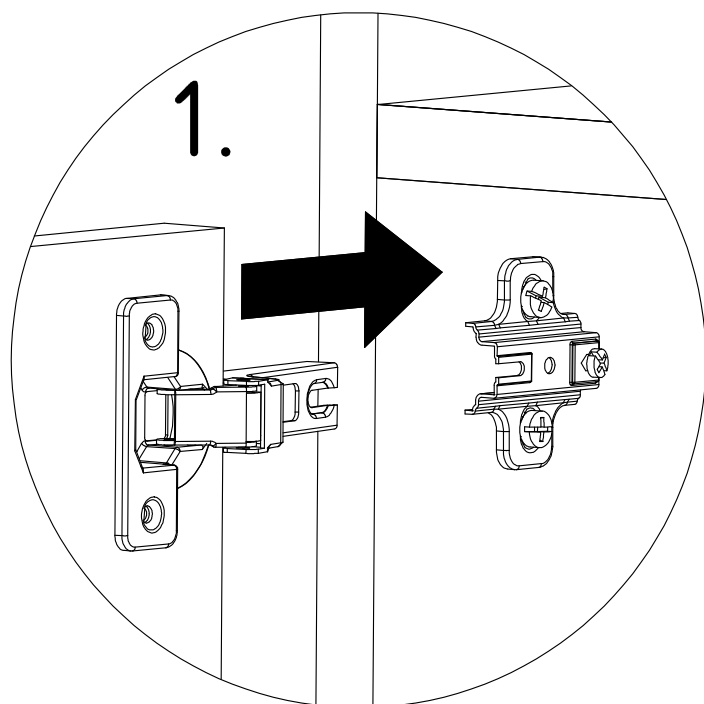
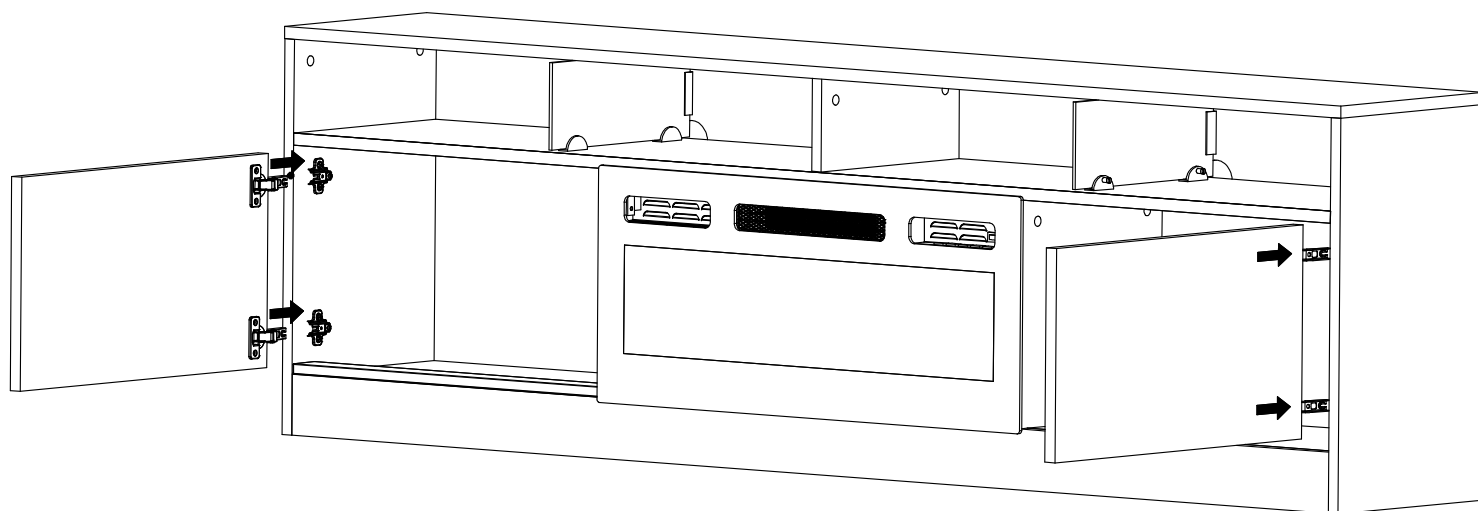
21.



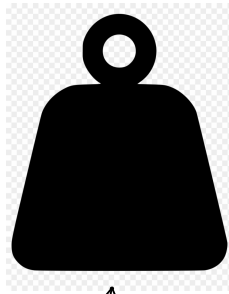
22.



23.



24.



max.
10kg

