

DISPARO

DISPAR003

OP-75

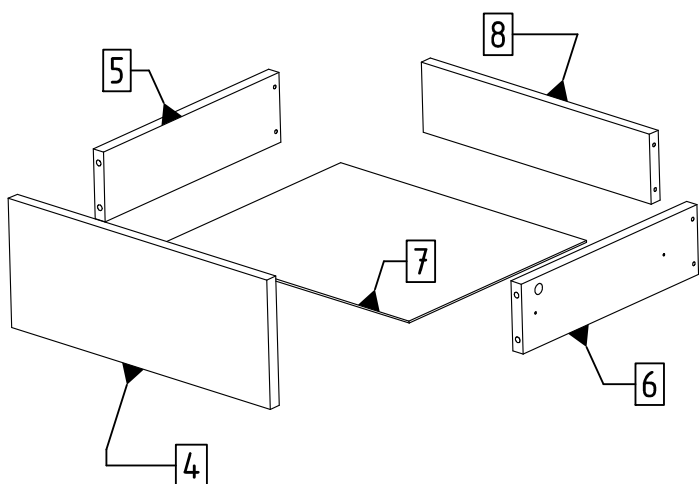
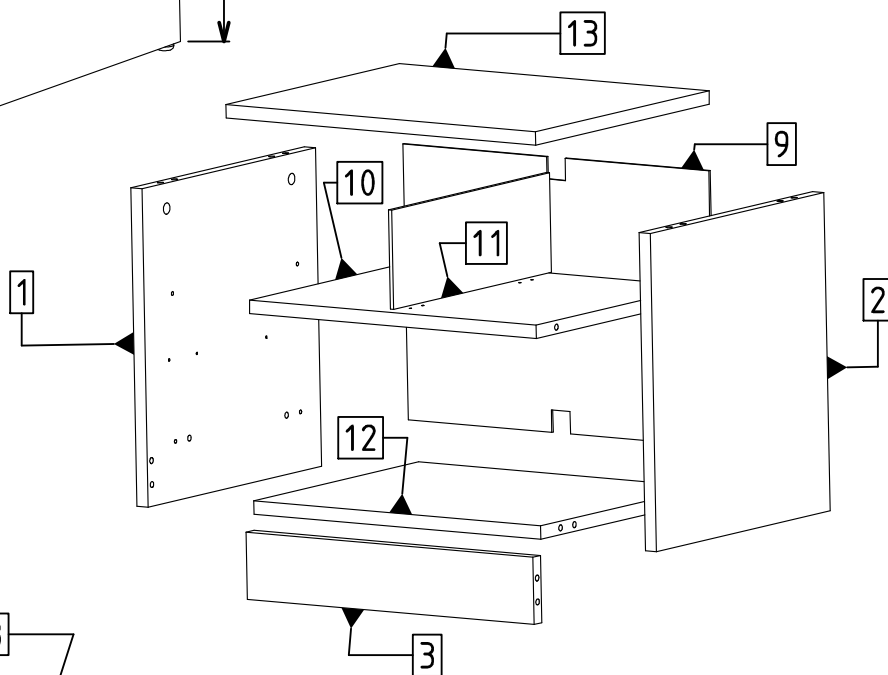
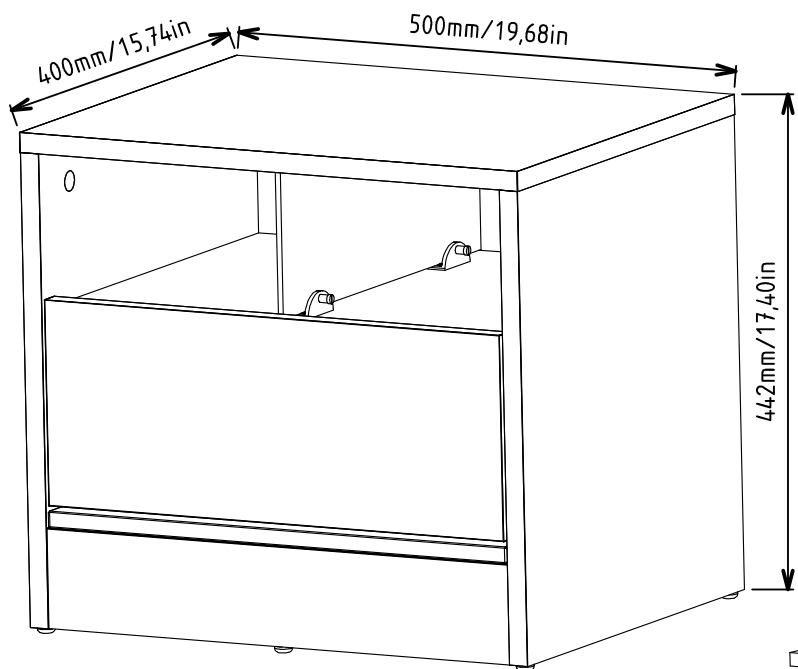
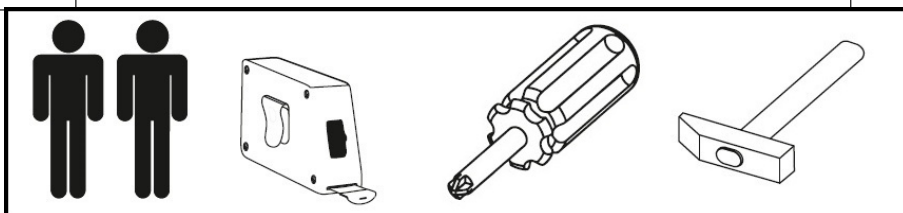
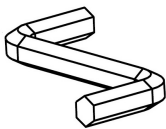
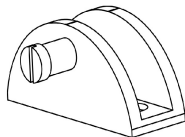
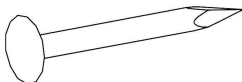
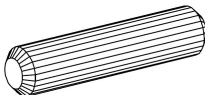
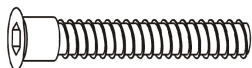

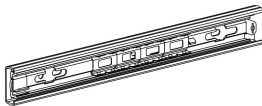

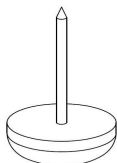
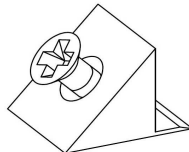
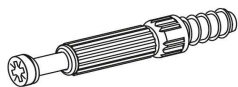
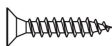
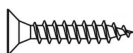
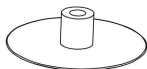
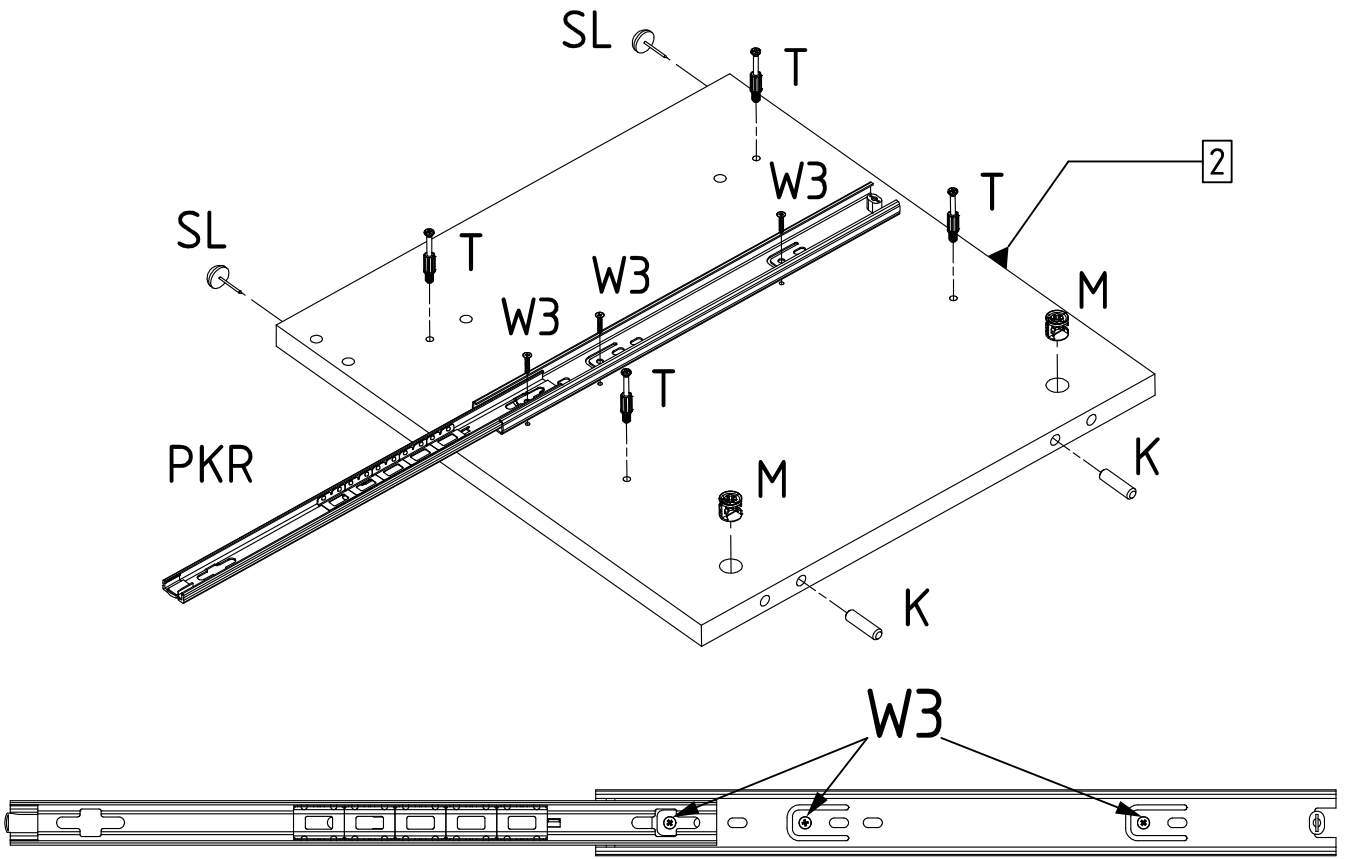


Table accessories

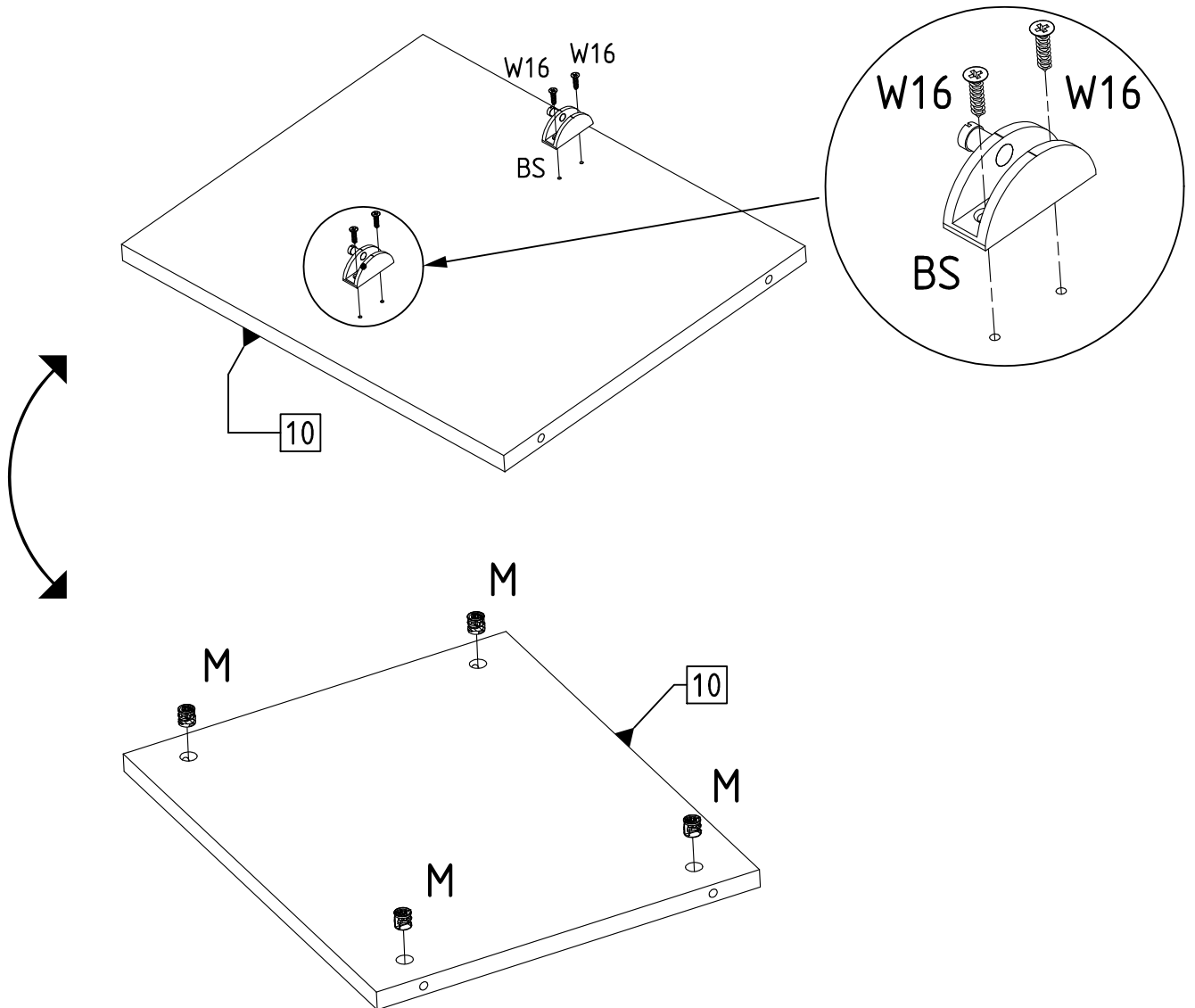
DISPARO 03

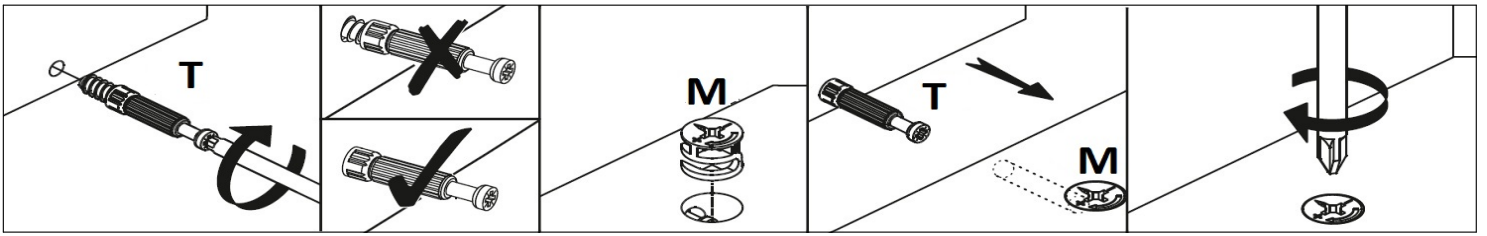
 A1	 BS	 G	8 x 30  K	6,3 X 50  KN
15 x 12  M	L350  PKR	L350  PWK	 SL	 ST
6 x 34 mm  T	4 x 16  W16	3 x 16mm  W3	 Z	

Elements				Accessories	
SYMBOL	LENGTH	WIDTH	QUANTITY	SYMBOL	QUANTITY
BL [1]	426	400	1	A1	1
BP [2]	426	400	1	BS	2
CD [3]	463	90	1	G	25
FTS [4]	457	185	1	K	14
KBL [5]	350	100	1	KN	4
KBP [6]	350	100	1	M	14
KD [7]	435	354	1	PKR [L-350]	2
KT [8]	403	100	1	PWK [L-350]	2
PC [9]	494	369	1	SL	5
PPO [10]	463	381	1	ST	2
PS [11]	364	133	1	T	14
WD [12]	463	380	1	W16	4
WG [13]	500	400	1	W3	10
				Z	14

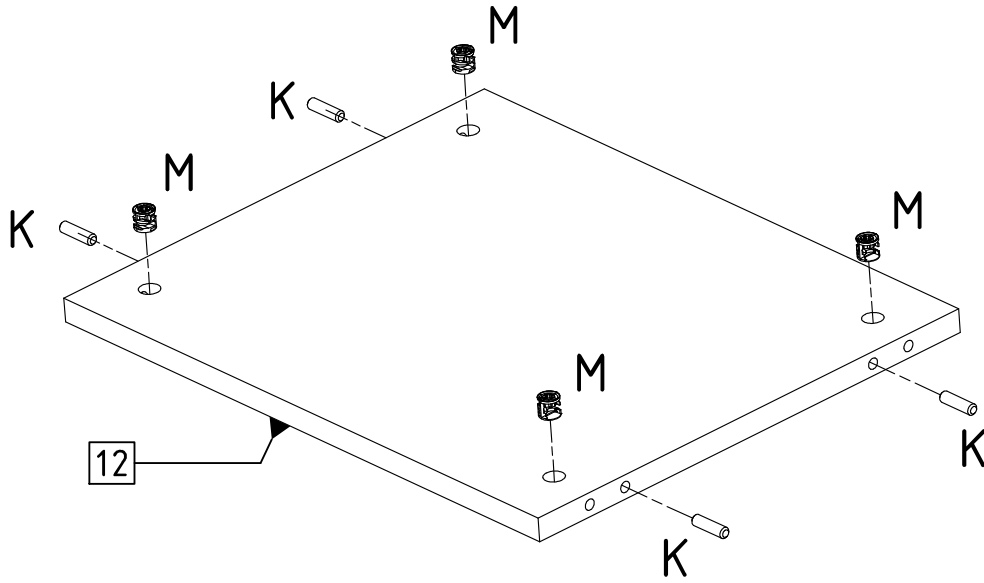


2.

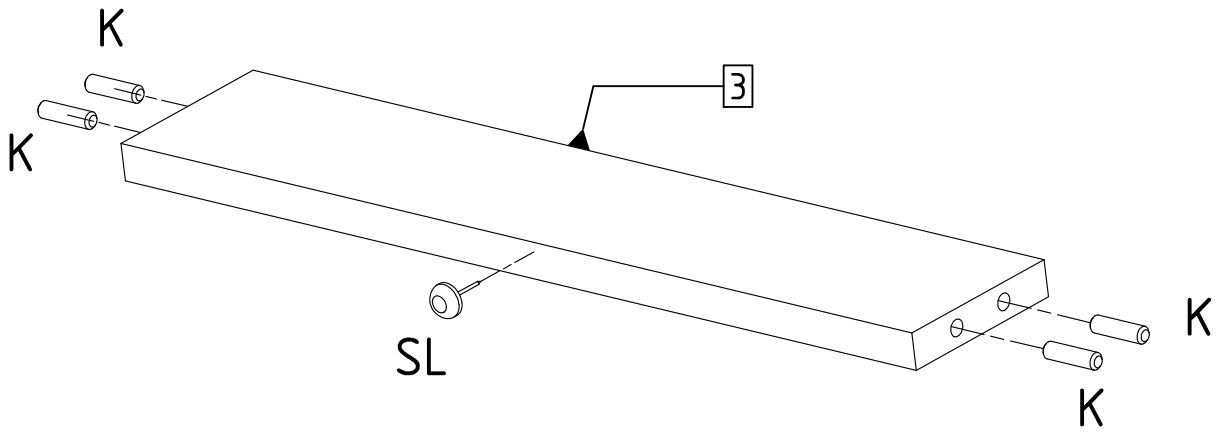




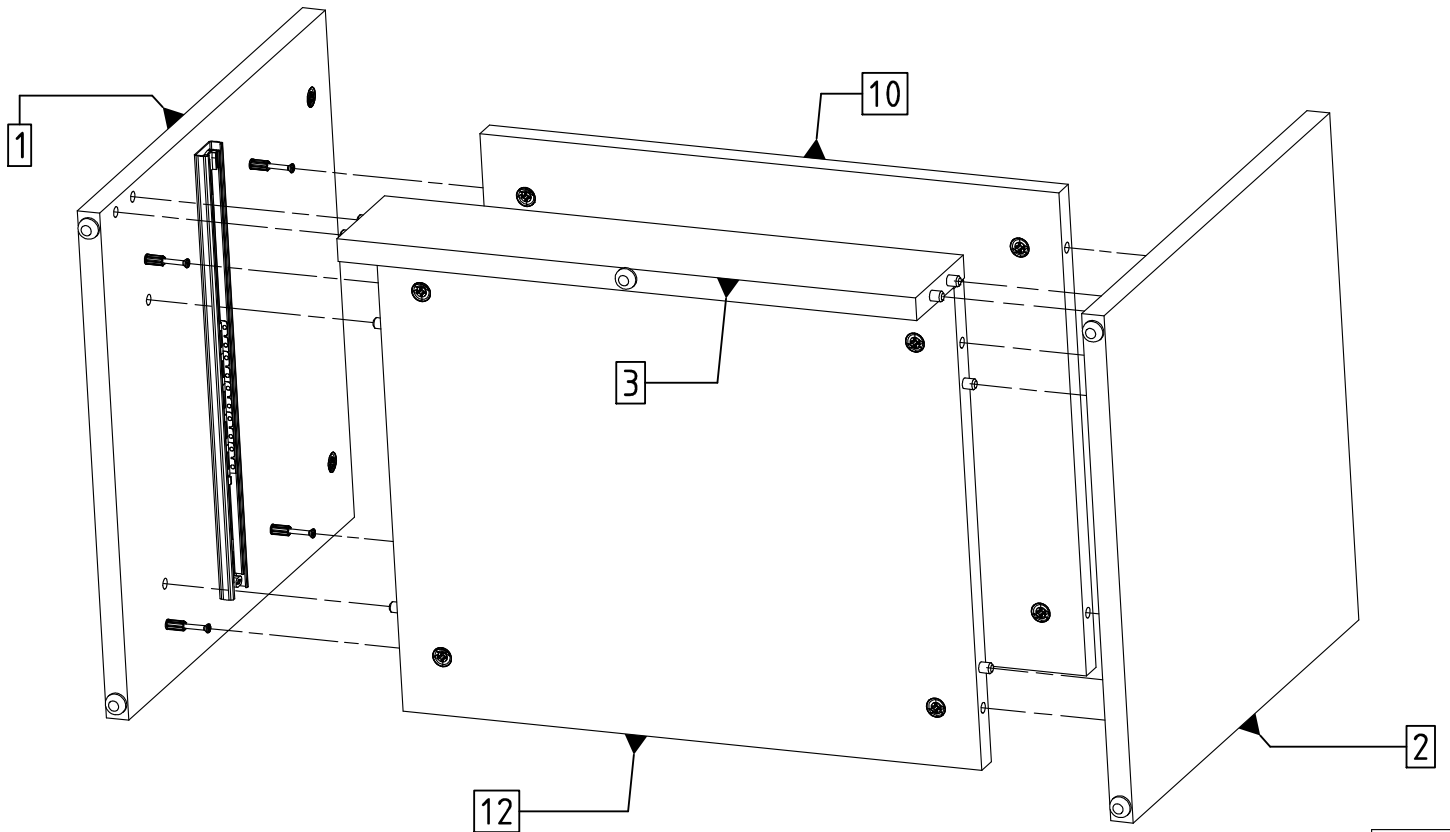
3.



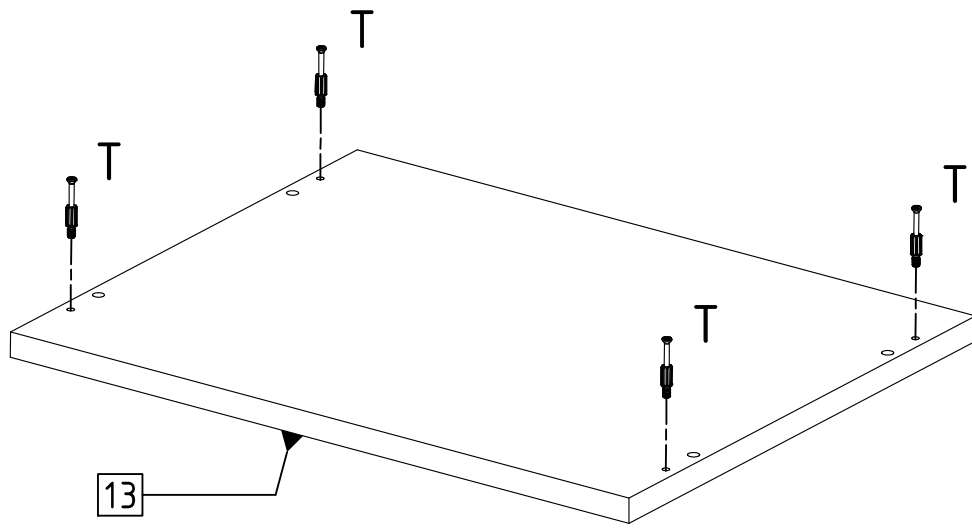
4.



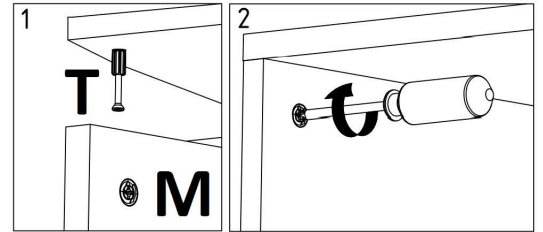
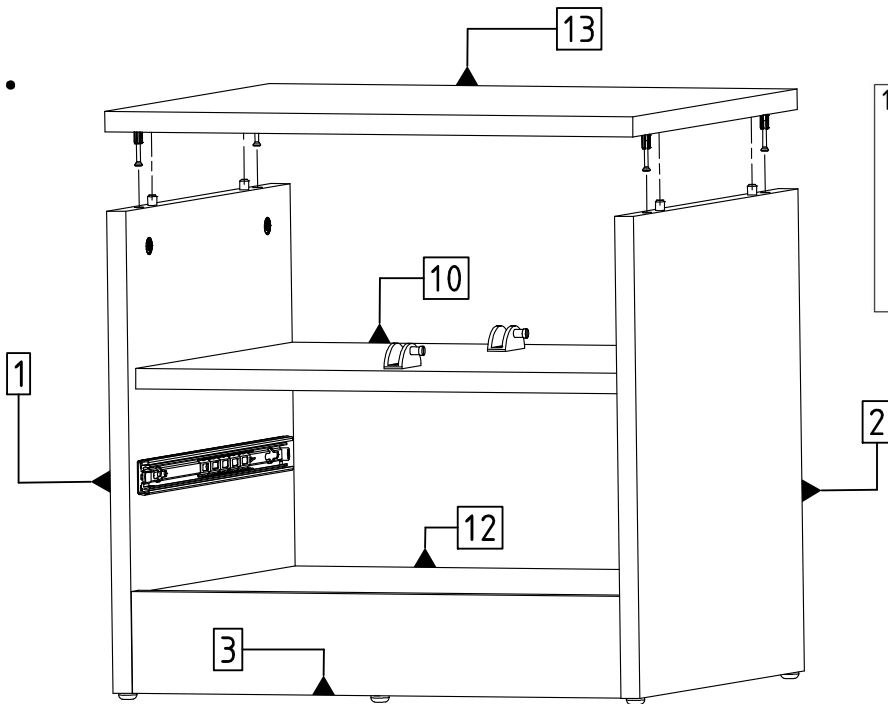
5.



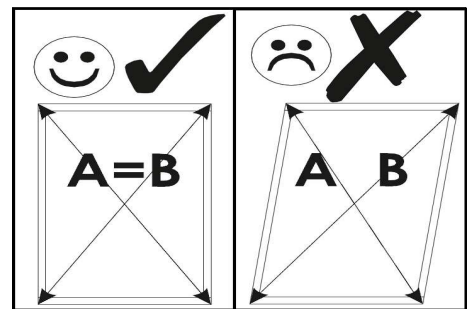
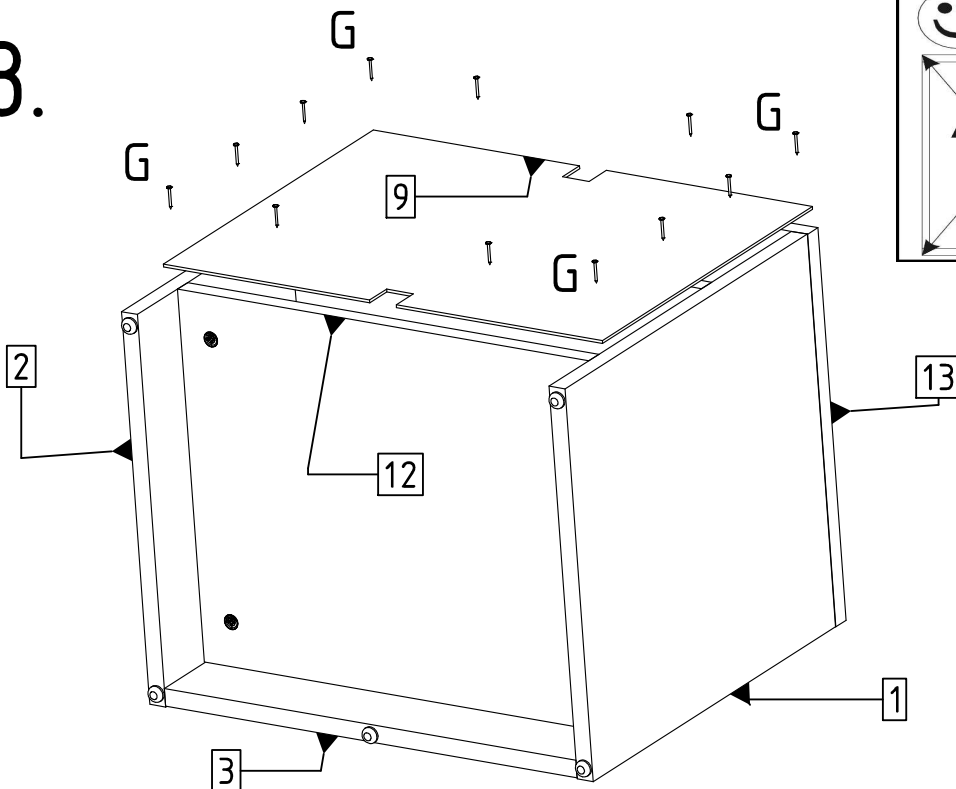
6.



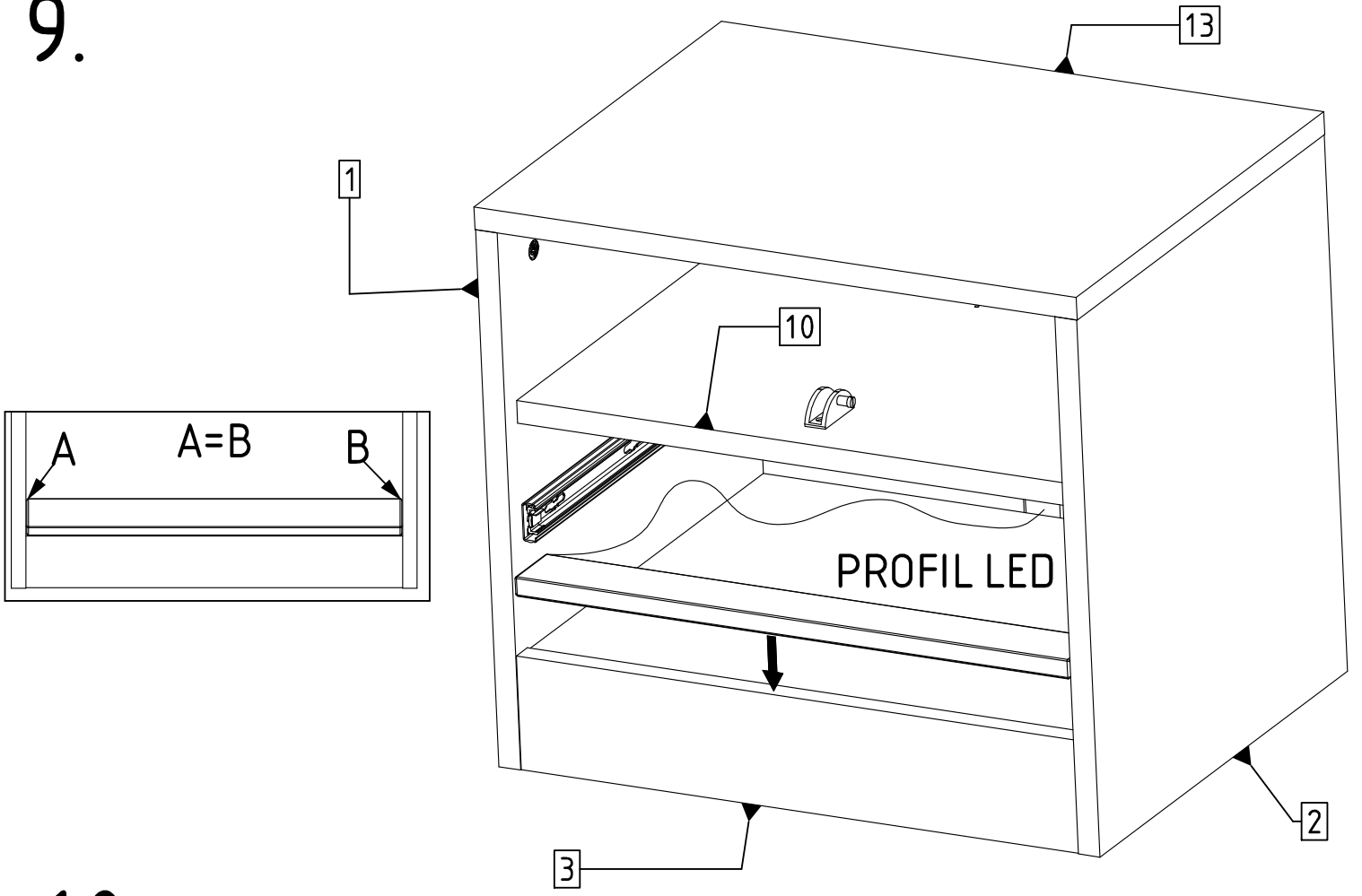
7.



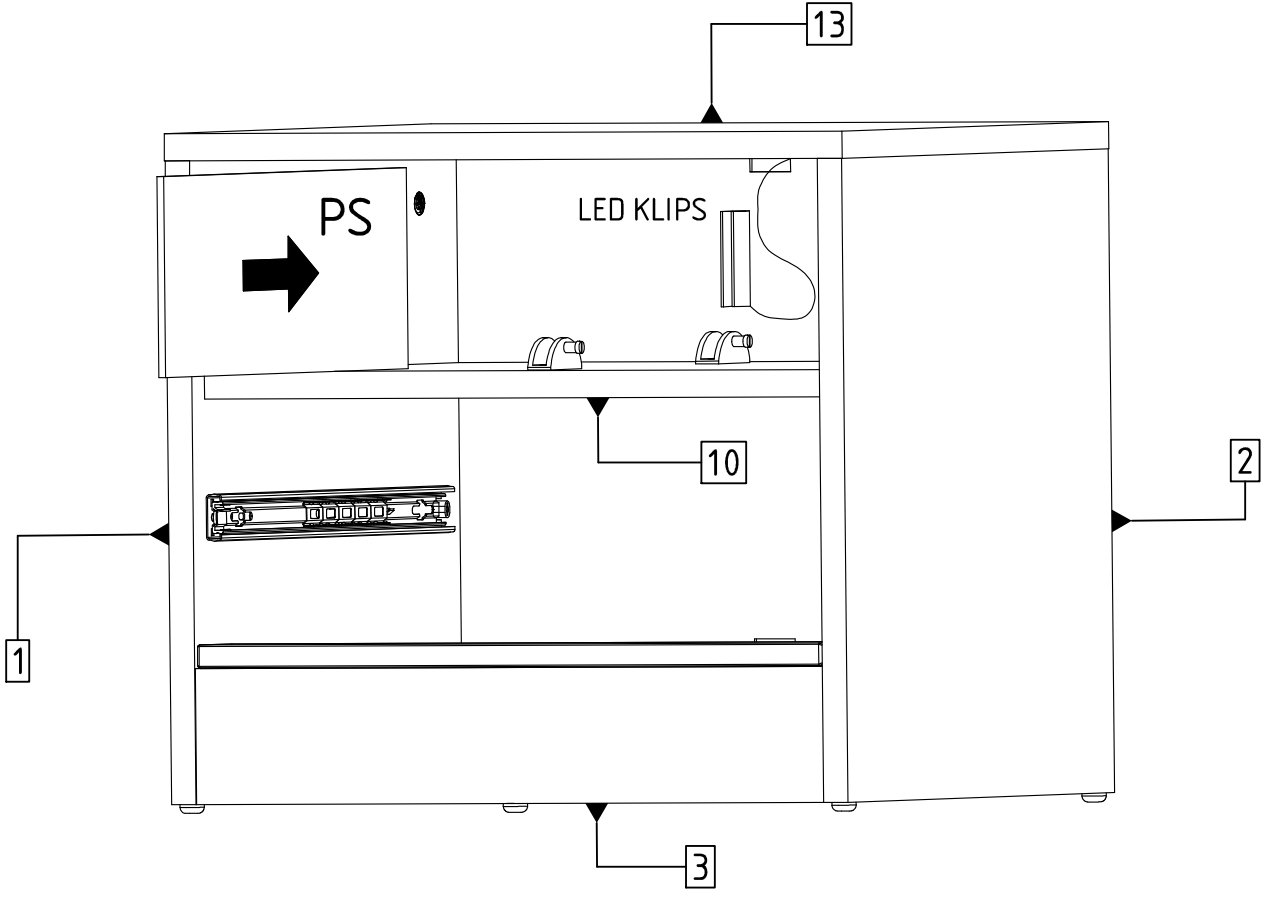
8.



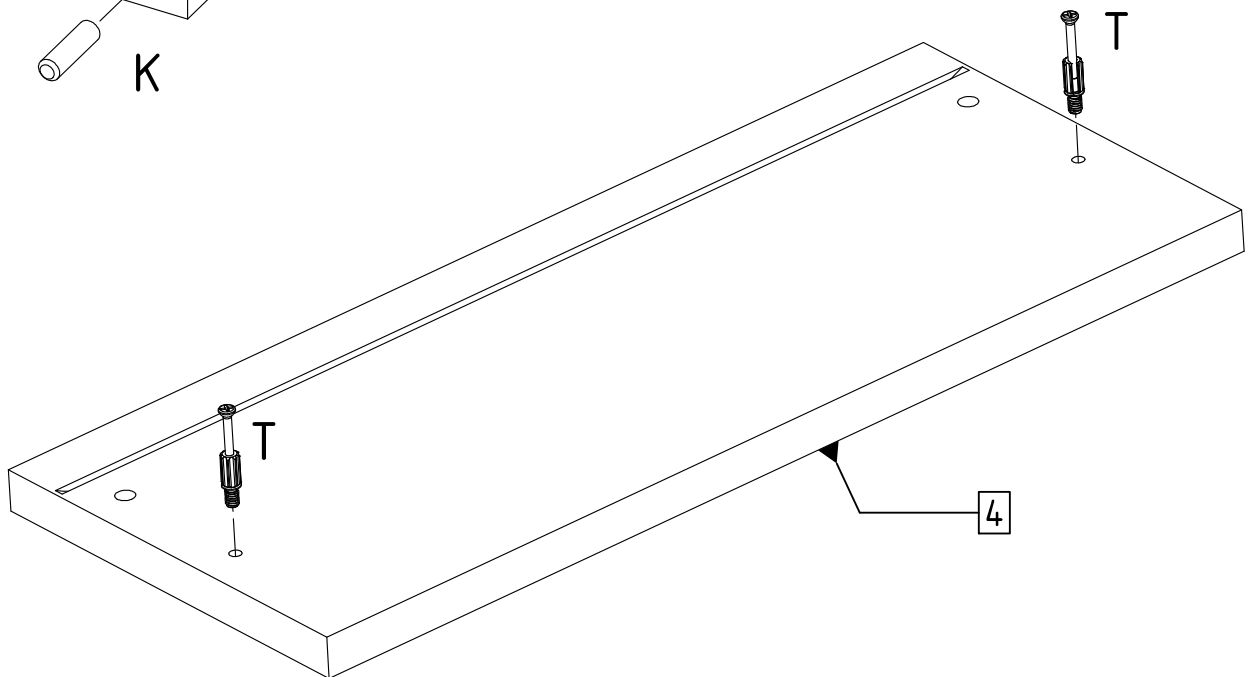
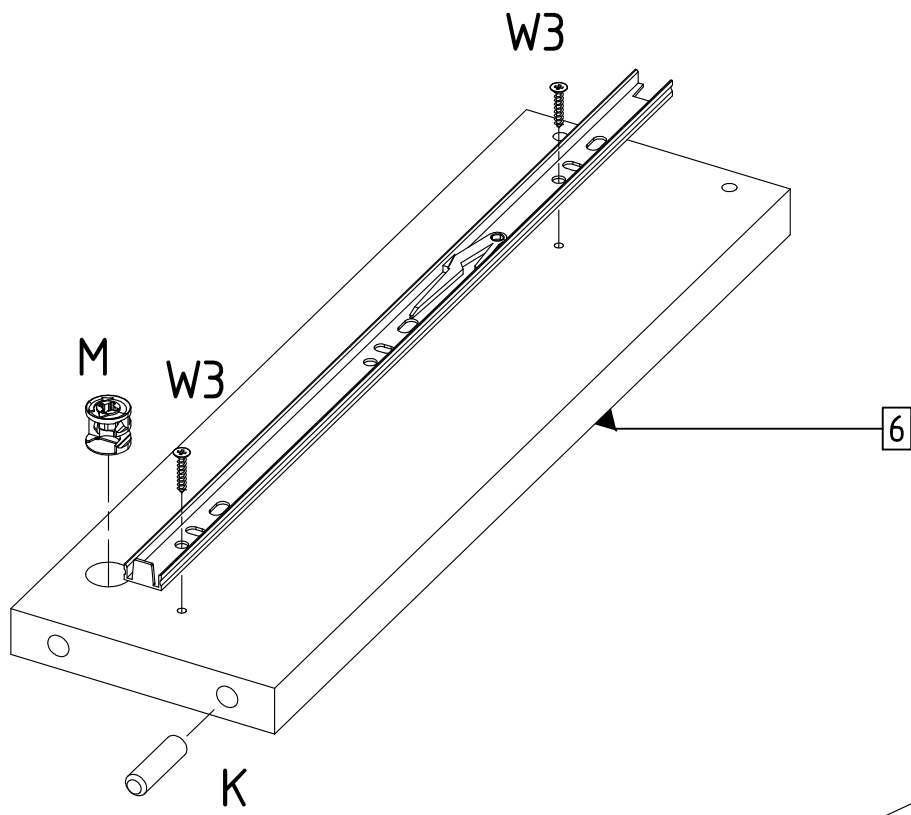
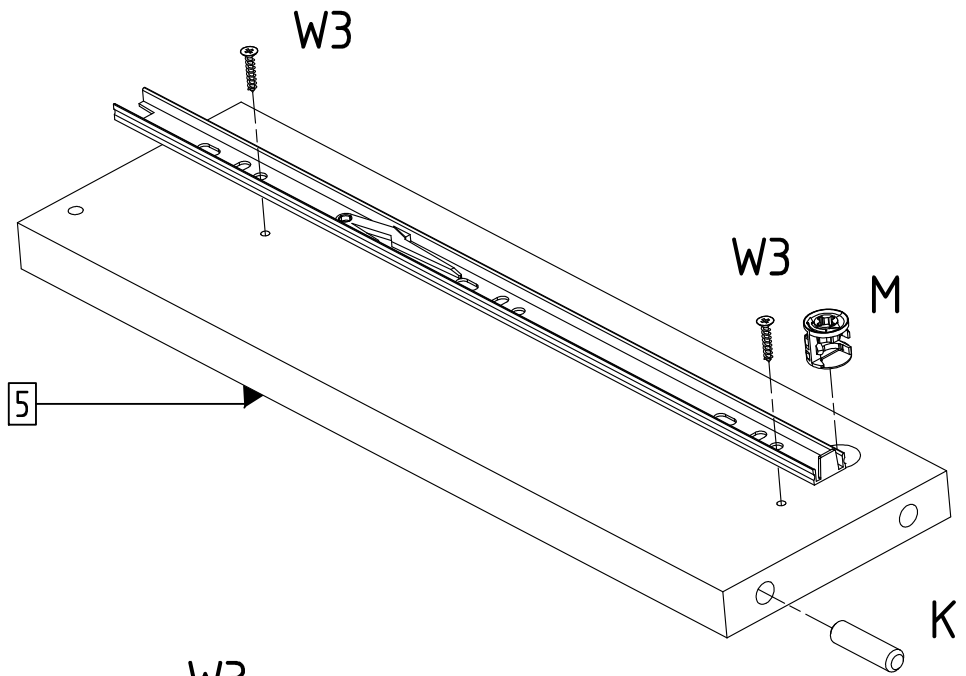
9.



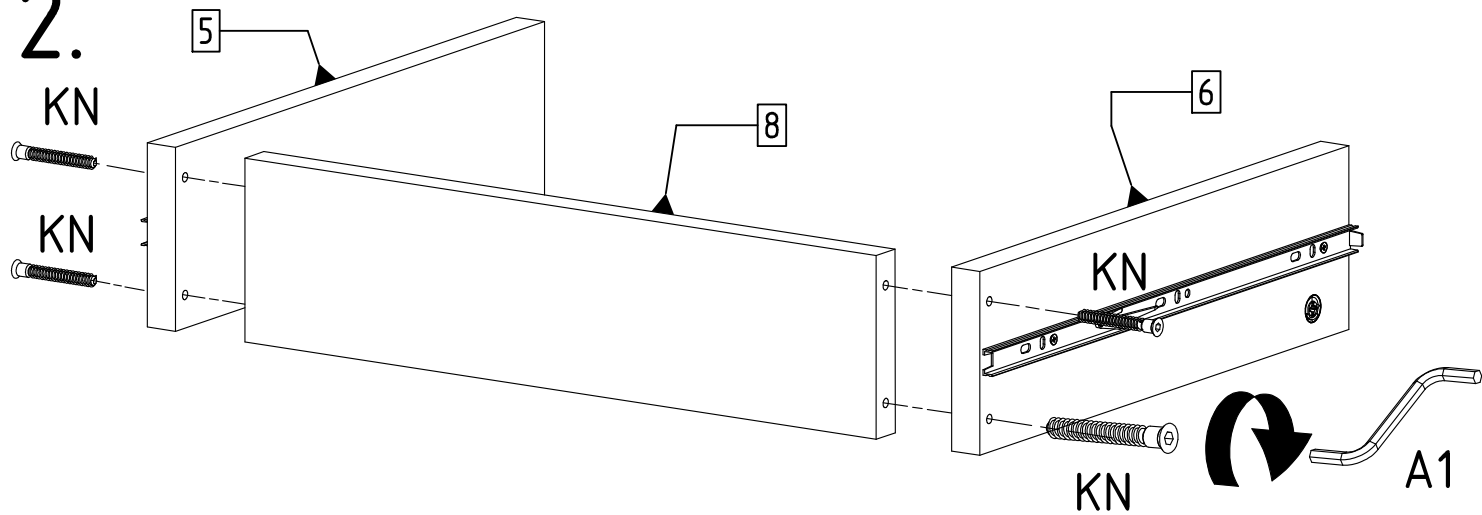
10.



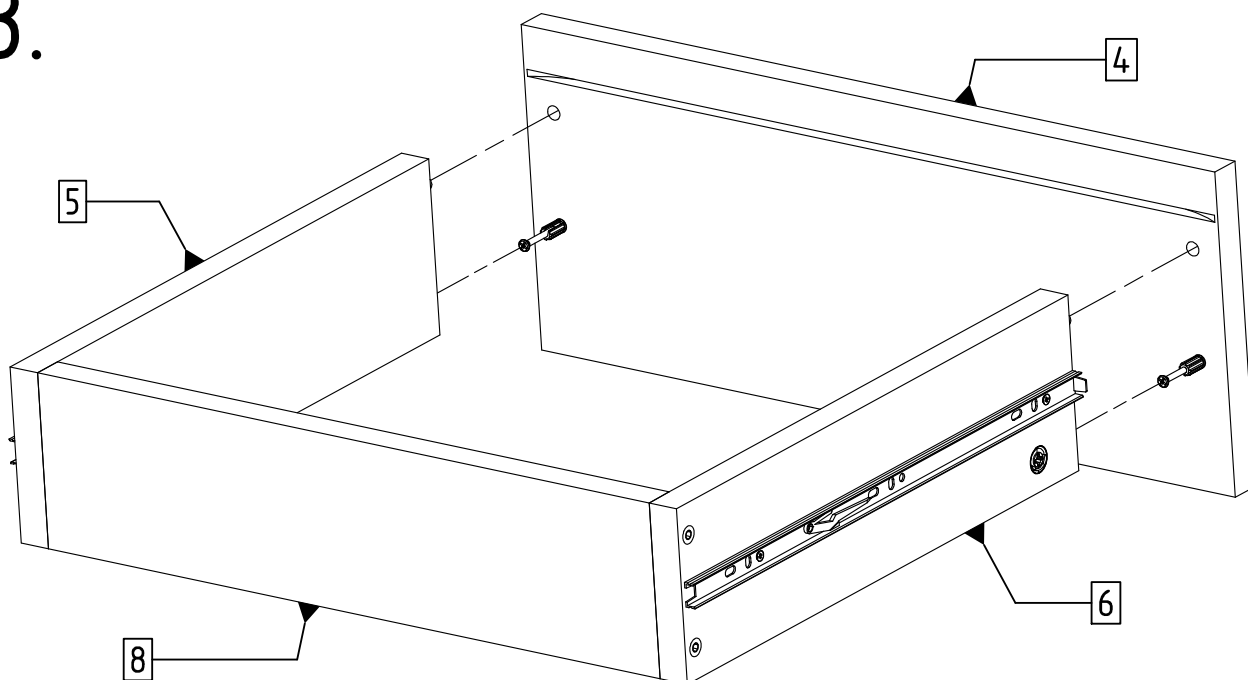
11.



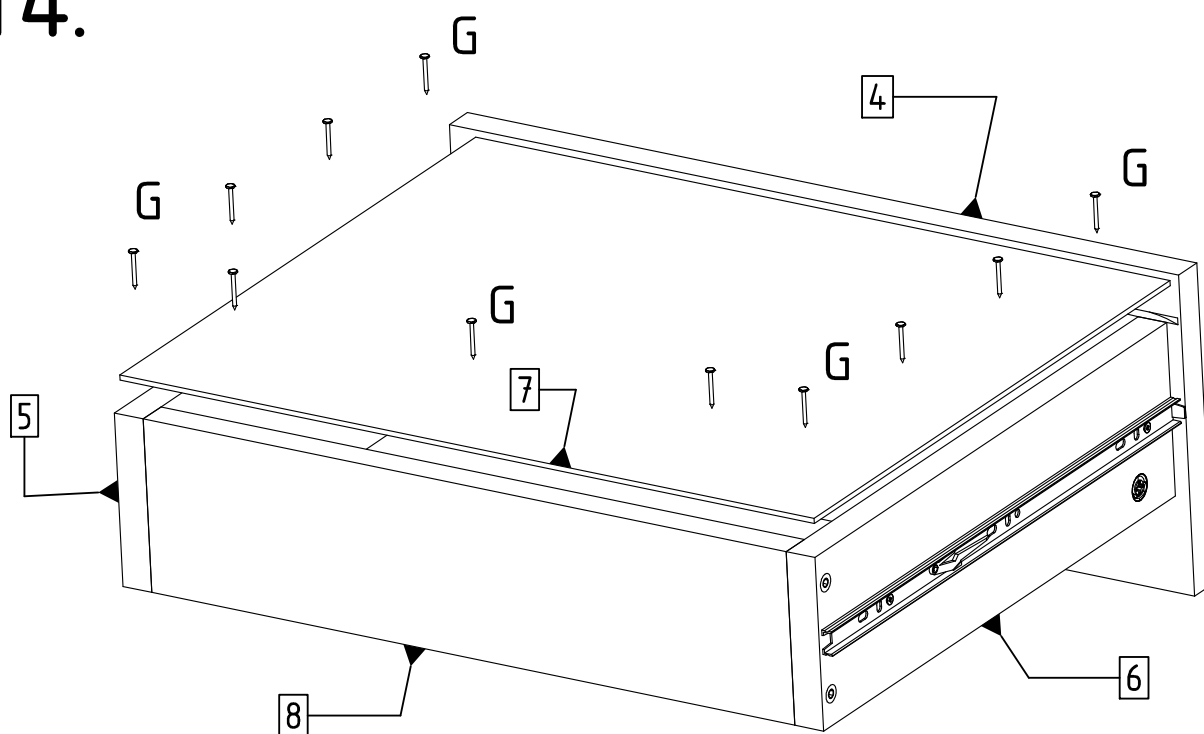
12.



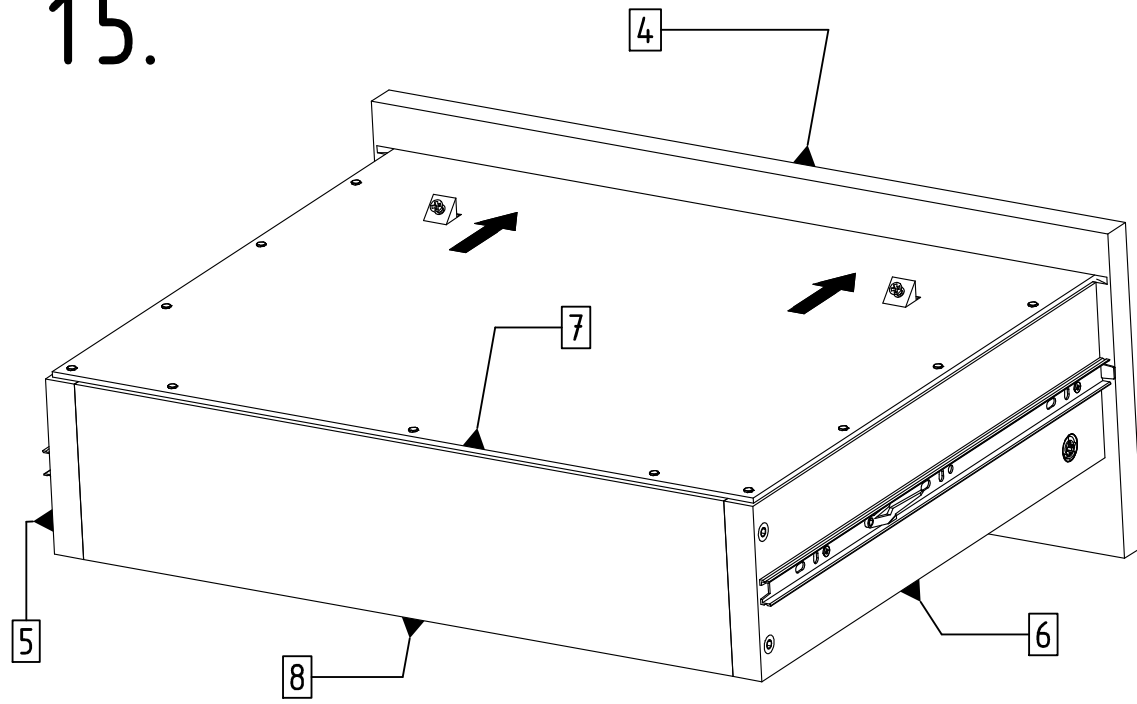
13.



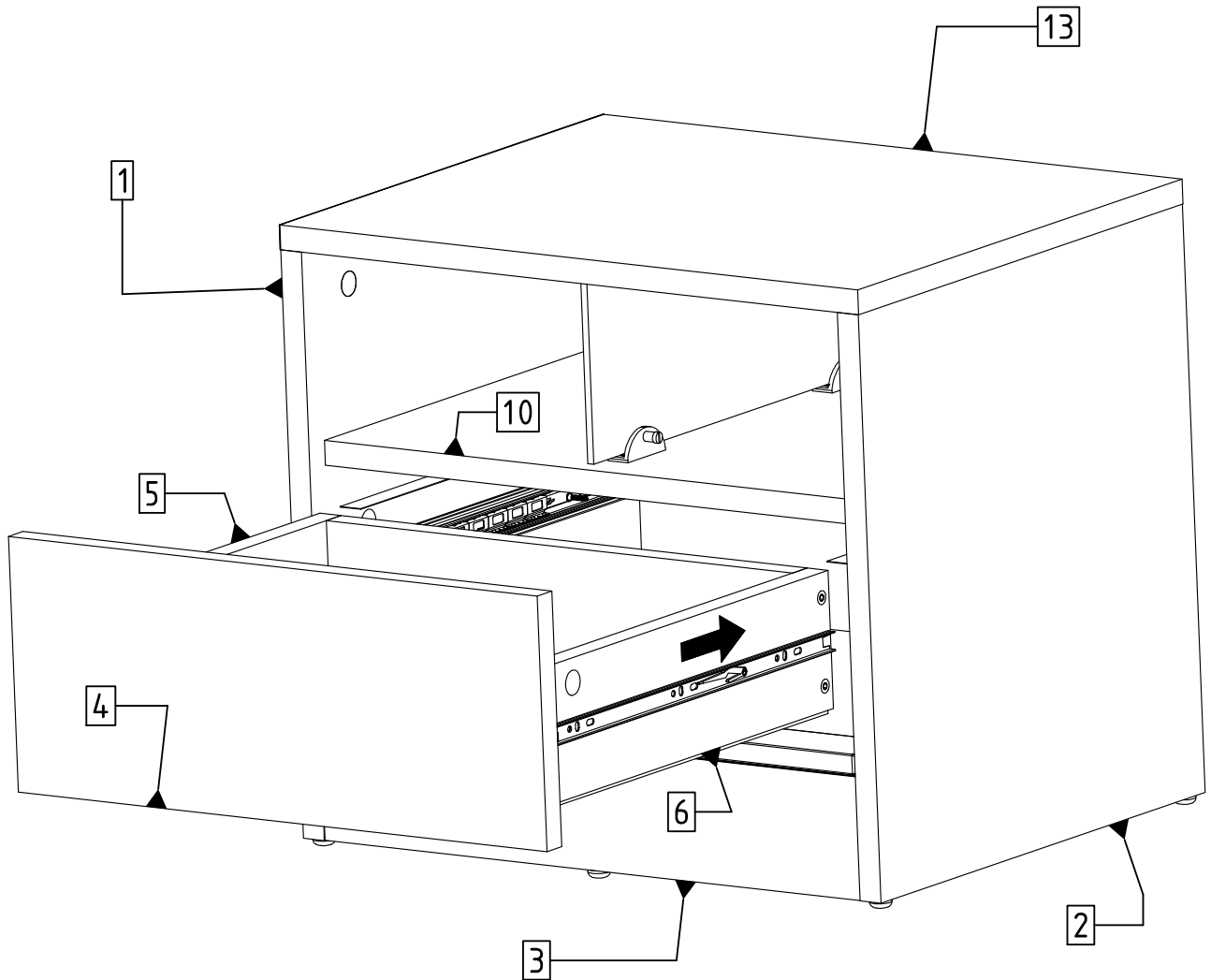
14.



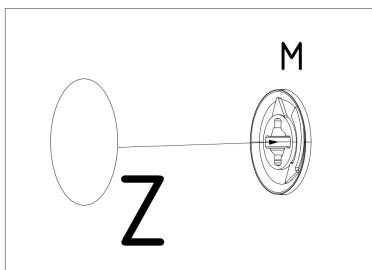
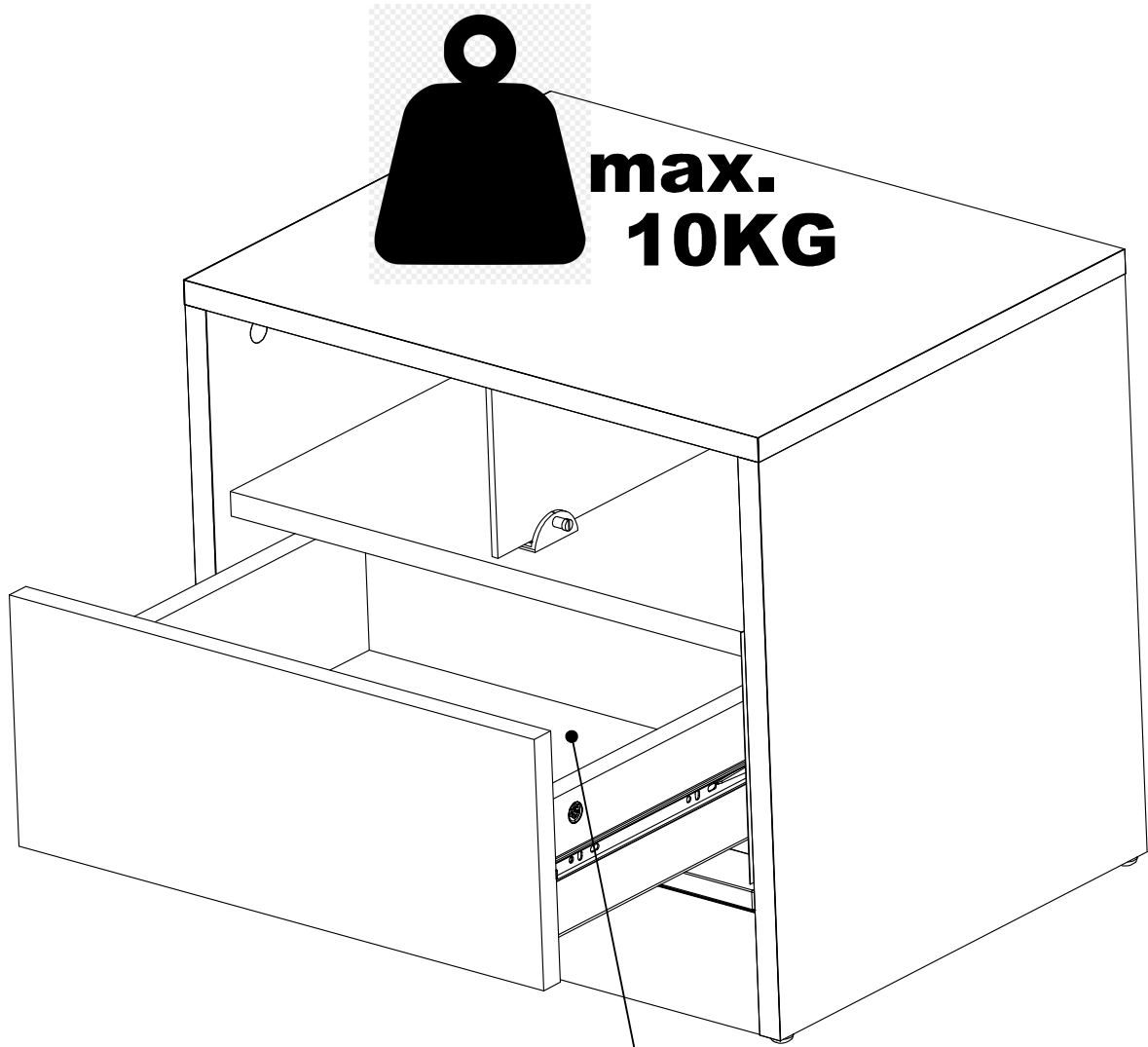
15.



16.



17.



**max.
5kg**

