

VISION

VISION 06

OP-146

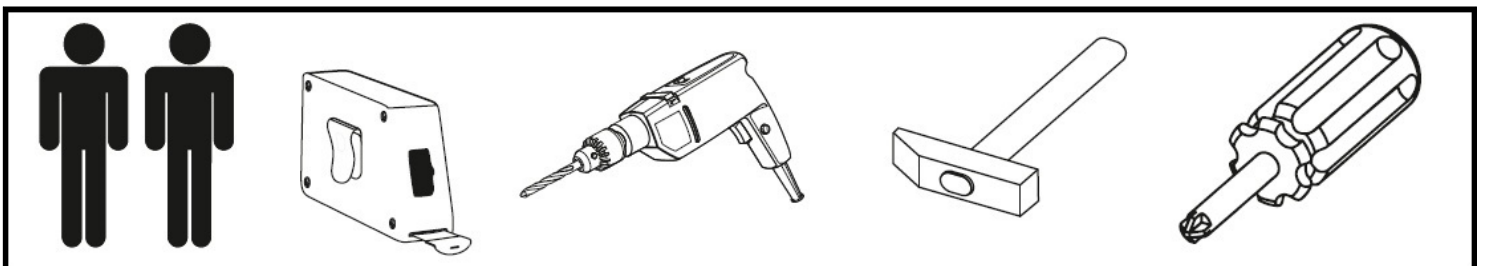
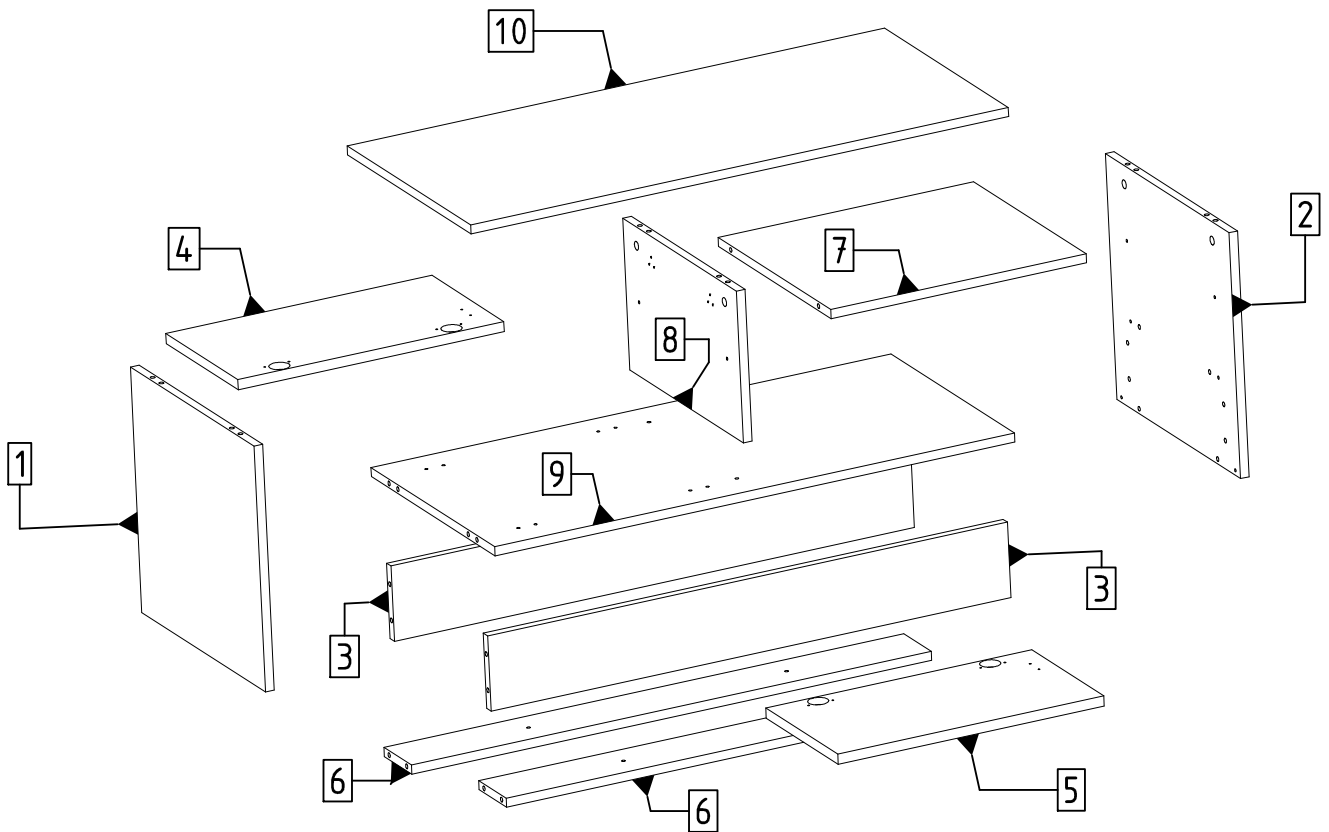
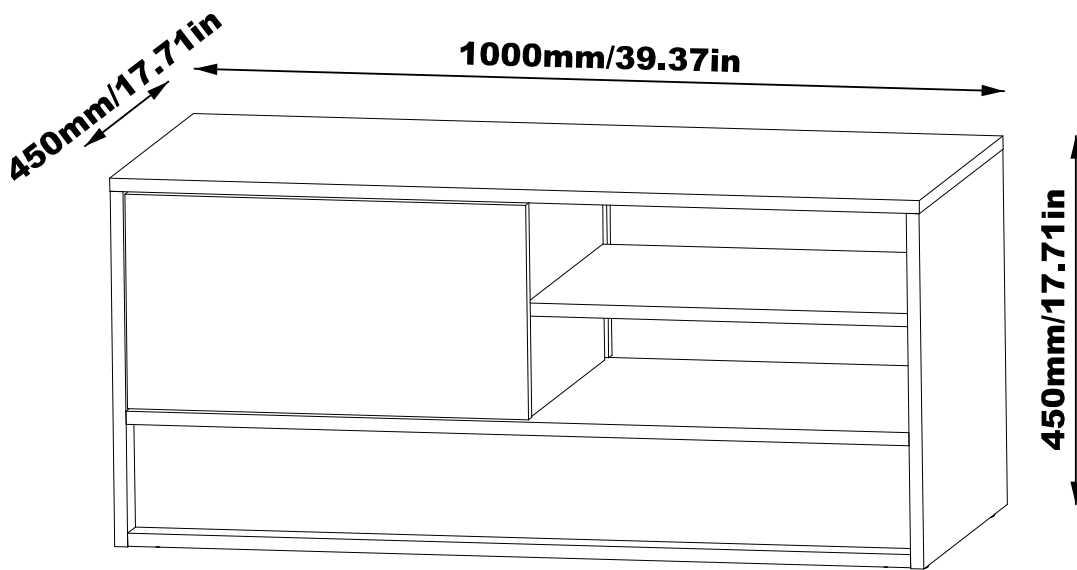
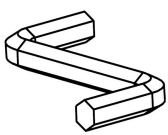
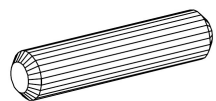
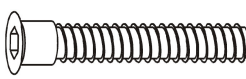

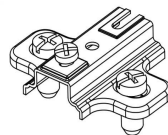
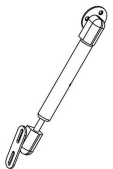
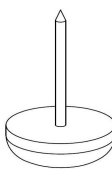
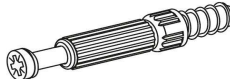
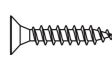
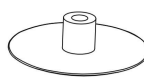
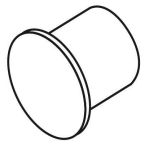
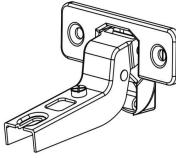
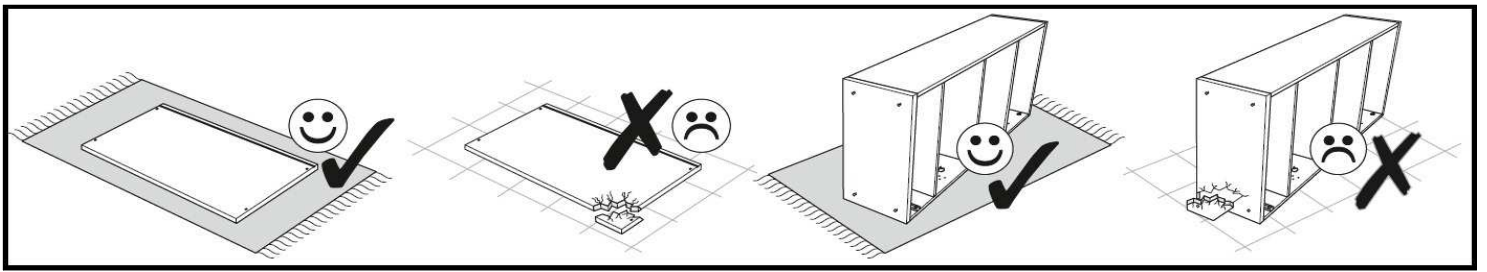


Table accessories

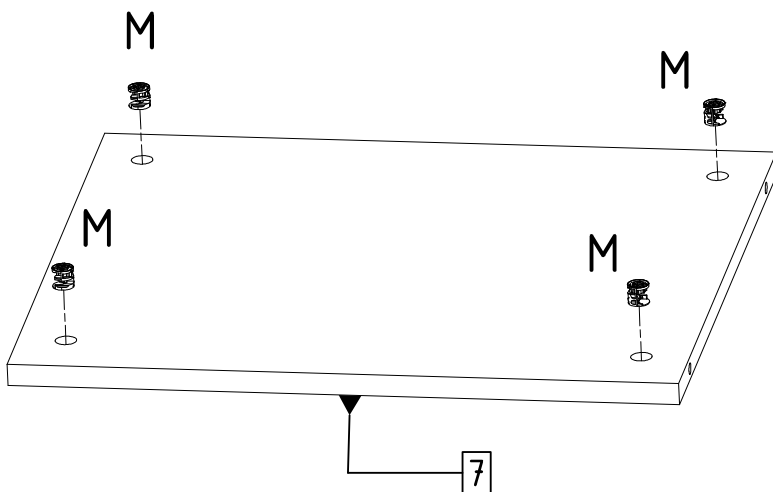
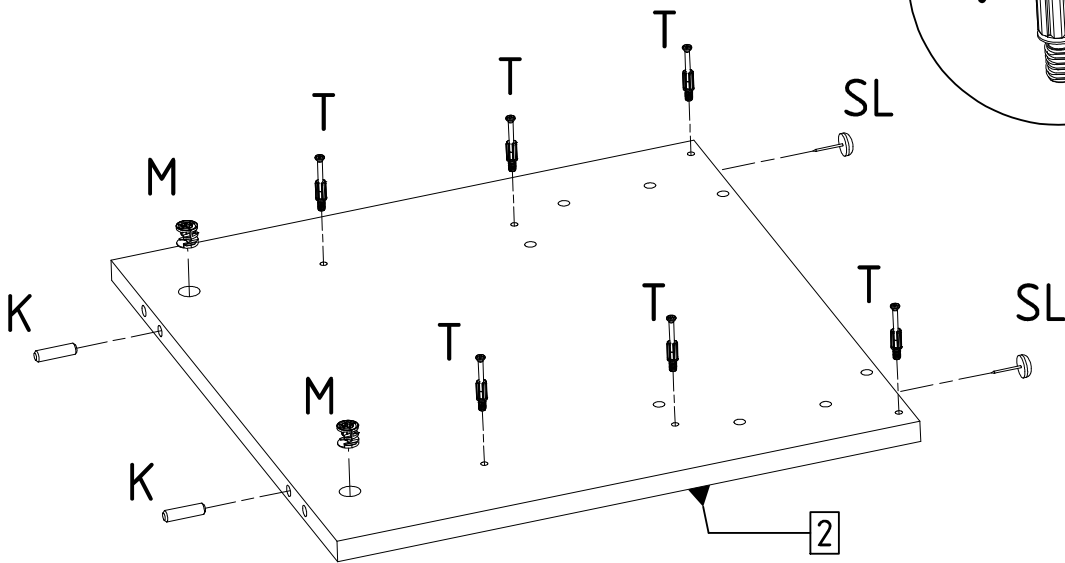
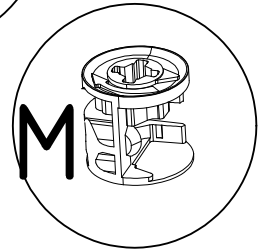
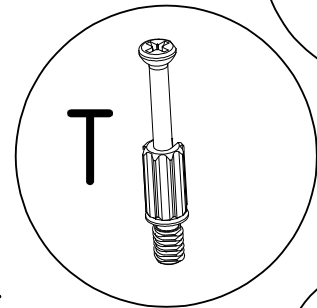
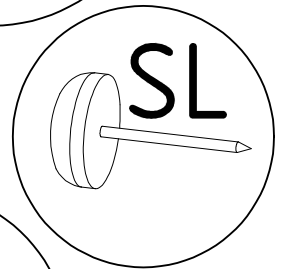
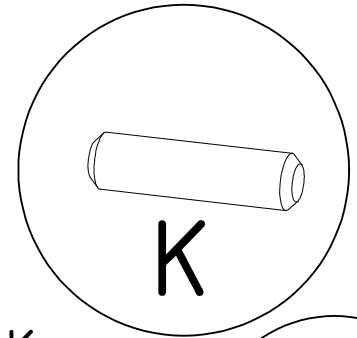
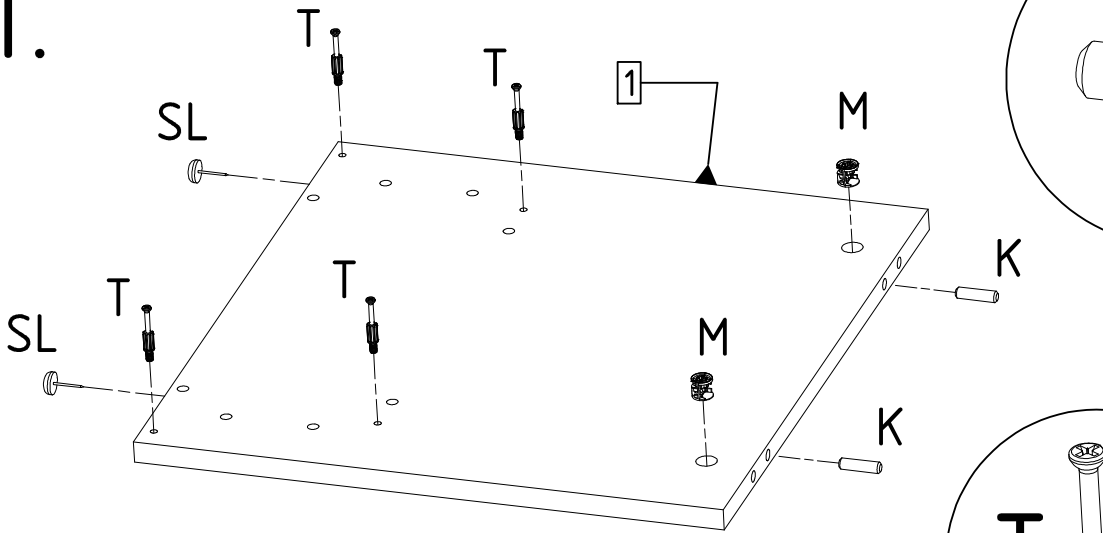
VISION 06

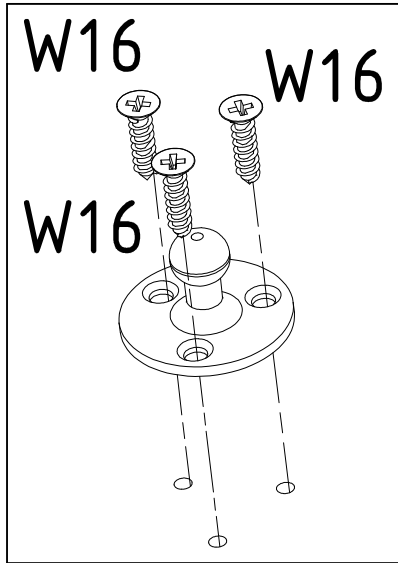
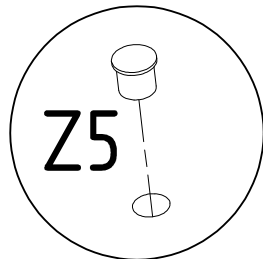
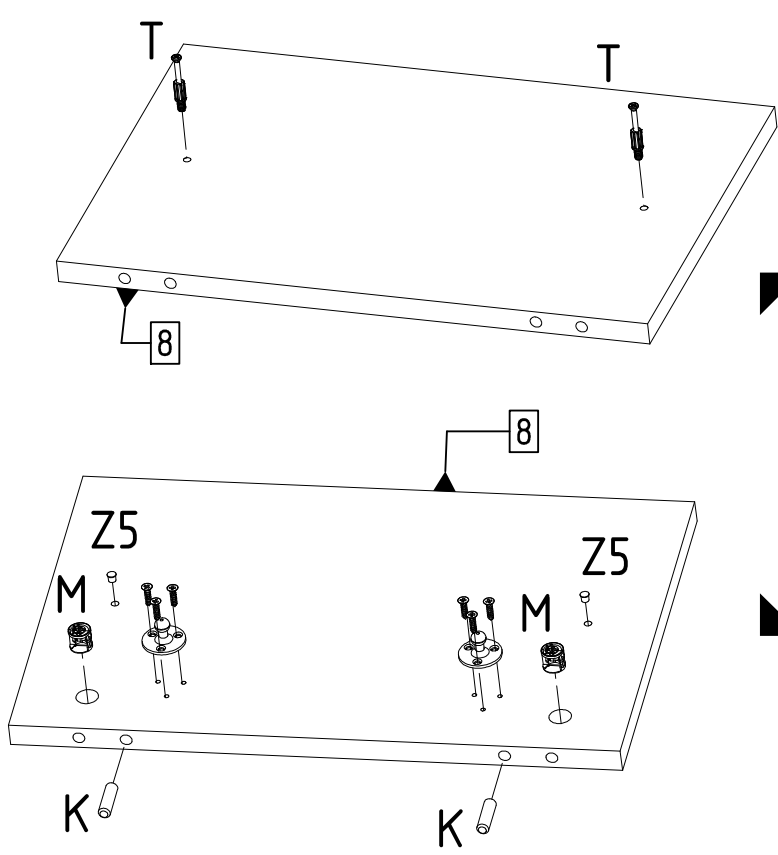
 A1	8 x 30  K	6,3 X 50  KN	15 x 12  M	 PRE
 SB	 SL	6 x 34 mm  T	4 x 16  W16	 Z
 Z5	 ZP5			

Elements				Accessories	
SYMBOL	LENGTH	WIDTH	QUANTITY	SYMBOL	QUANTITY
BL [1]	450	434	1	A1	1
BP [2]	450	434	1	K	22
CD [3]	967	133	2	KN	6
FT1 [4]	495	262	1	M	18
FT2 [5]	495	262	1	PRE	4
LT [6]	967	100	2	SB	2
PP [7]	475	410	1	SL	6
PPIO [8]	414	268	1	T	18
WD [9]	967	450	1	W16	18
WG [10]	1000	450	1	Z	18
				Z5	2
				ZP5	4

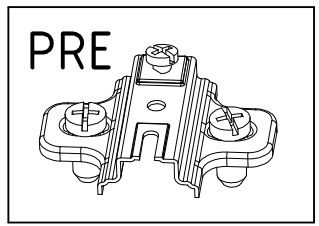
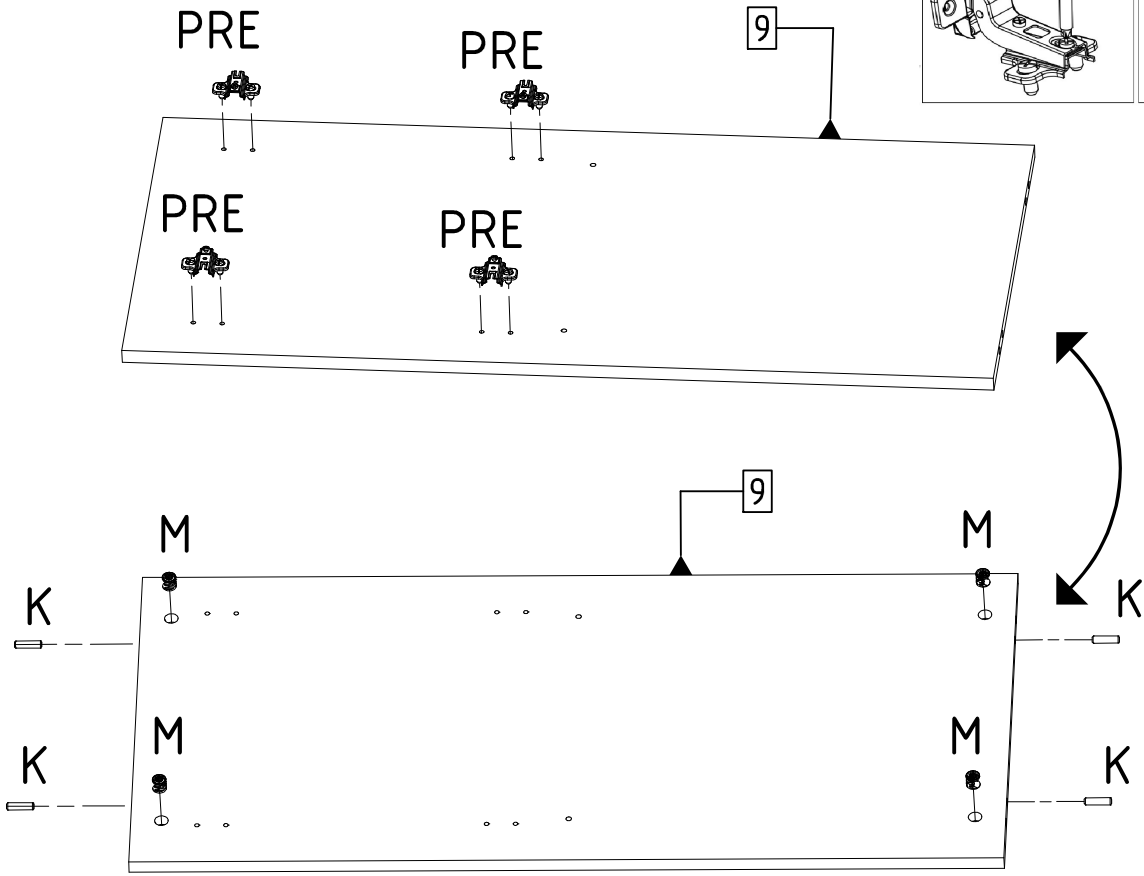
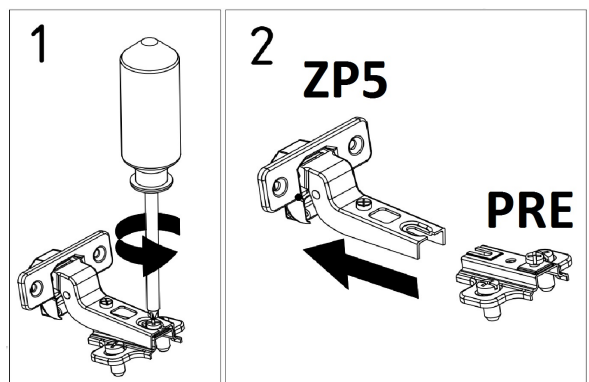


1.

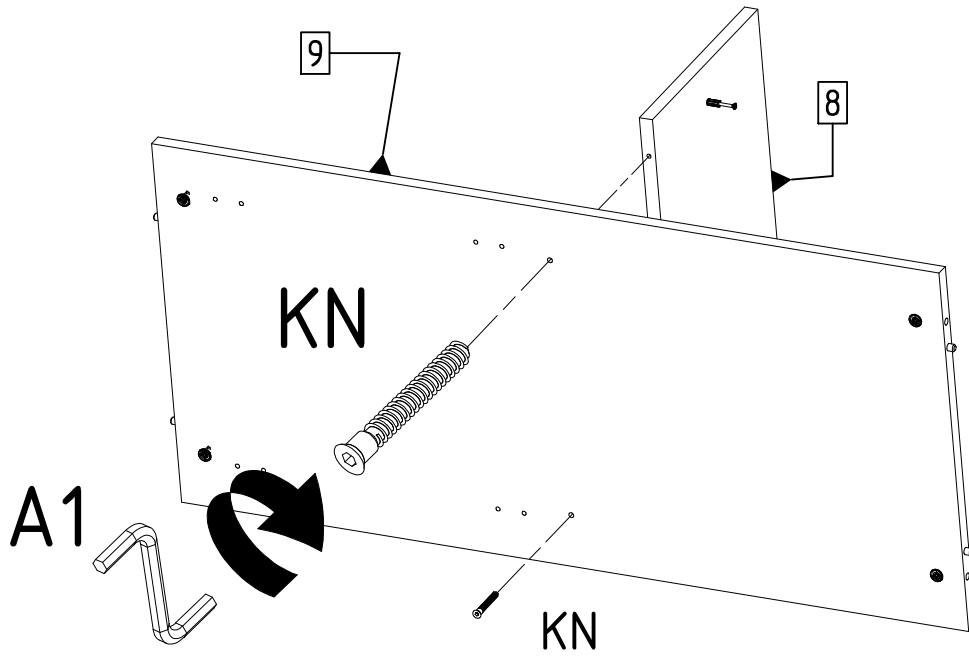




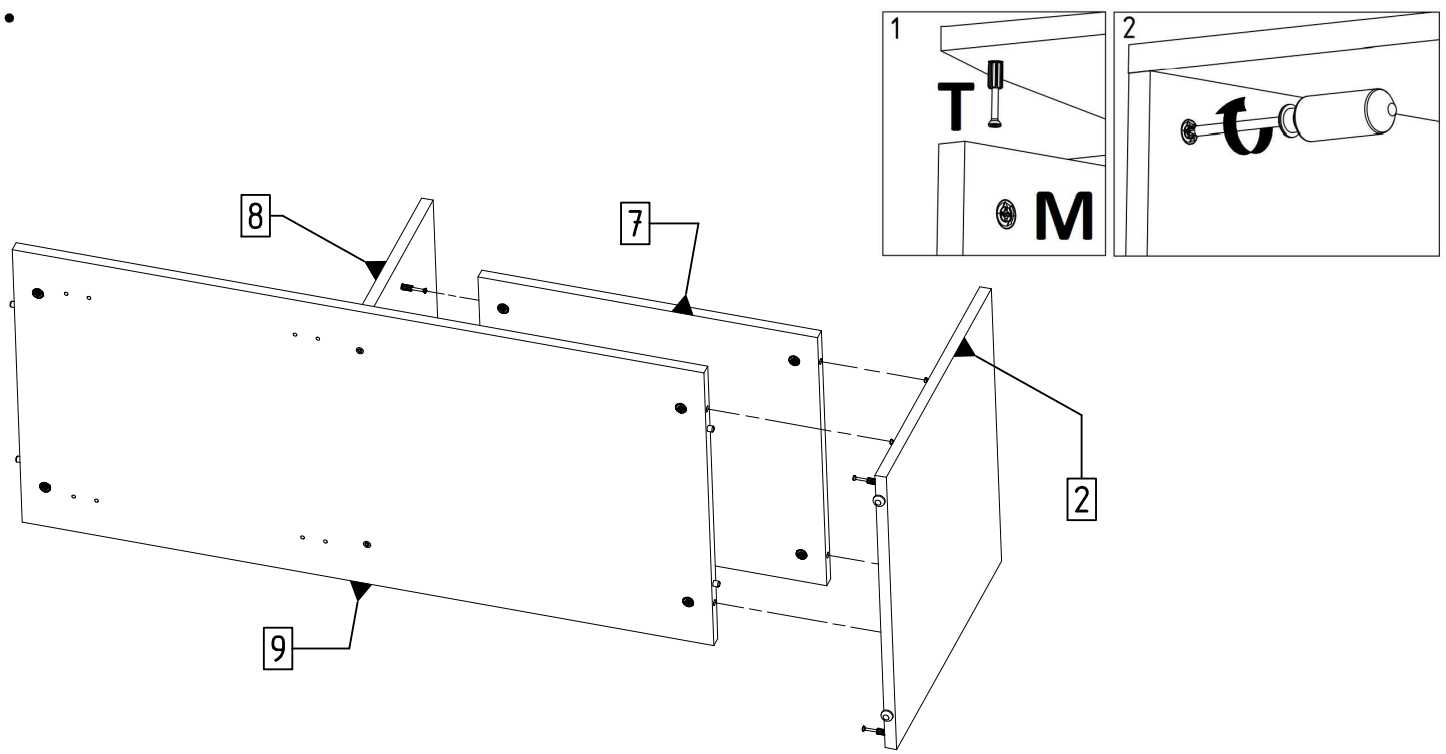
2.



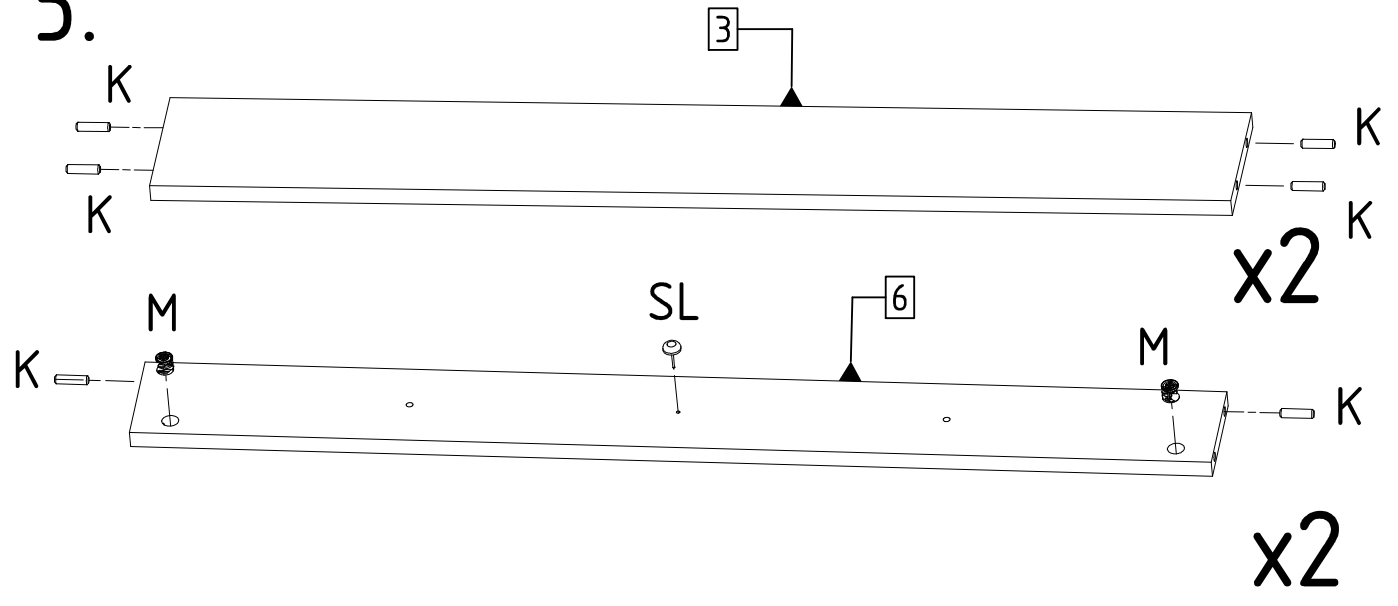
3.



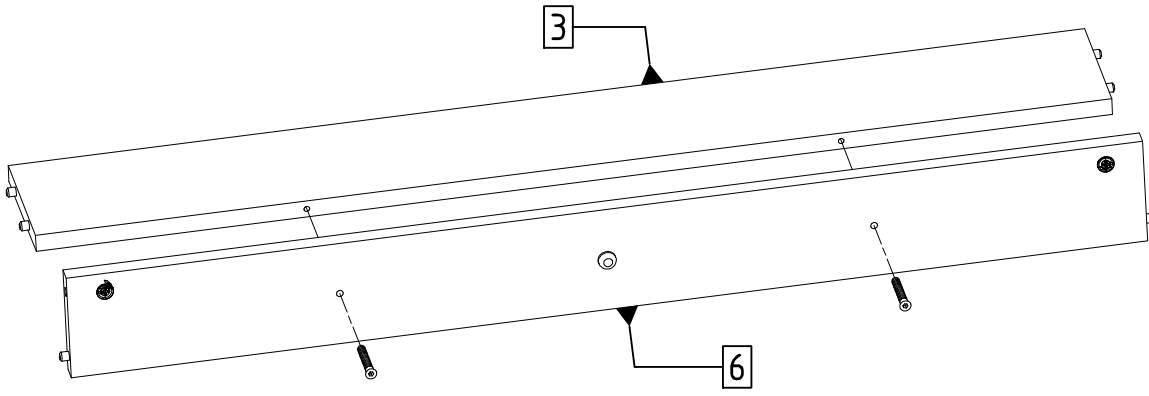
4.



5.

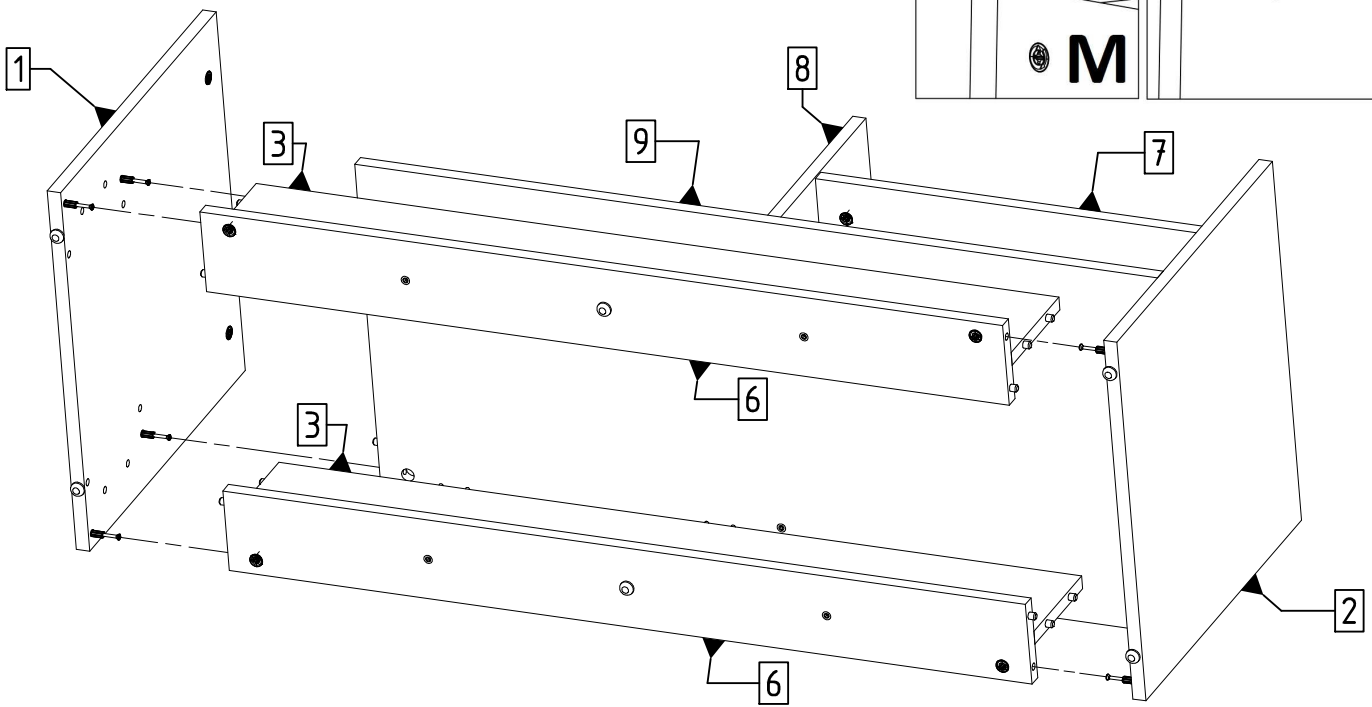


6.

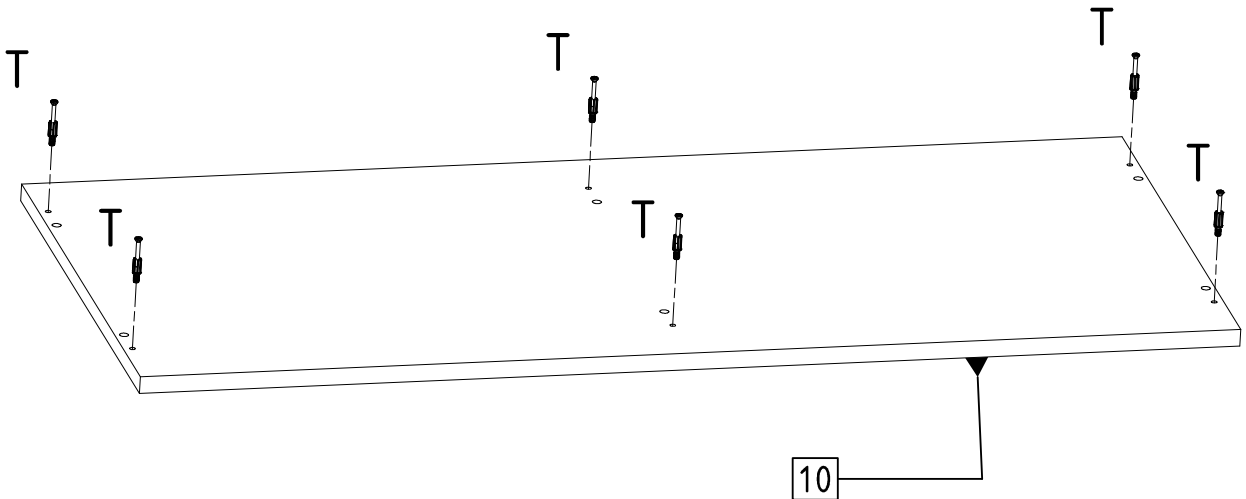


x2

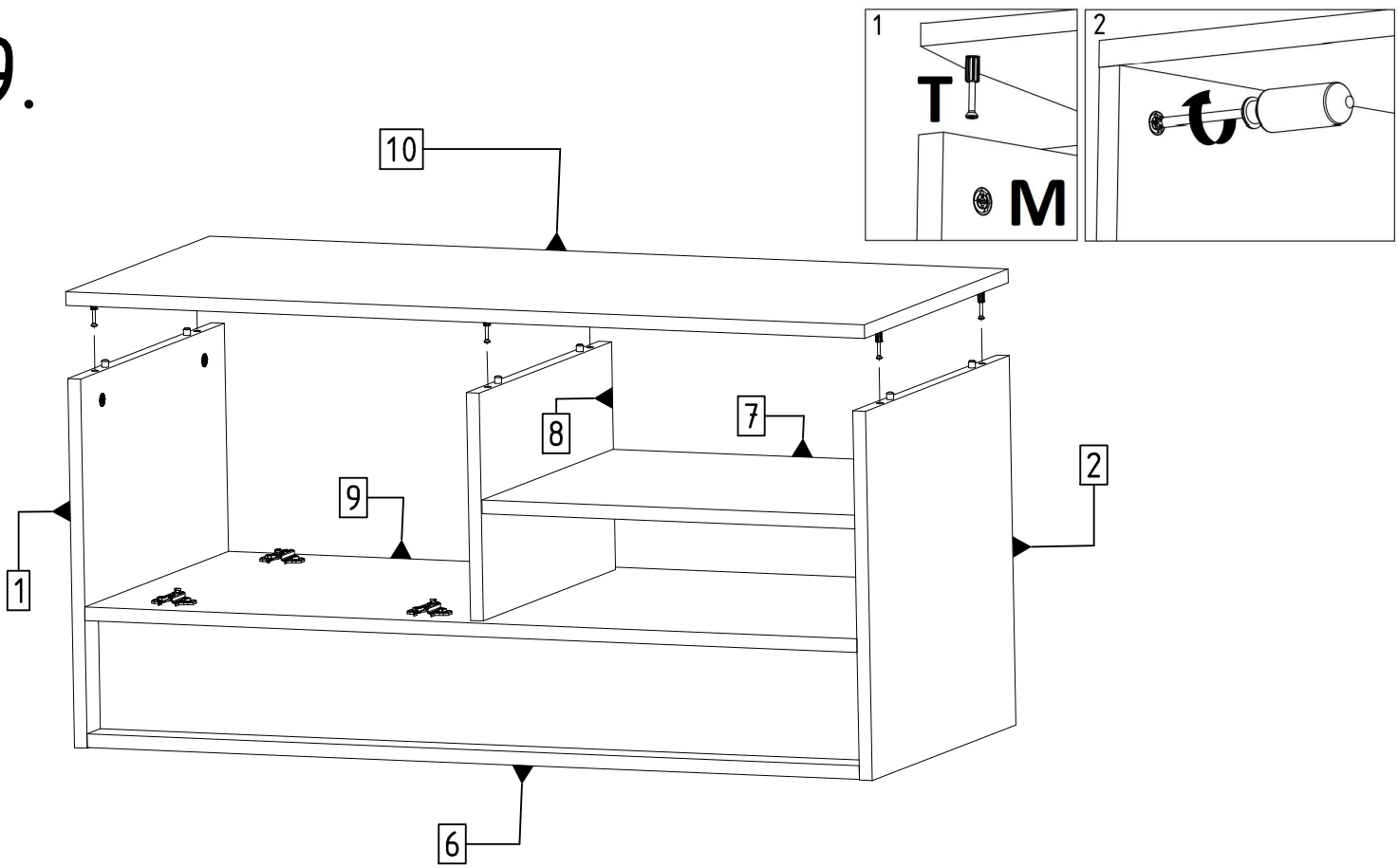
7.



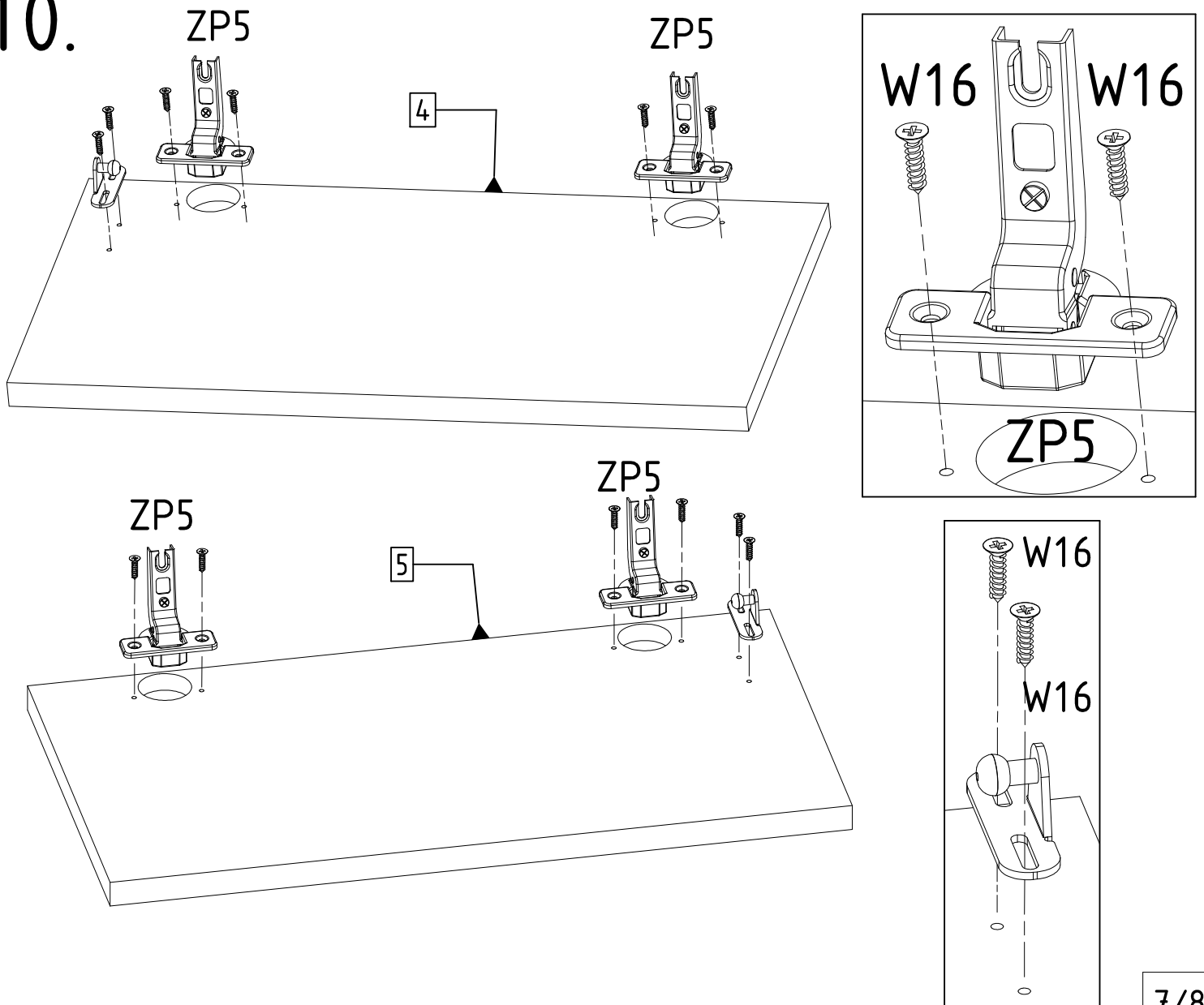
8.



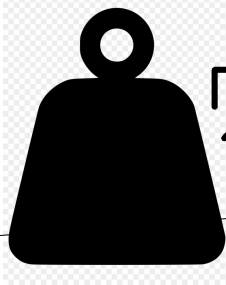
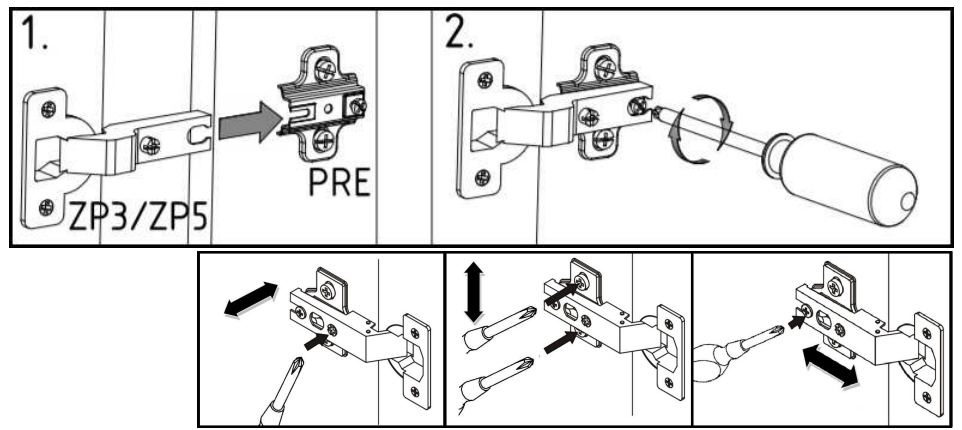
9.



10.



11.



max.
15 kg

