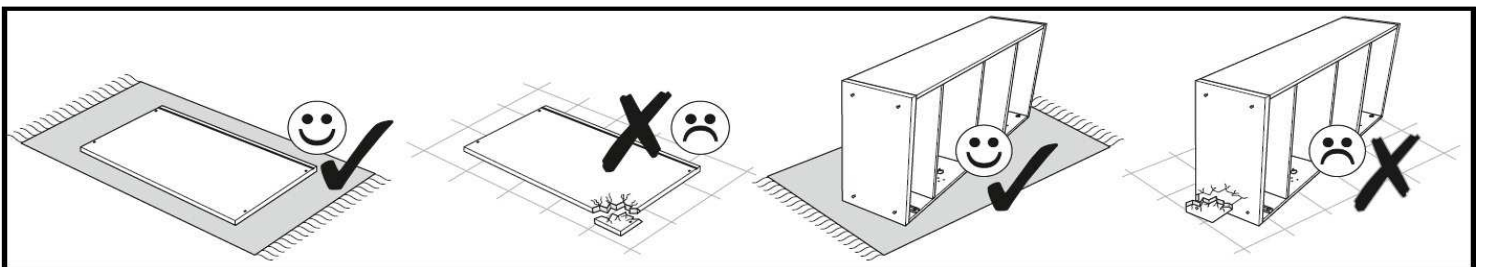
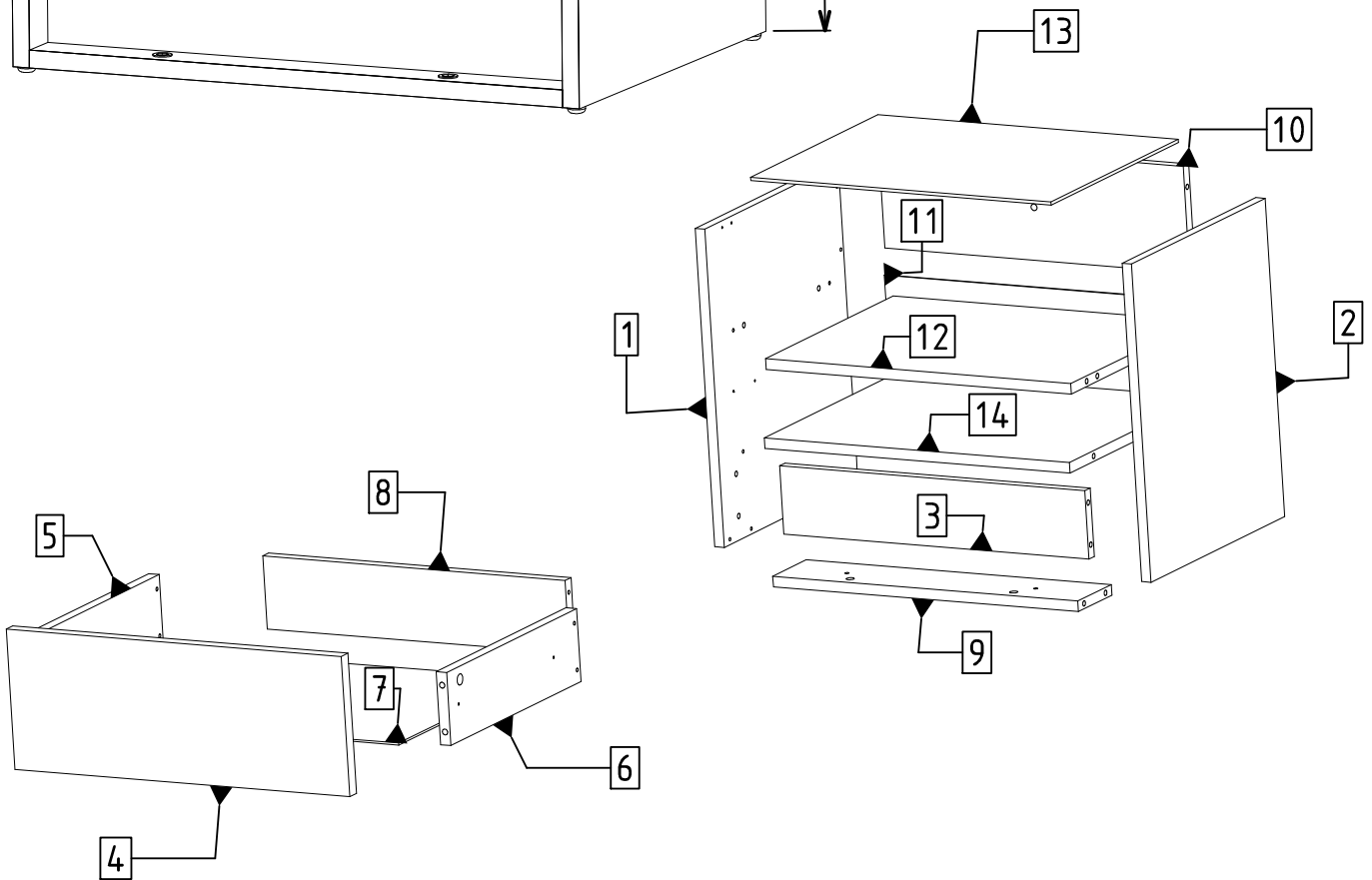
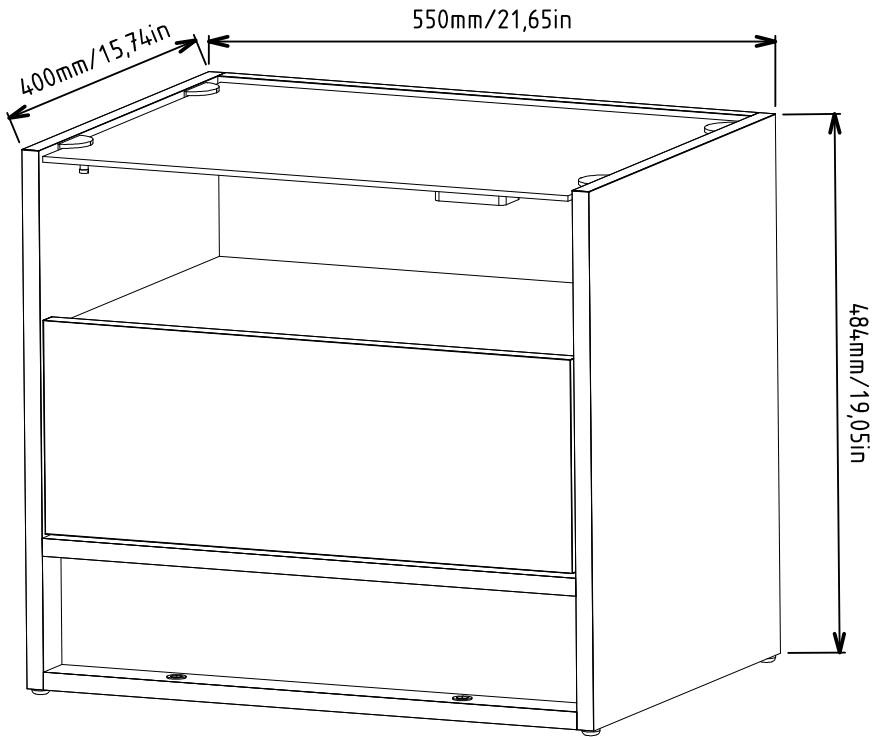


VISION

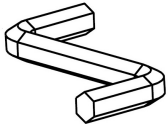
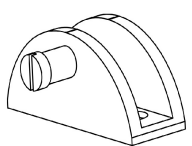

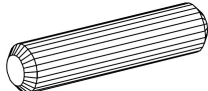
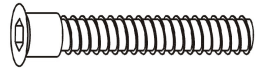

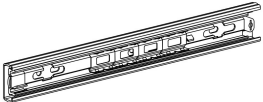

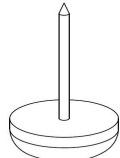
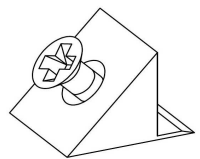


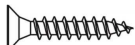

VISION05

OP-95

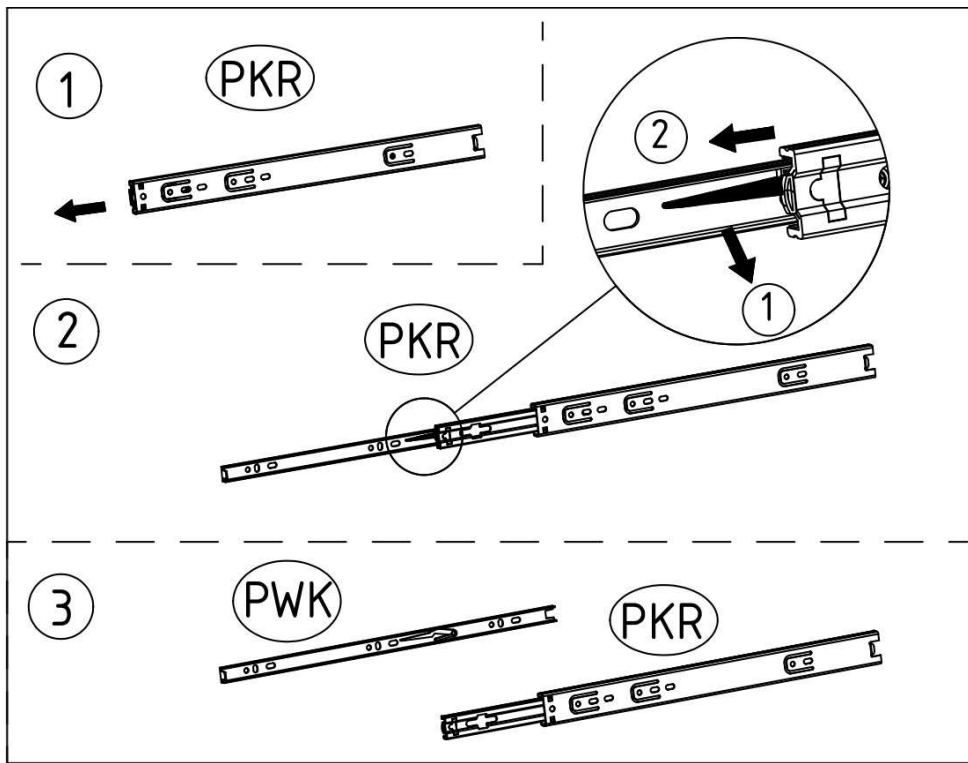


## Table accessories

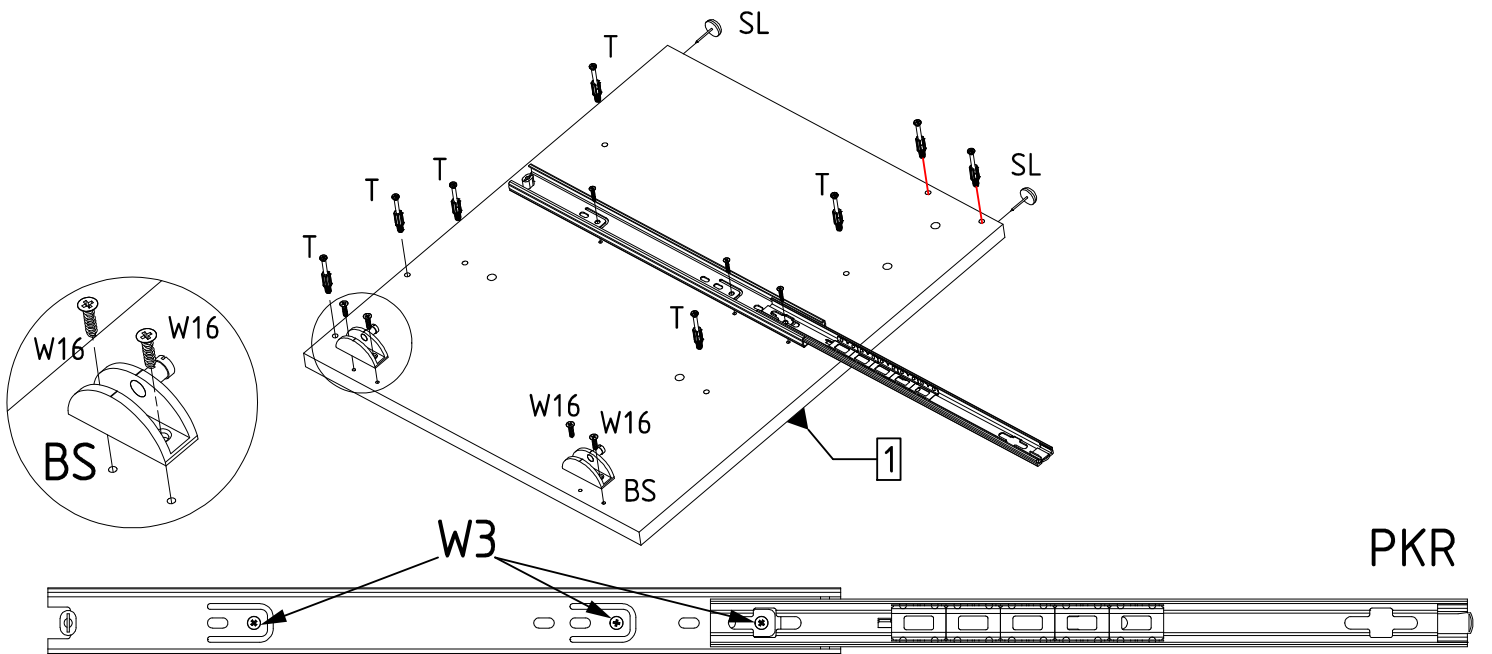
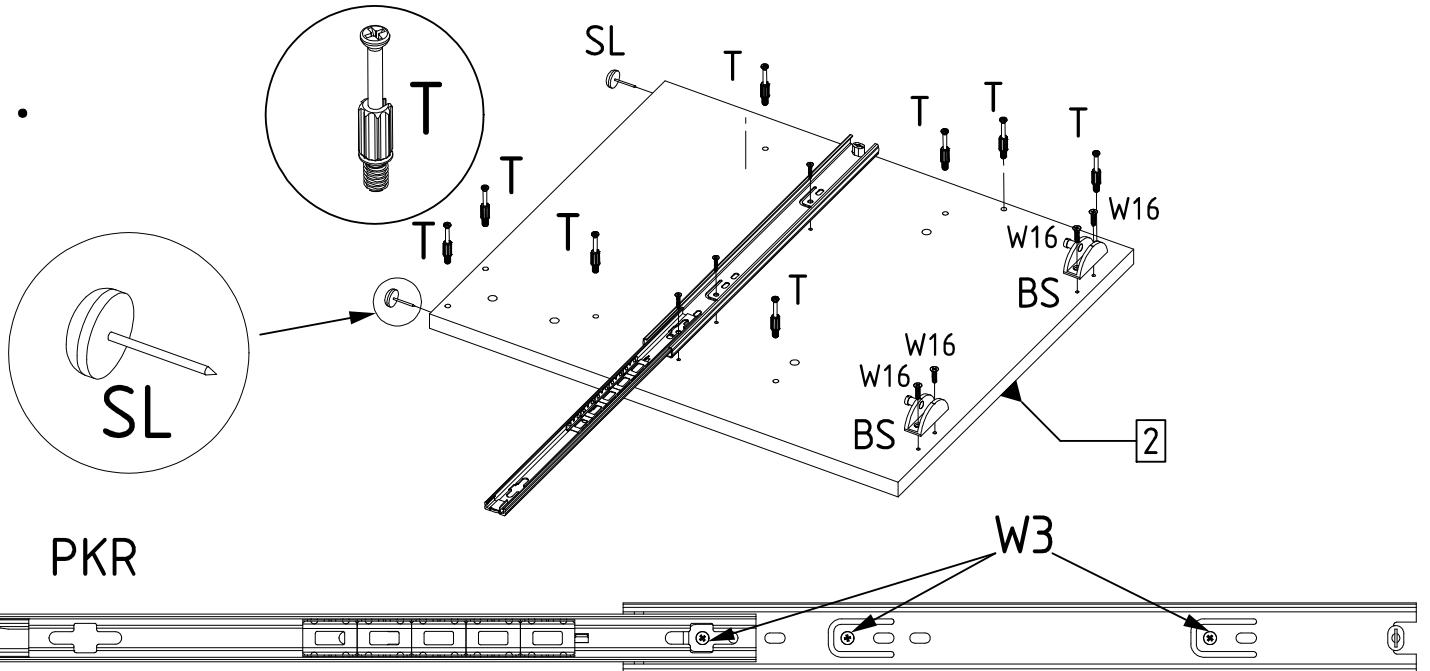
### VISION05

 <b>A1</b>	 <b>BS</b> L350	 <b>G</b> L350	8 x 30  <b>K</b>	6,3 X 50  <b>KN</b>
15 x 12  <b>M</b>	 <b>PKR</b> L350	 <b>PWK</b> L350	 <b>SL</b>	 <b>ST</b>
6 x 34 mm  <b>T</b>	4 x 16  <b>W16</b>	3 x 16mm  <b>W3</b>	 <b>Z</b>	

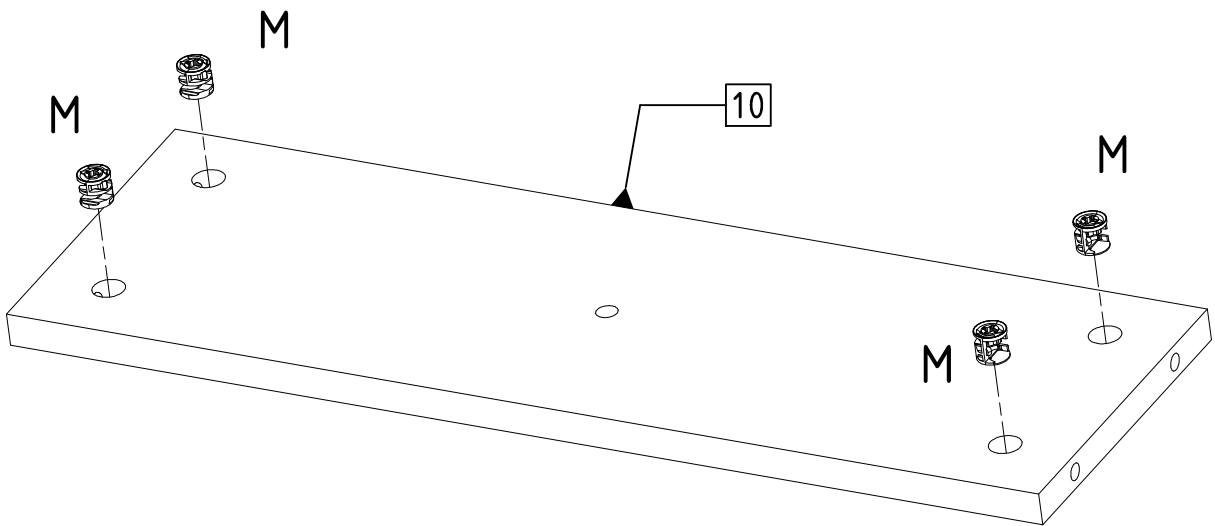
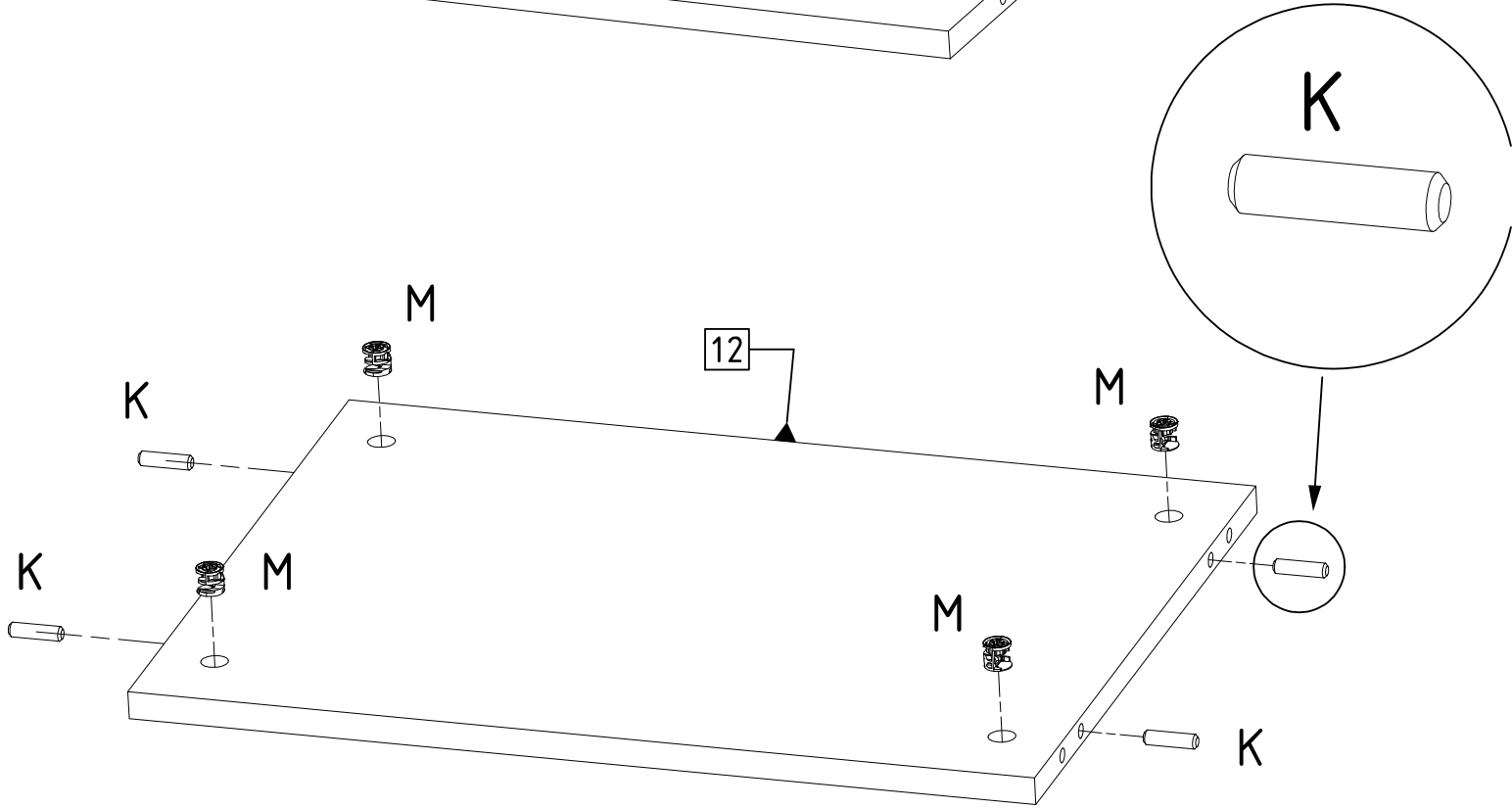
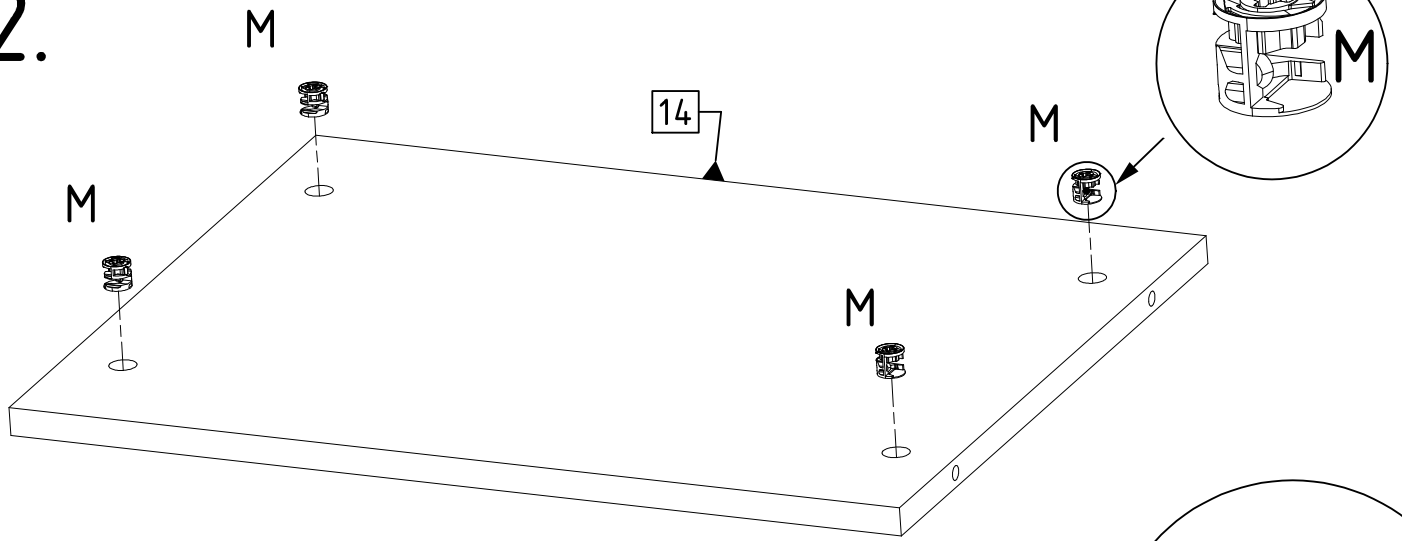
Elements				Accessories	
SYMBOL	LENGTH	WIDTH	QUANTITY	SYMBOL	QUANTITY
BL [1]	484	400	1	A1	1
BP [2]	484	400	1	BS	4
CD [3]	517	104	1	G	21
FTS [4]	511	192	1	K	10
KBL [5]	350	100	1	KN	6
KBP [6]	350	100	1	M	18
KD [7]	489	354	1	PKR [L=350]	2
KT [8]	461	100	1	PWK [L=350]	2
LD [9]	517	100	1	SL	5
P1 [10]	517	162	1	ST	3
PC [11]	543	196	1	T	18
PPO [12]	517	382	1	W16	8
PS [13]	509	381	1	W3	10
WD [14]	517	400	1	Z	18



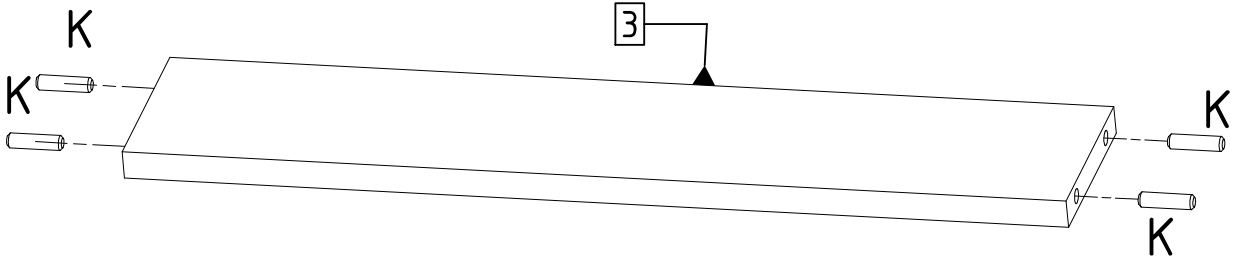
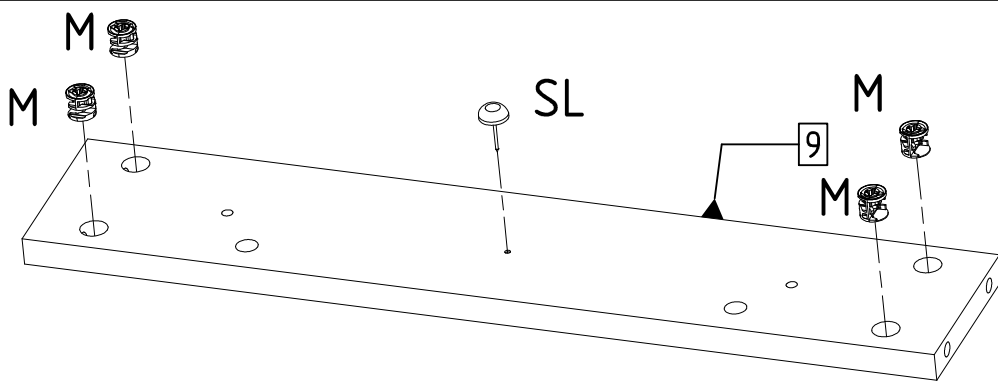
1.



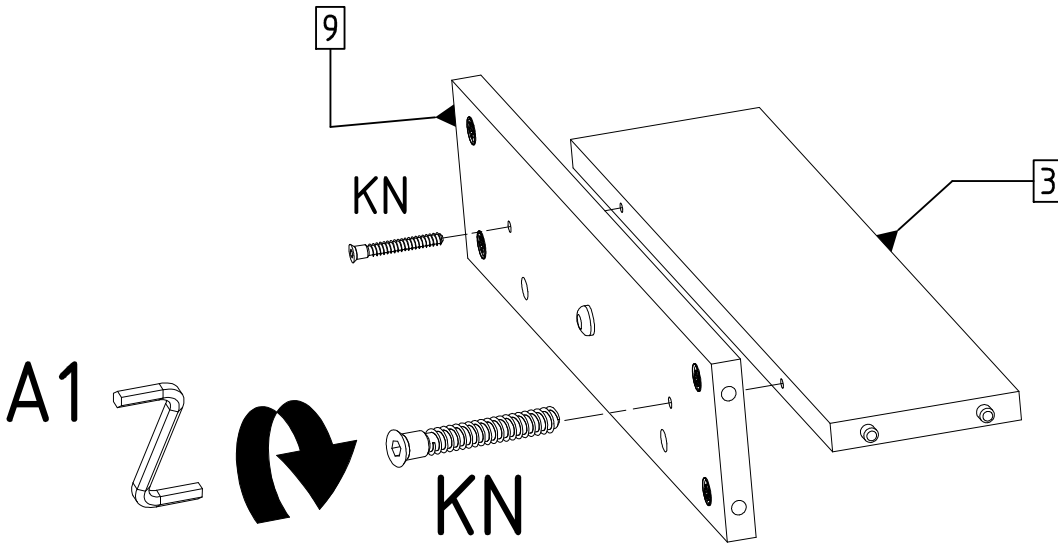
2.



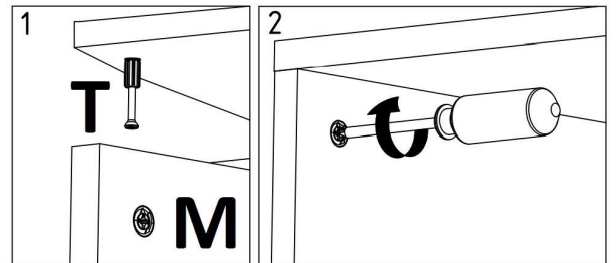
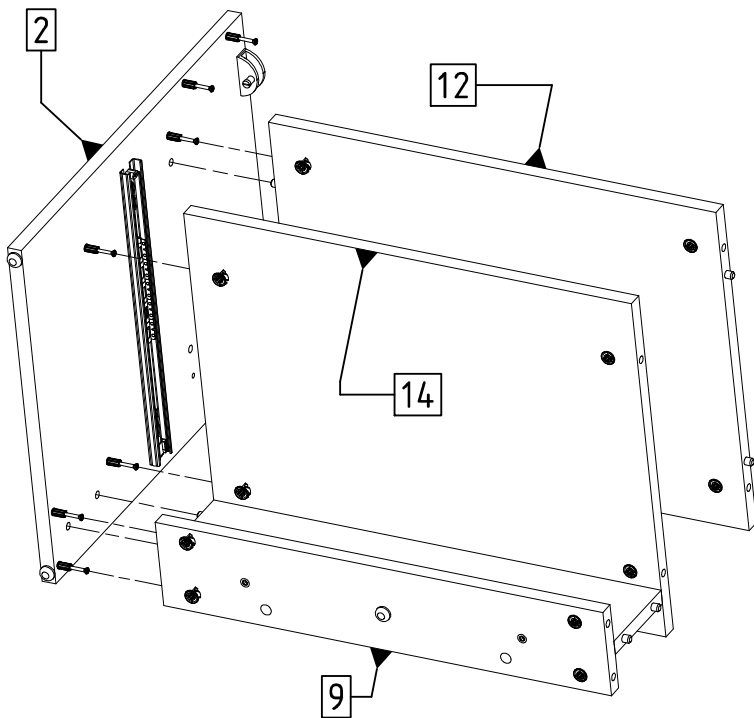
3.



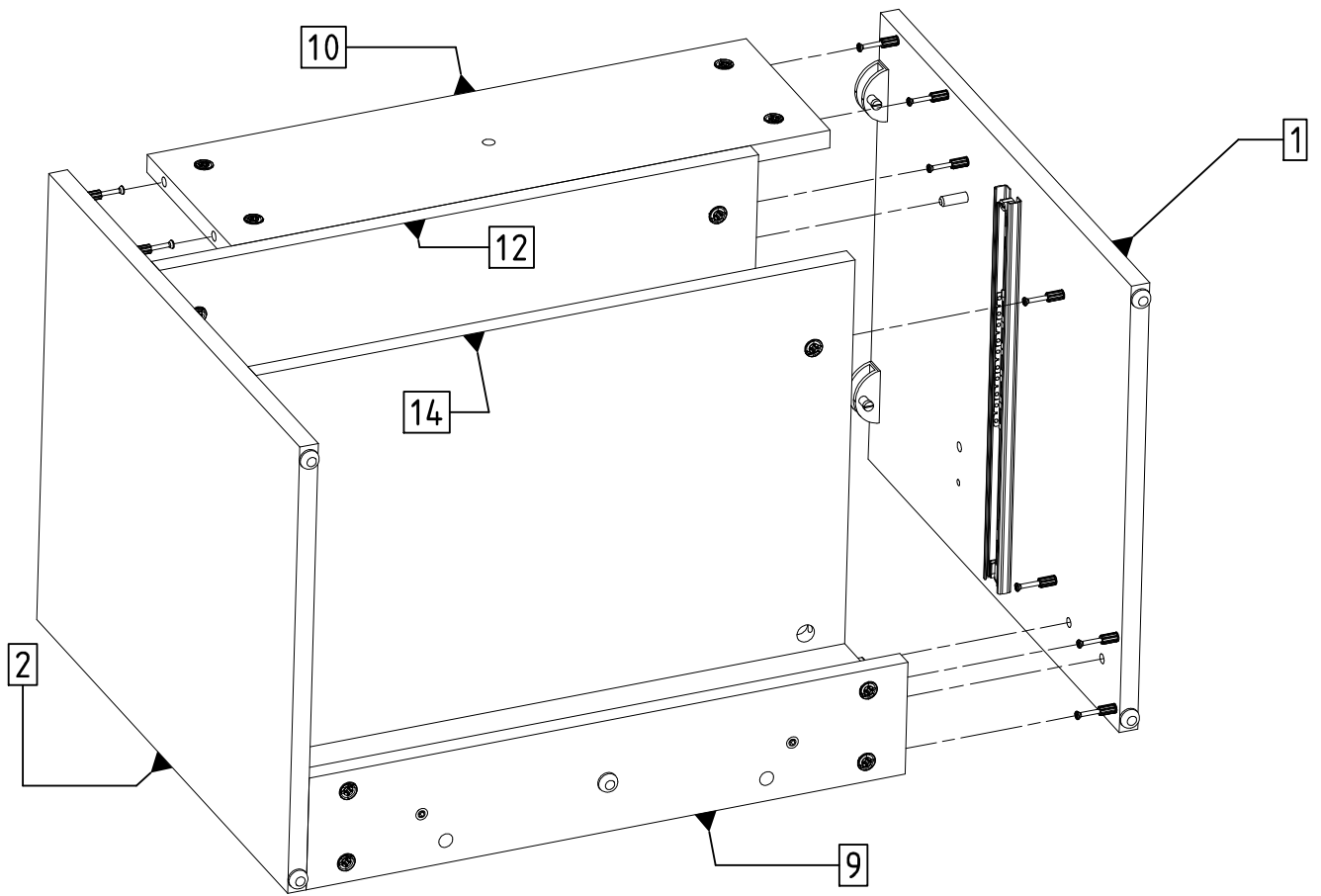
4.



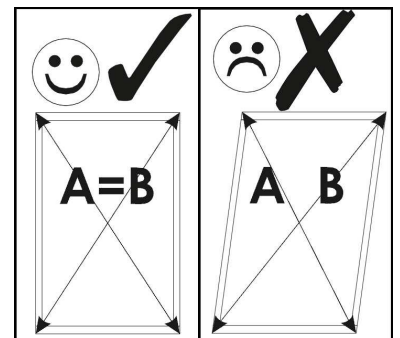
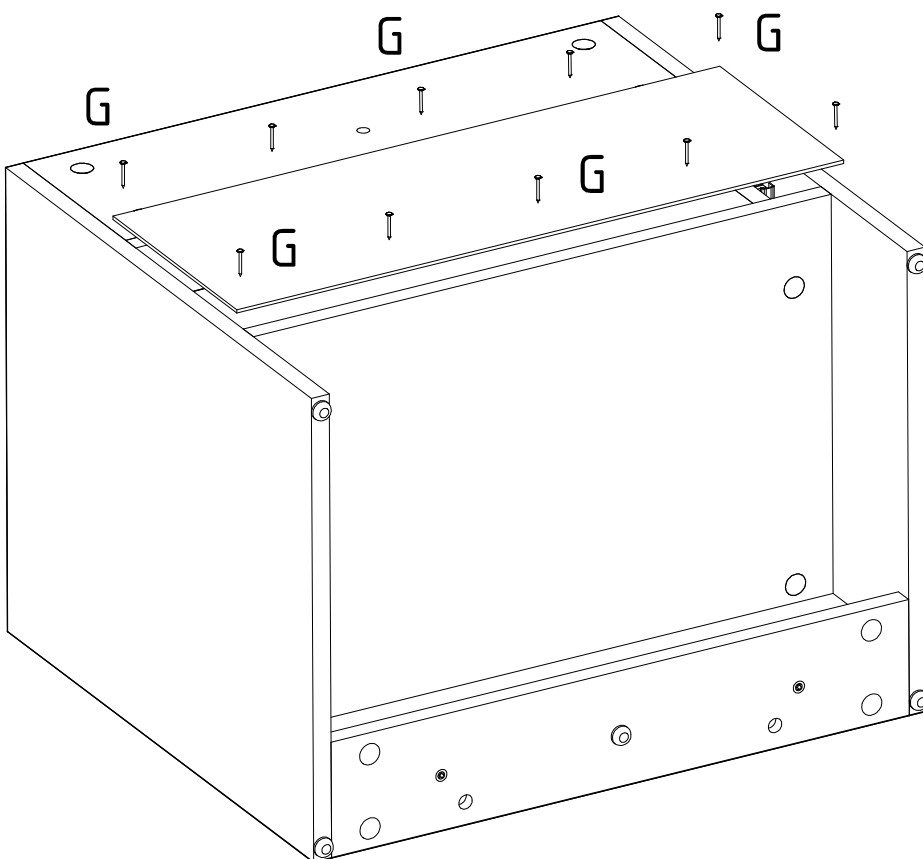
5.



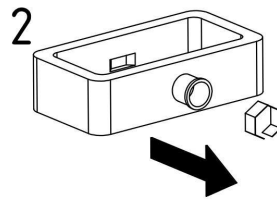
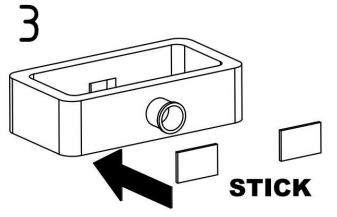
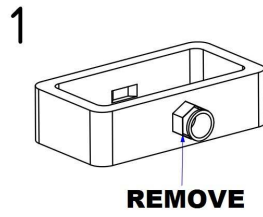
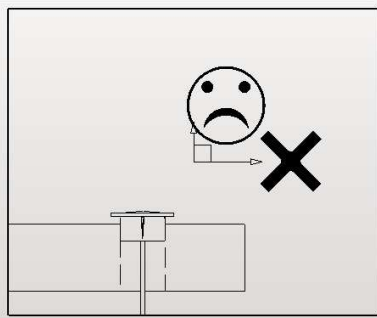
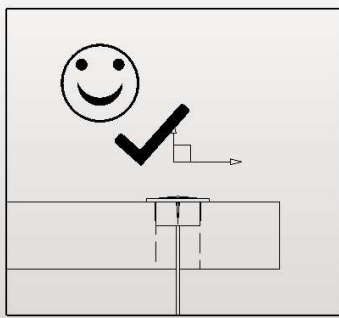
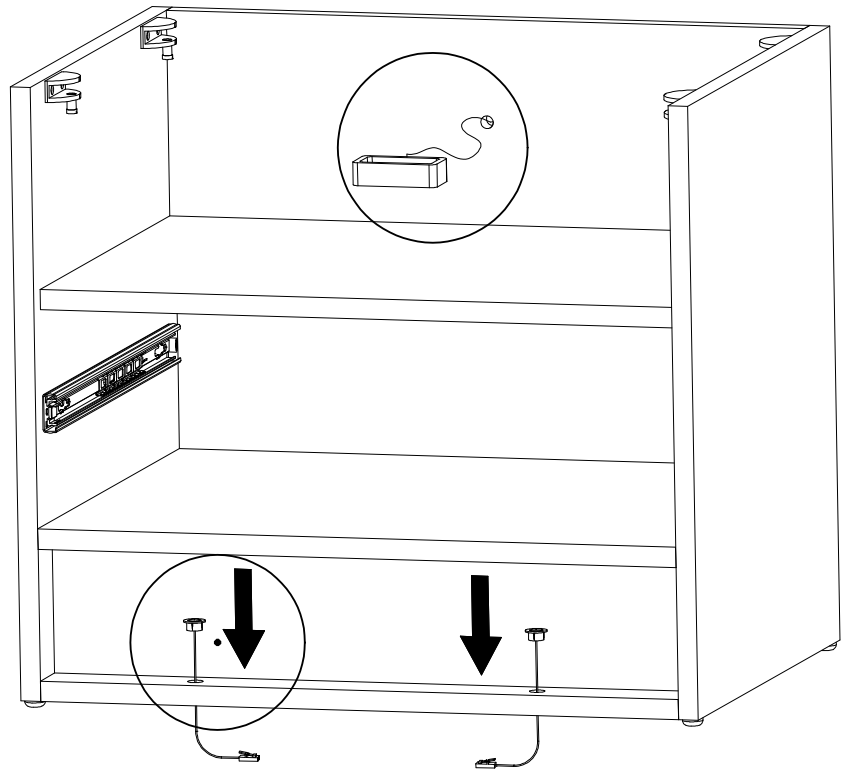
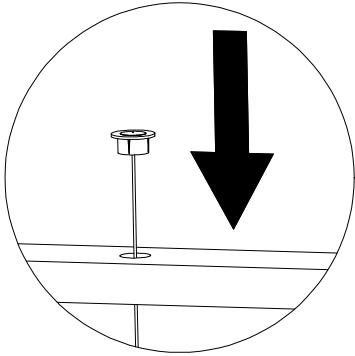
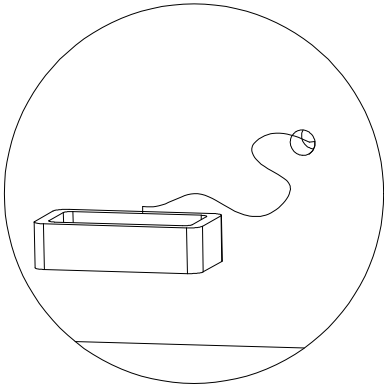
6.



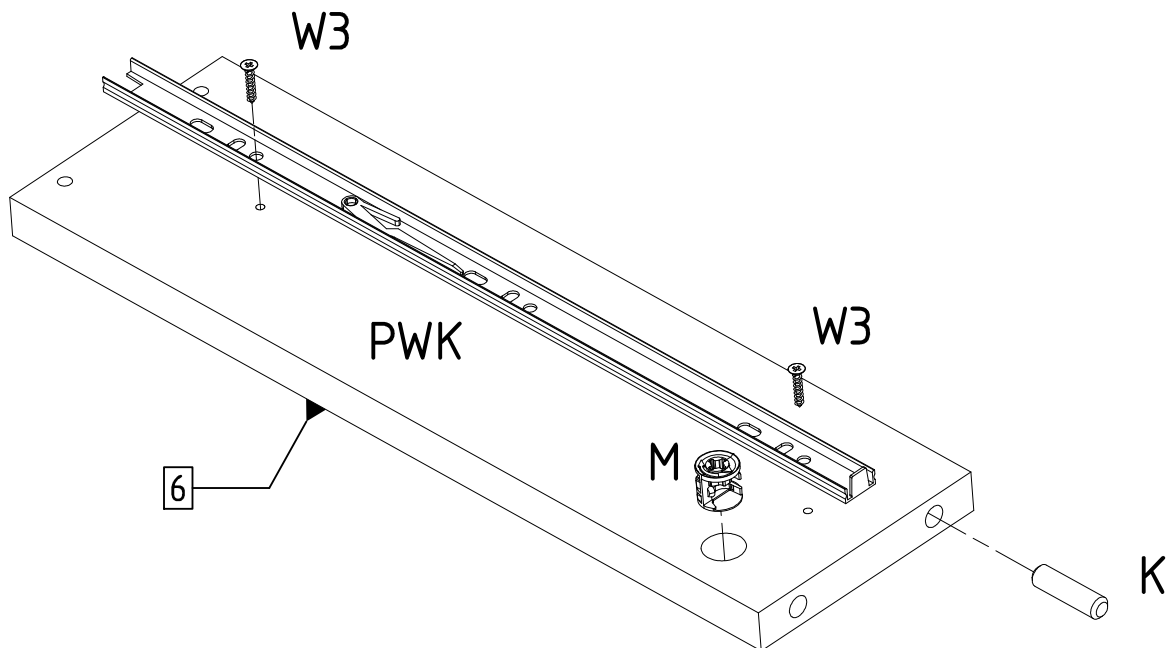
7.

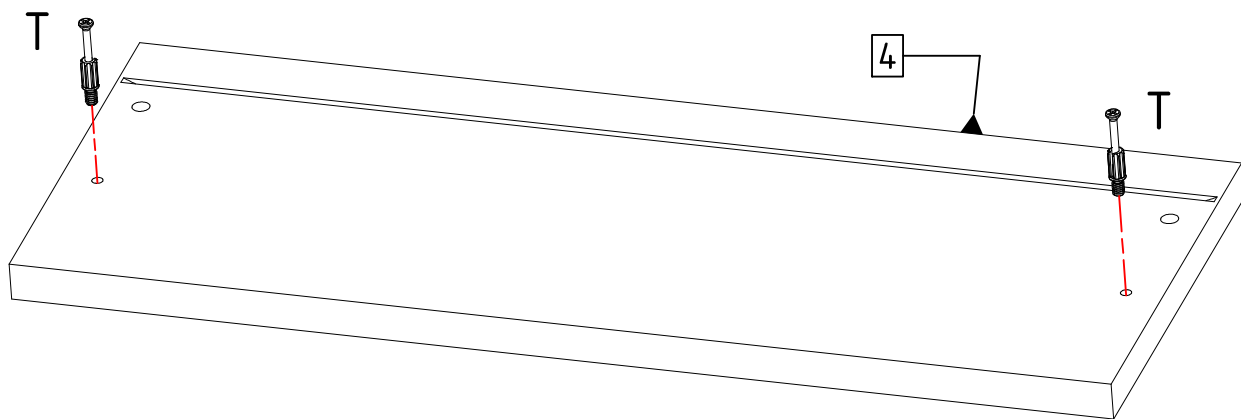
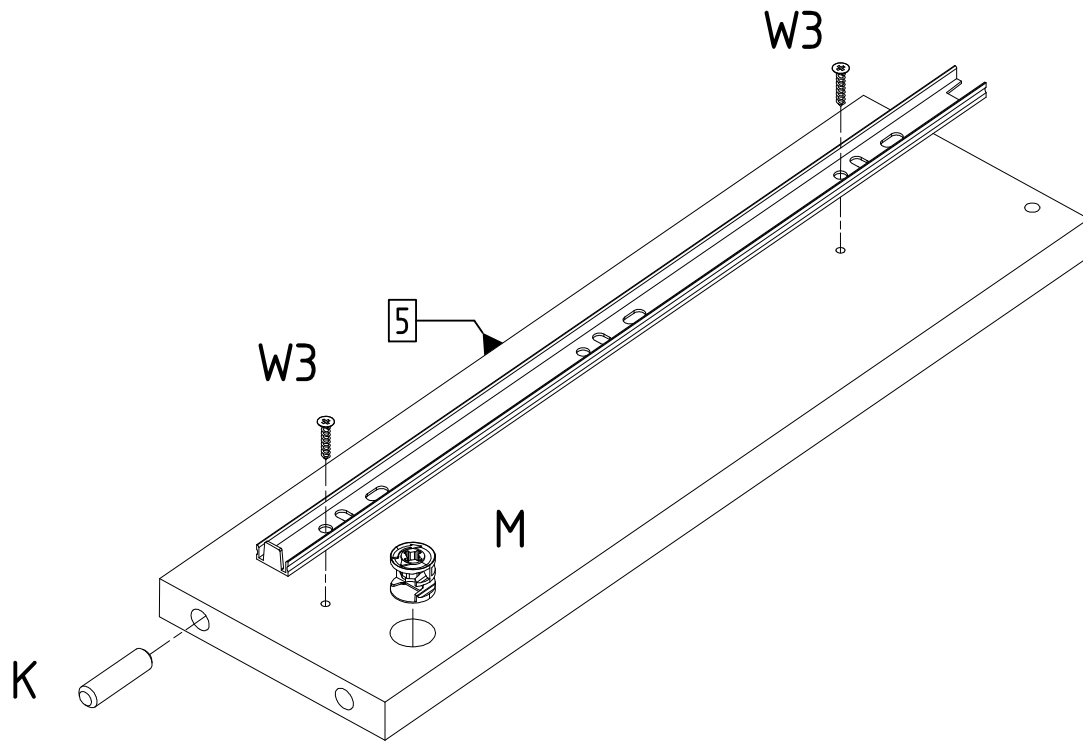


8.

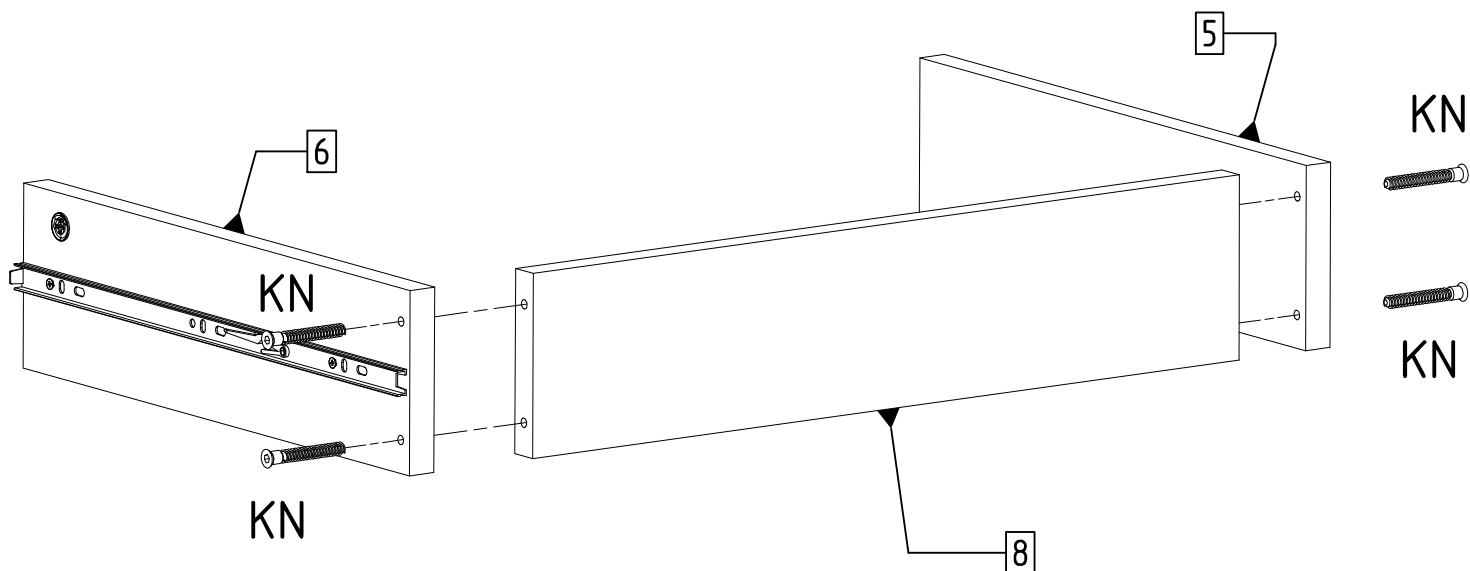


9.



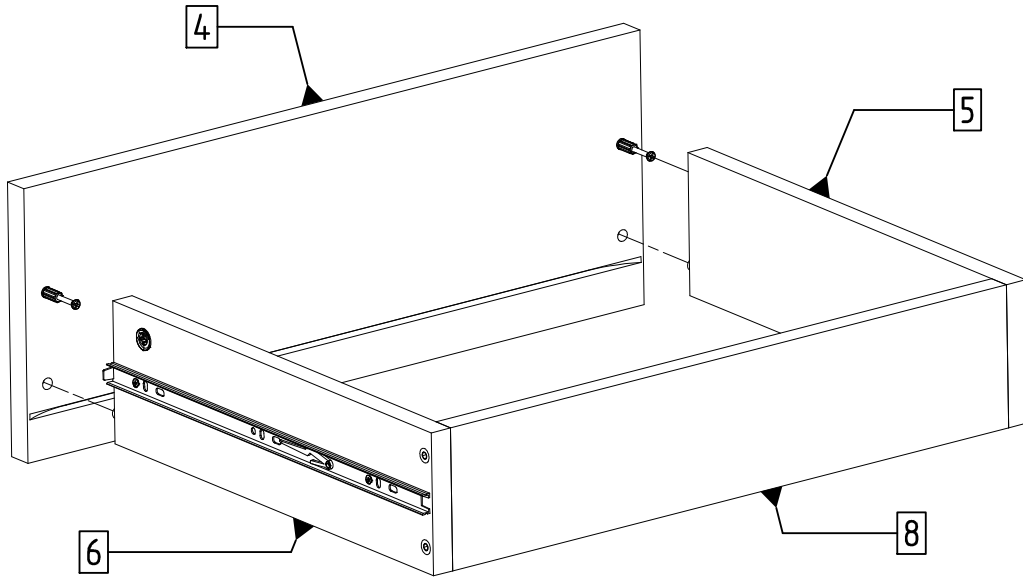


10.

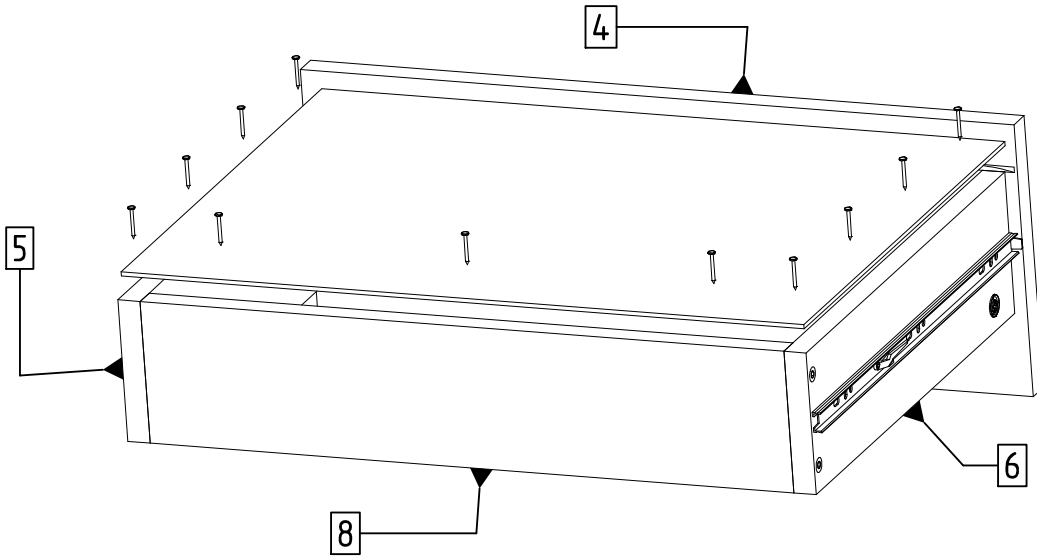




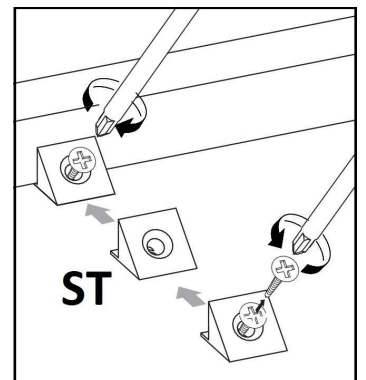
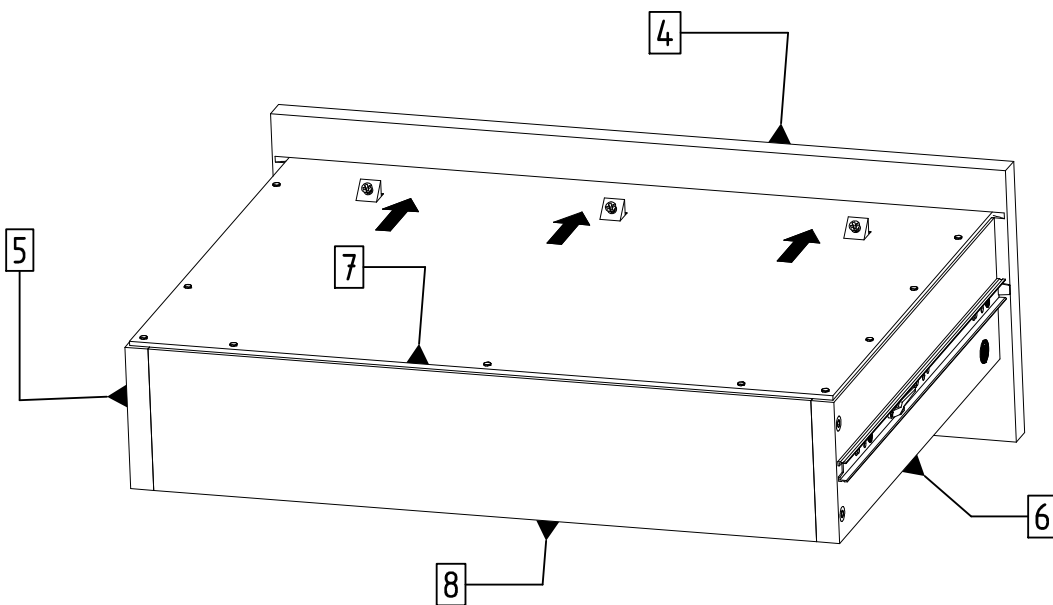
11.



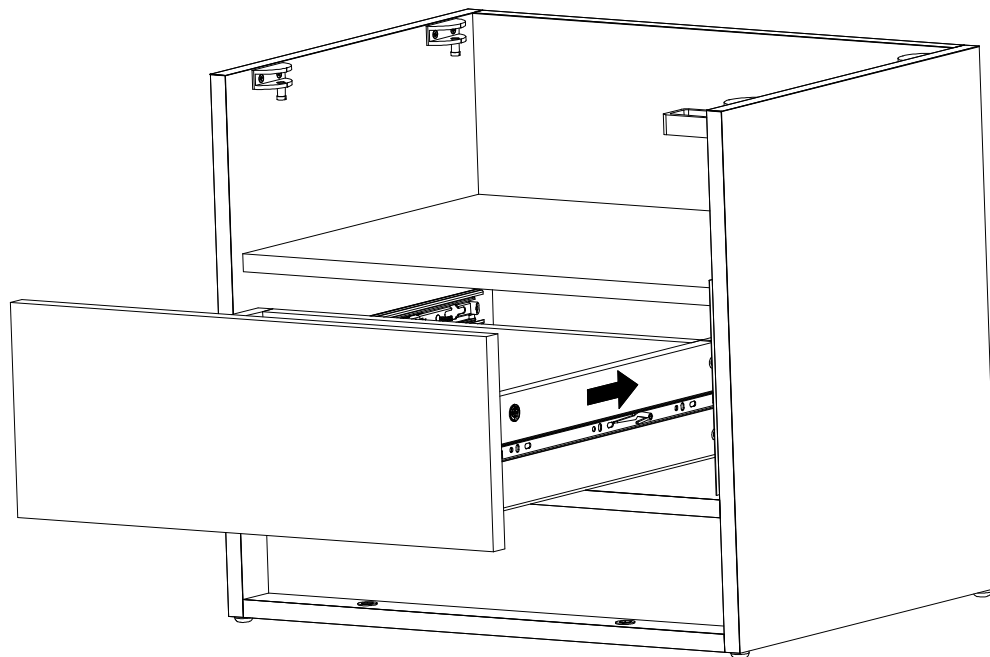
12.



13.



14.



15.

