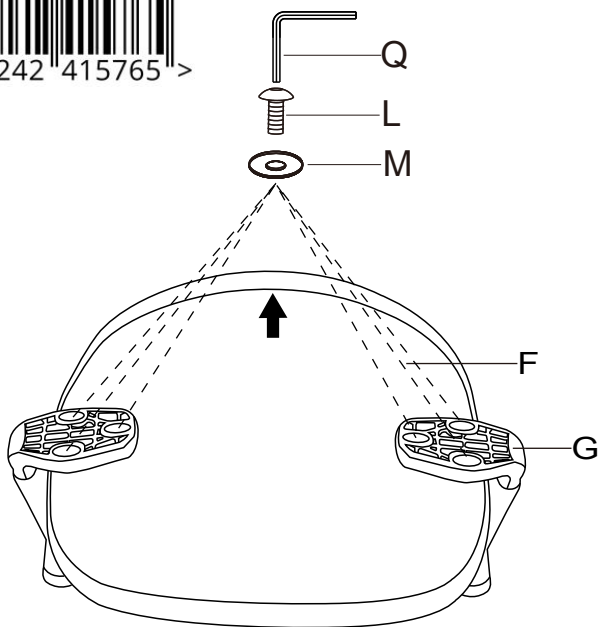
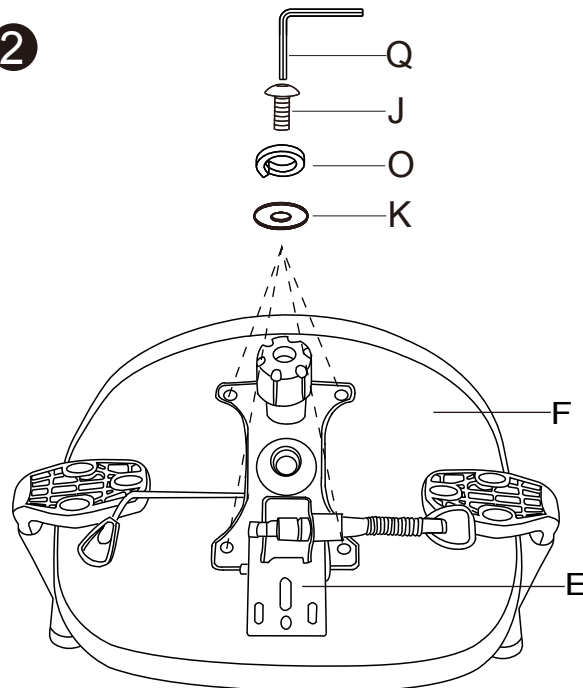


# W-213C CHESTER

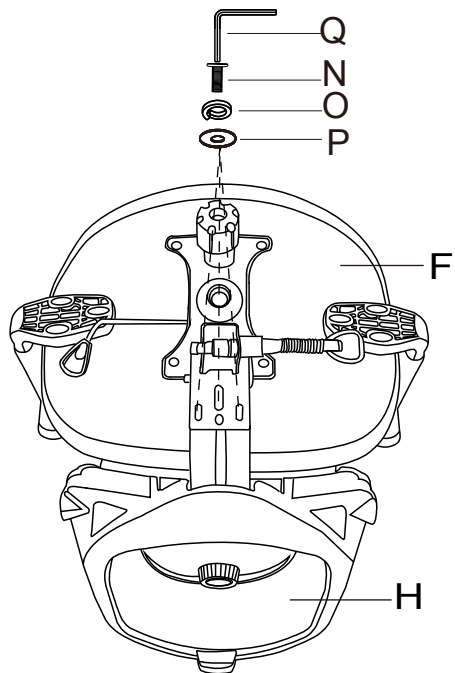
5 908242 415765 >



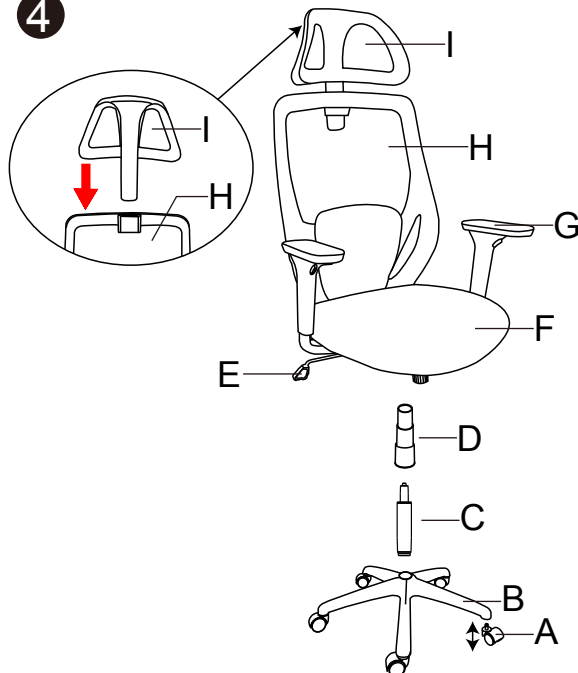
2




3



4



J   
M6\*25MM  
/4PCS

K   
M6\*18\*1MM  
/4PCS

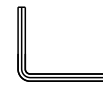
L   
M6\*30MM  
/6PCS

M   
M6\*15\*1MM  
/6PCS

N   
M8\*22MM  
/3PCS

O   
M8/7PCS

P   
M8\*22\*1.5MM  
/3PCS

Q   
M5/1PC

