
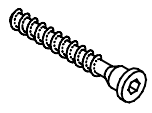



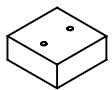


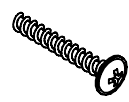
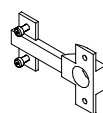
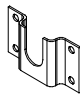

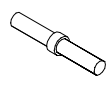
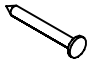
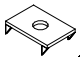
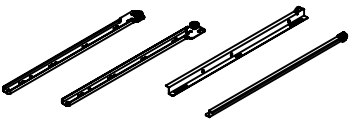


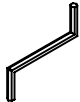
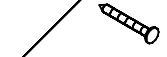
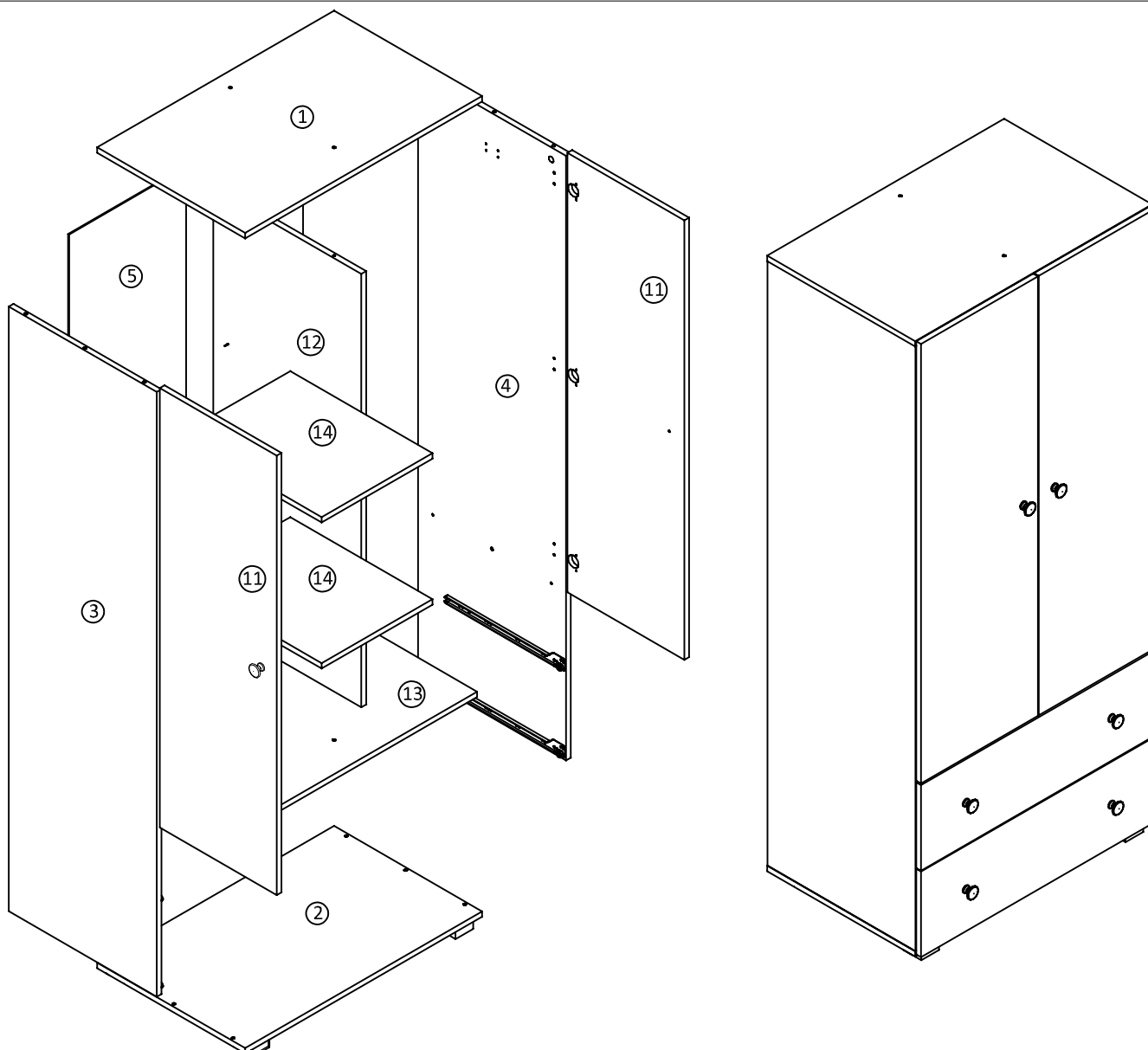
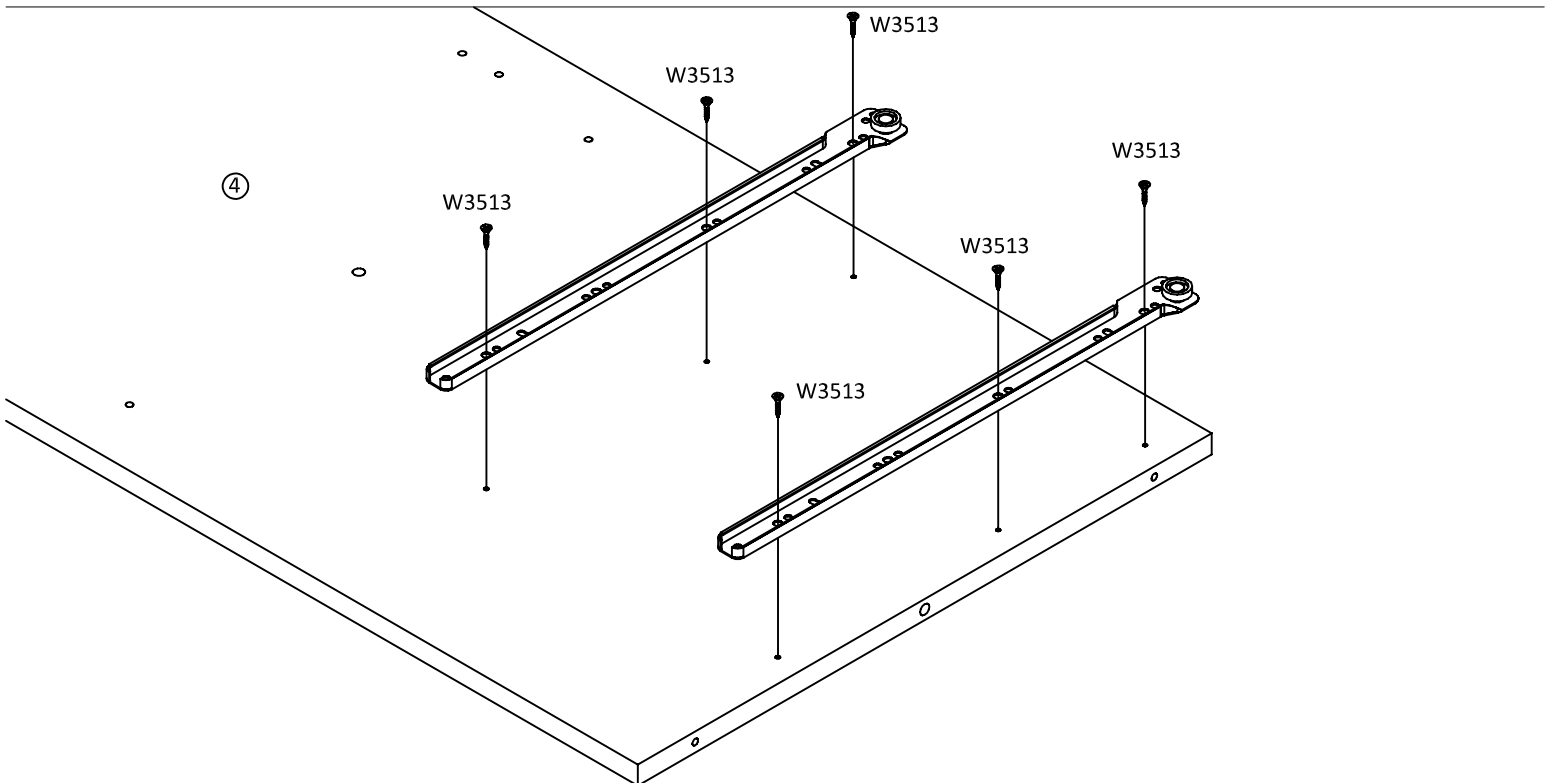
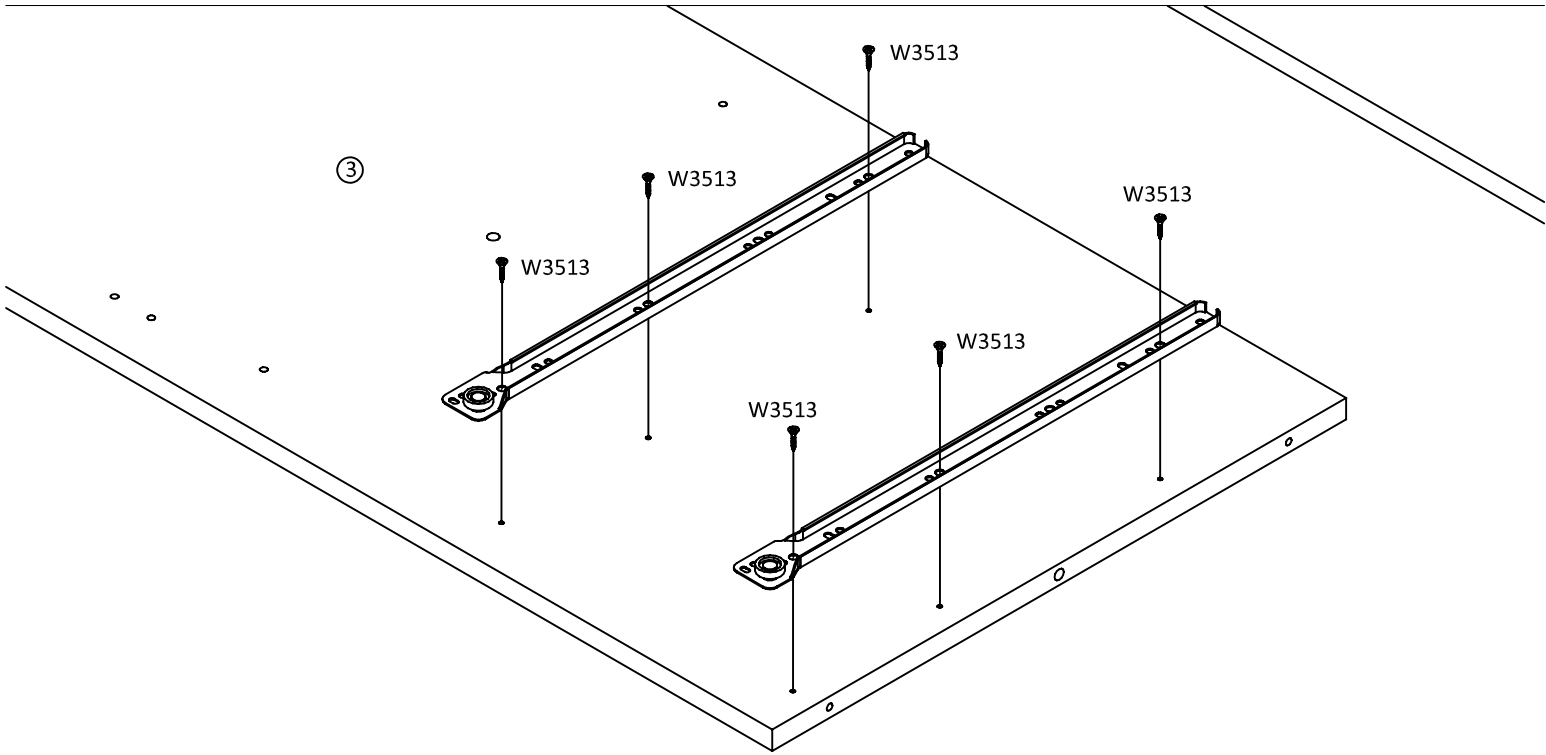
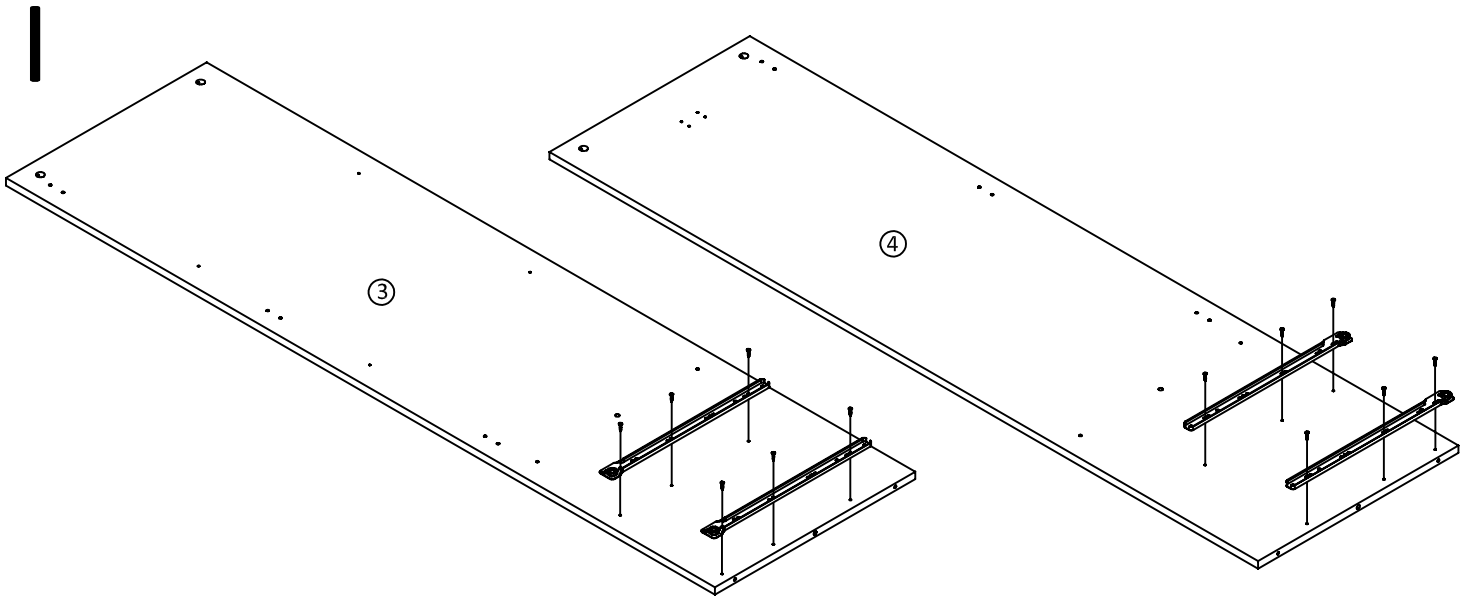
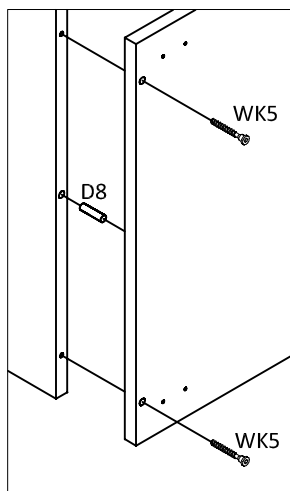
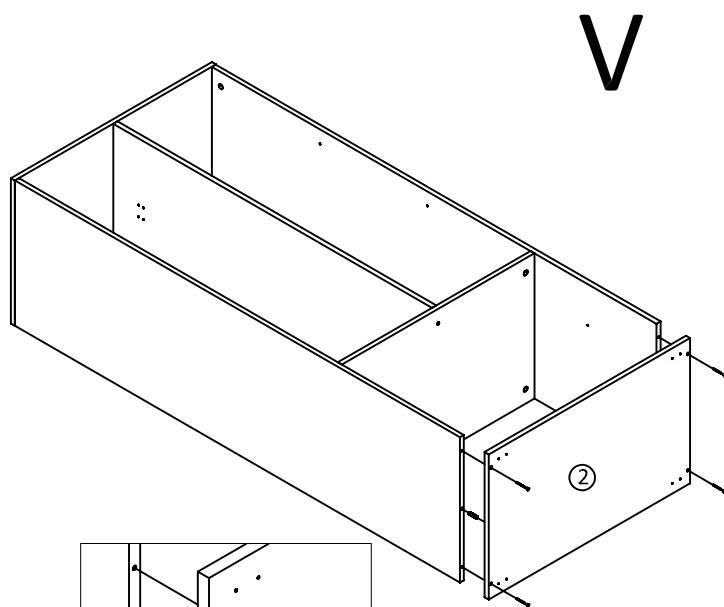
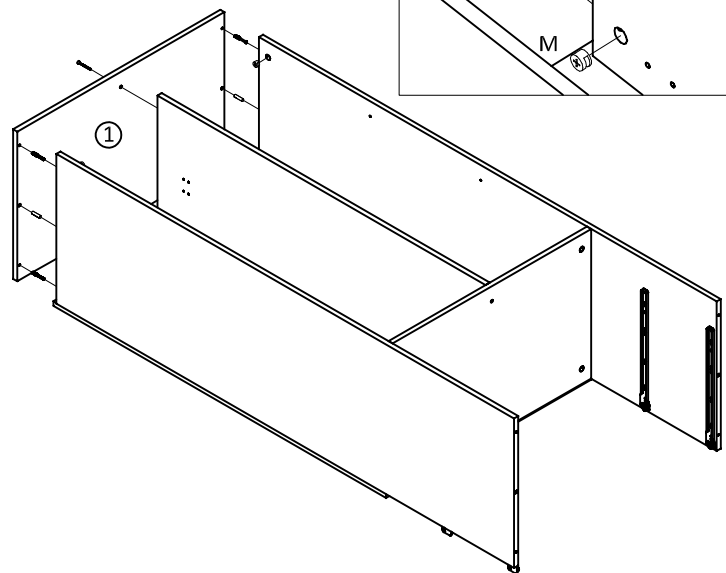
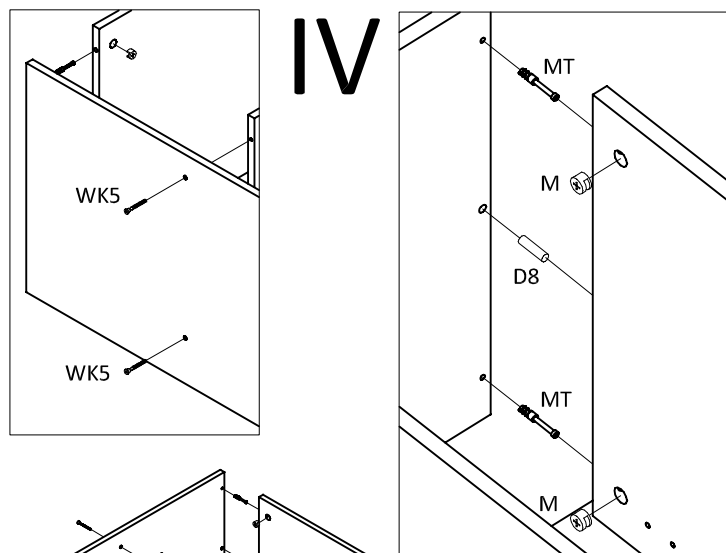
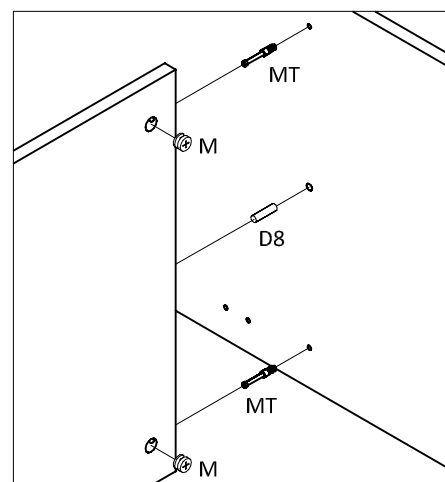
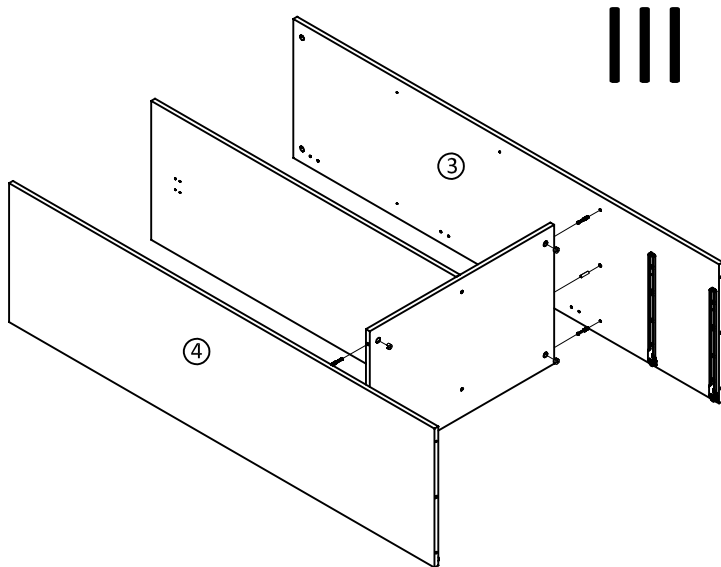
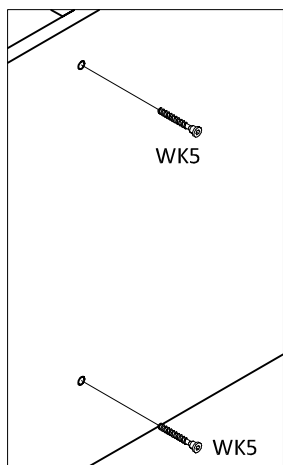
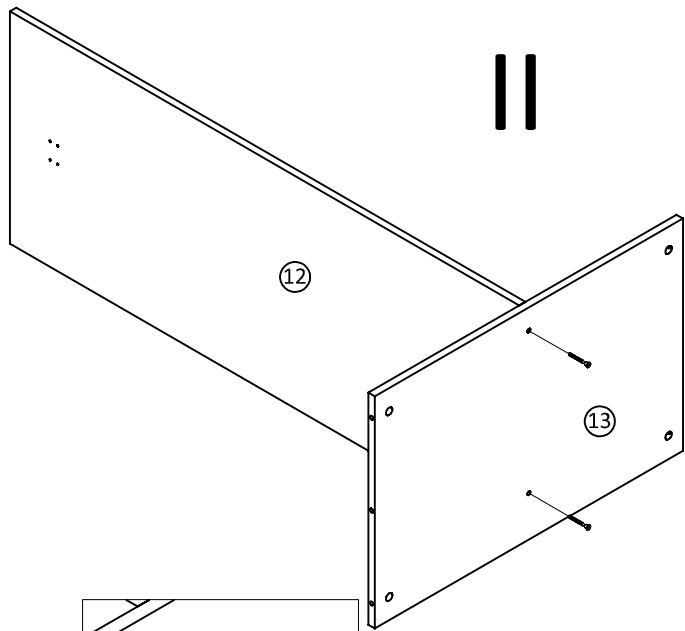
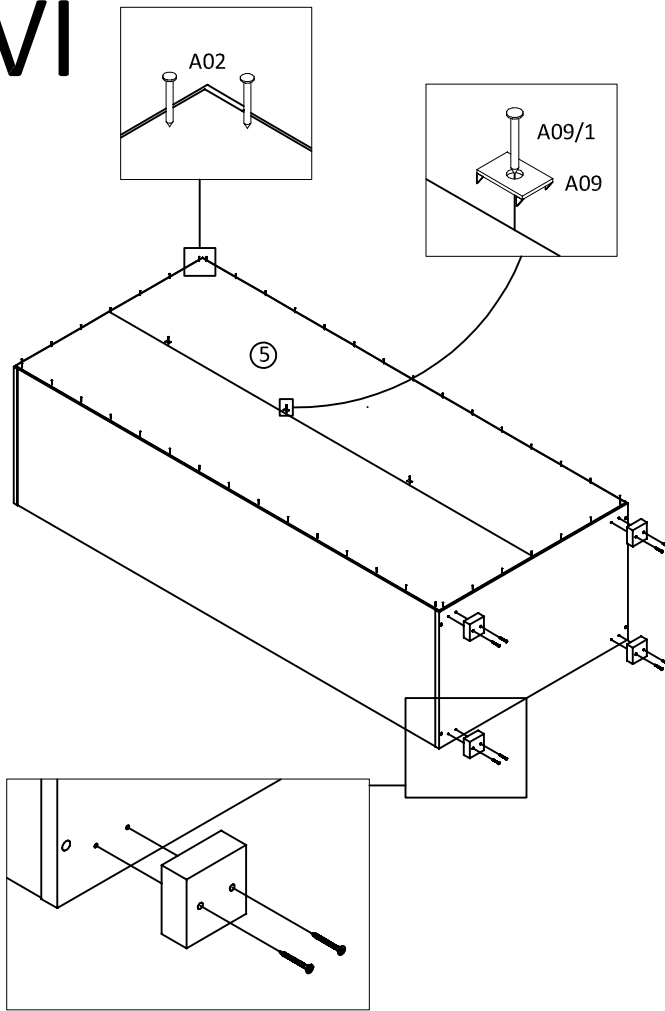
 MT x16	 M x16	 7x50 WK5 x16	 8x30 D8 x6	 3.5x16 W3516 x25	 3.5x13 W3513 x20	 S2 x4
 35x30 W3530 x8	 U1 x6	 4.1x28 W4128 x6	 ZP x6	 D0 x2	 D1 x1	 A04 x8
 A02 x40	 A09 x3	 PR x3		 A06 x1	 A05 x1	 A01 x1
 A09/1 x3						



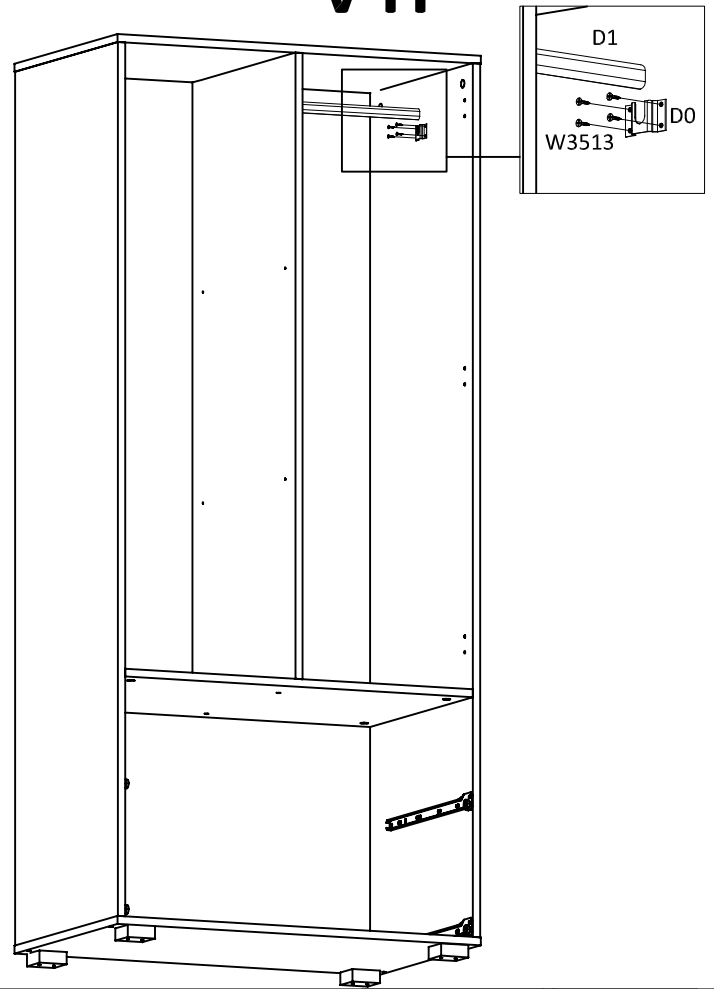




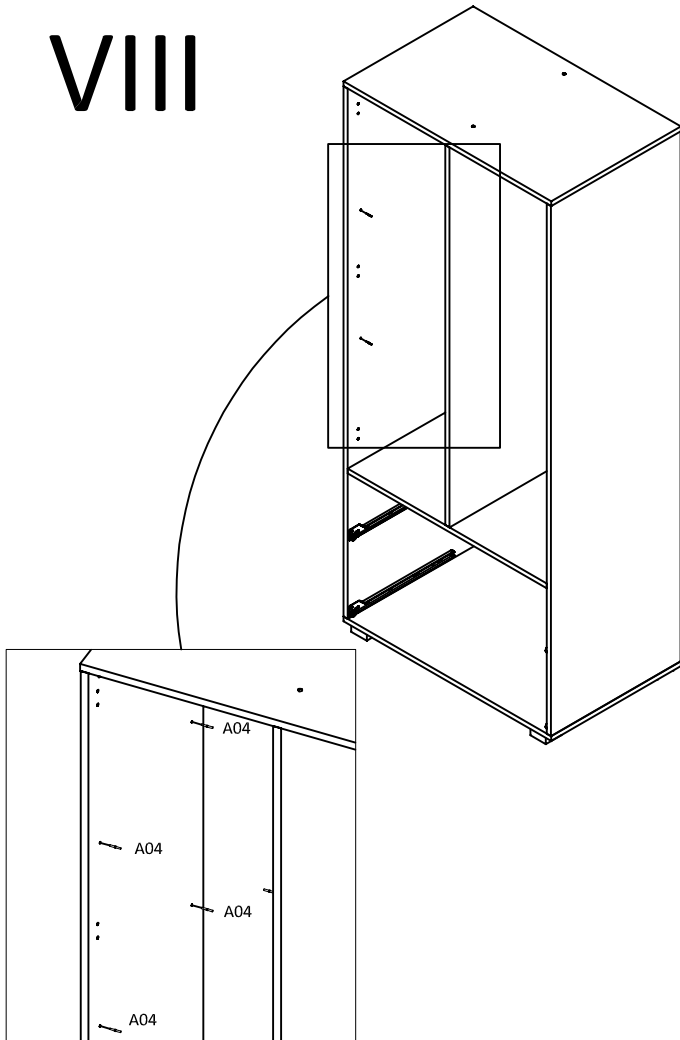
VI



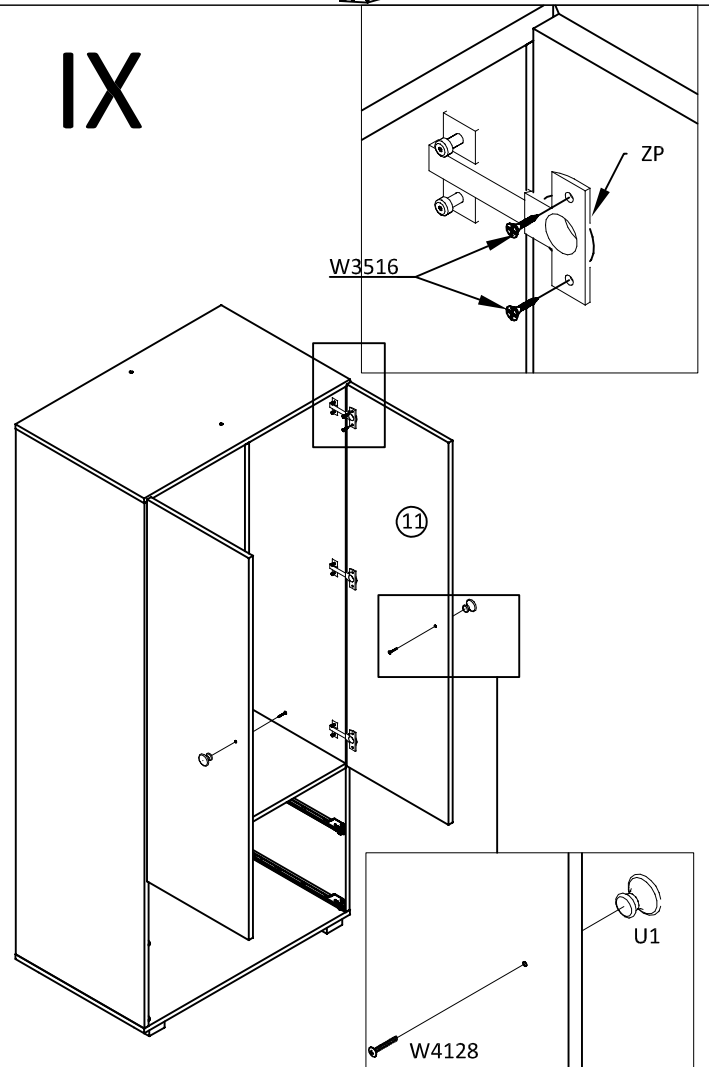
VII



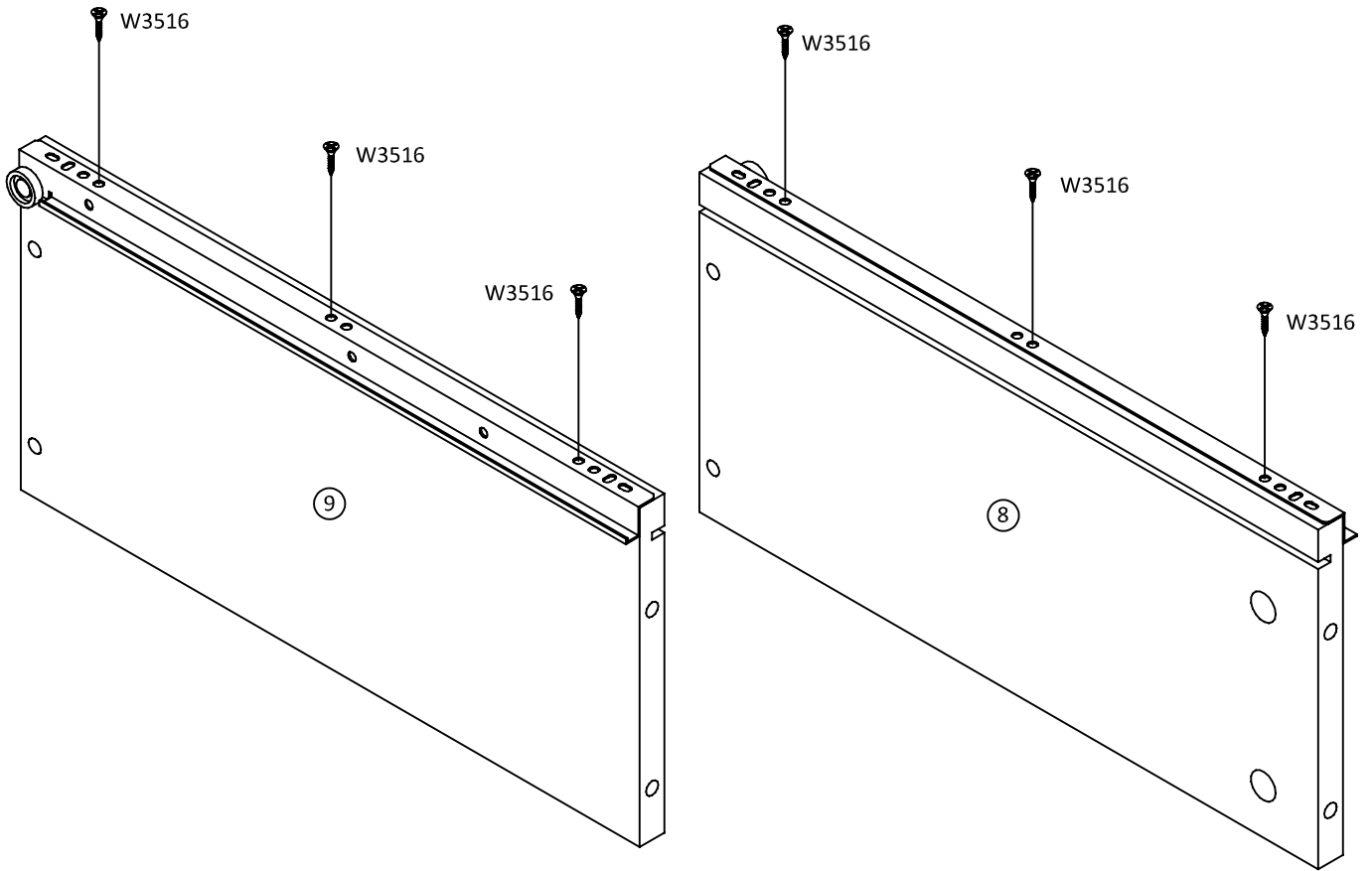
VIII



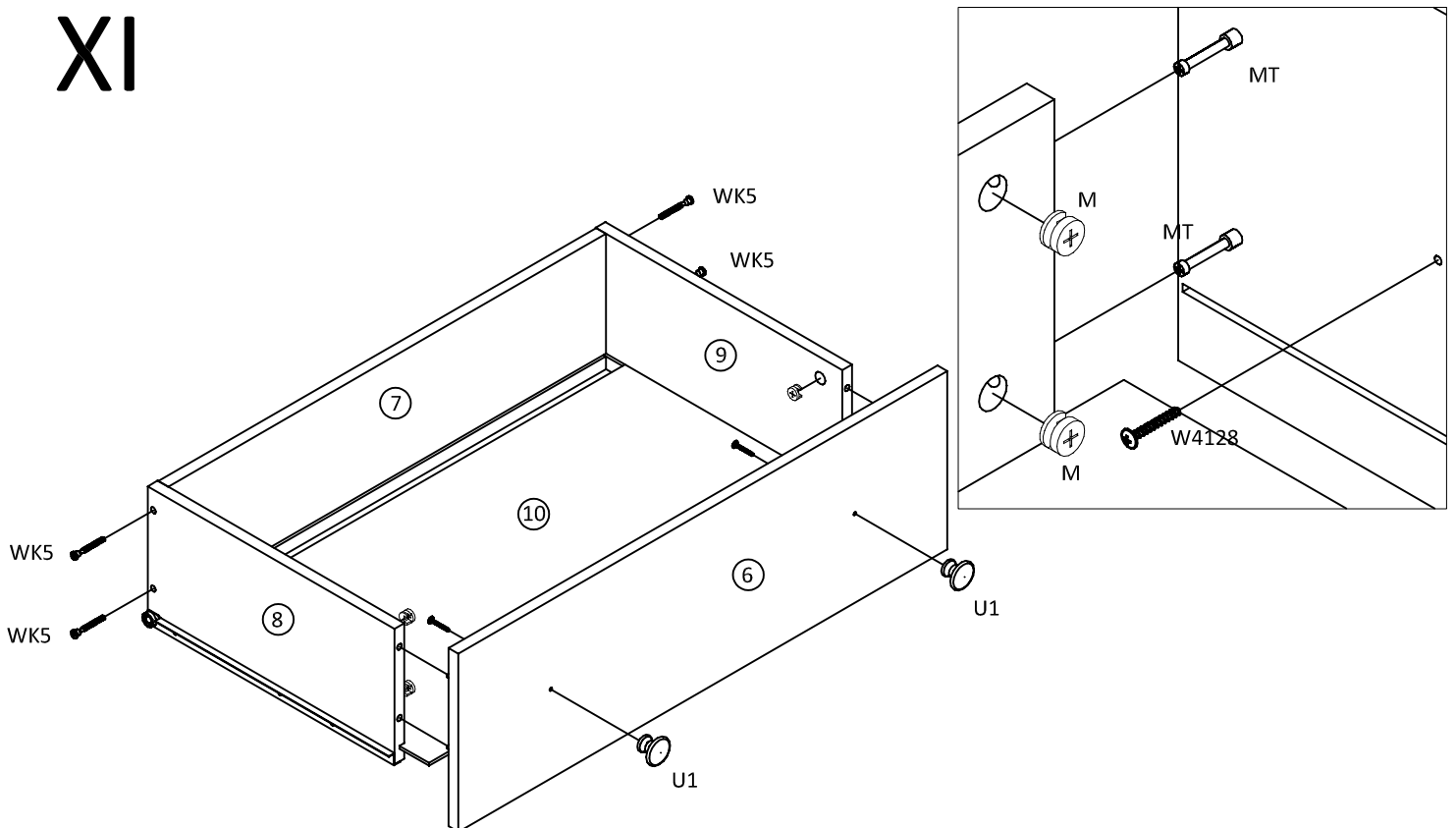
IX



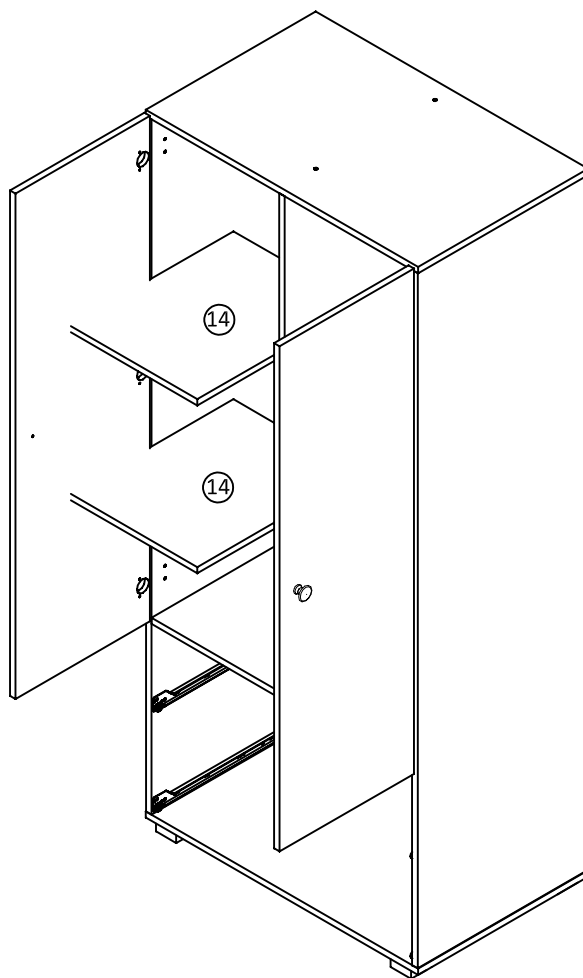
X



XI



XII



XIII

