
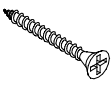


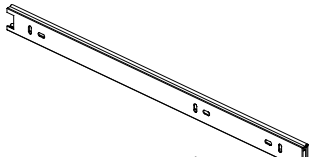

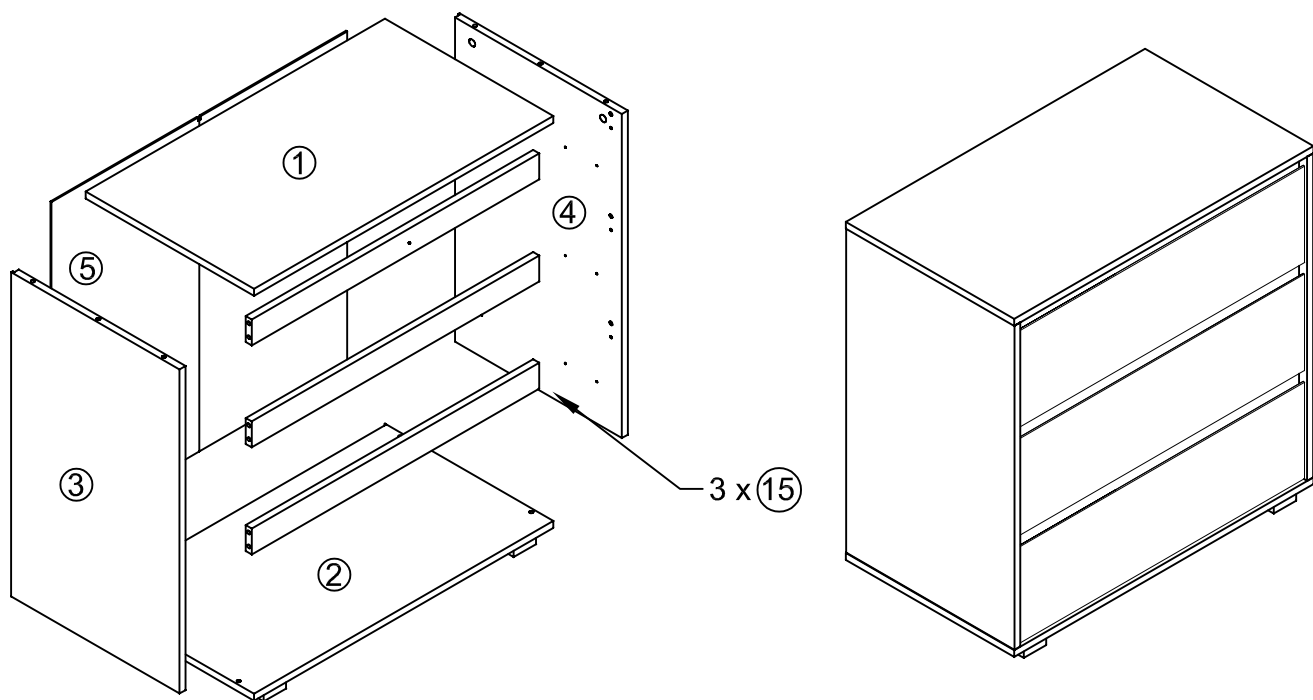
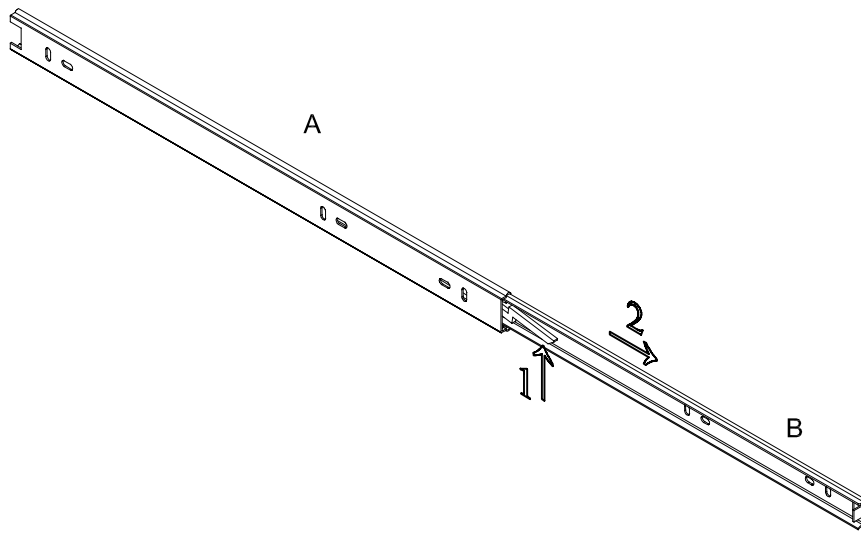
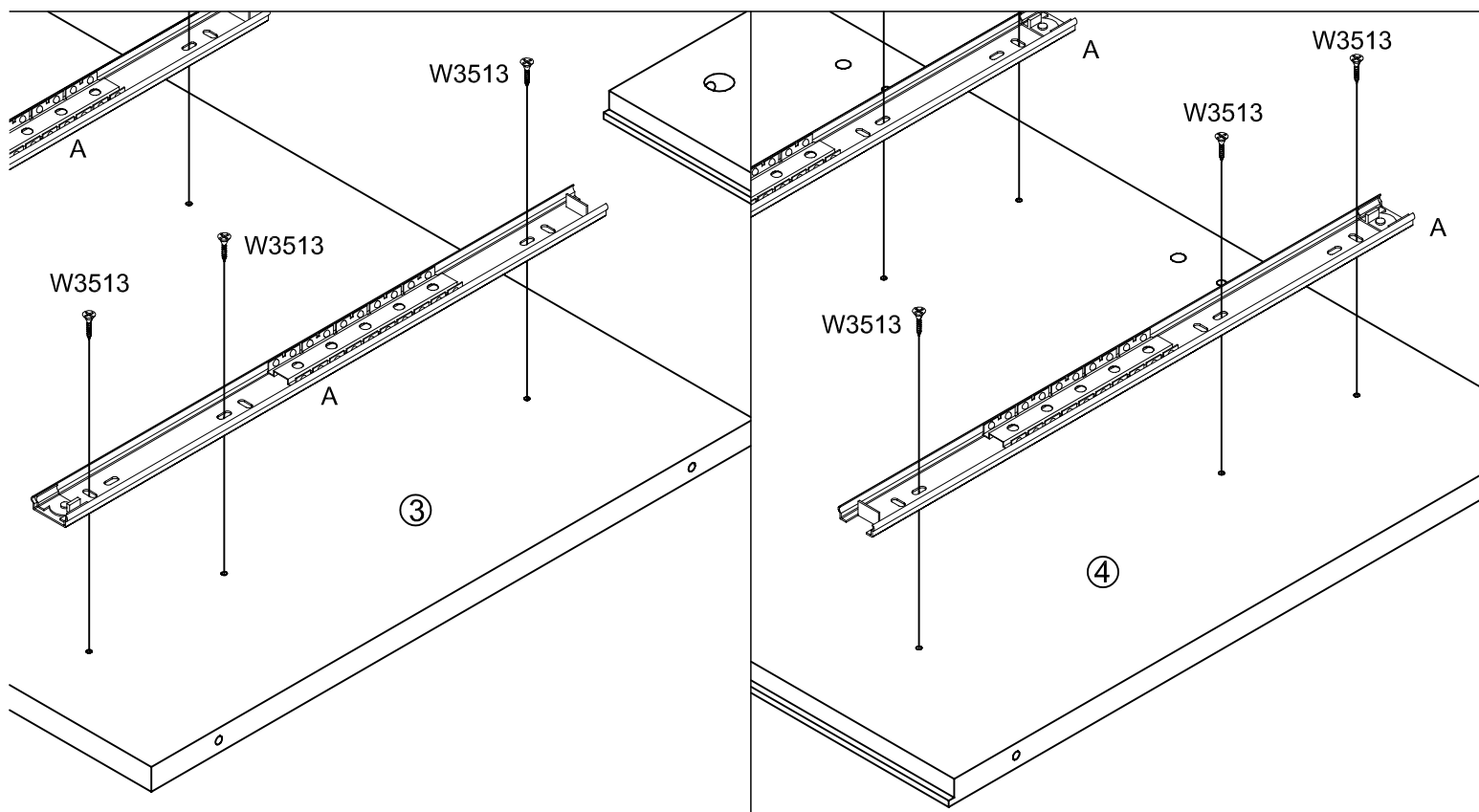
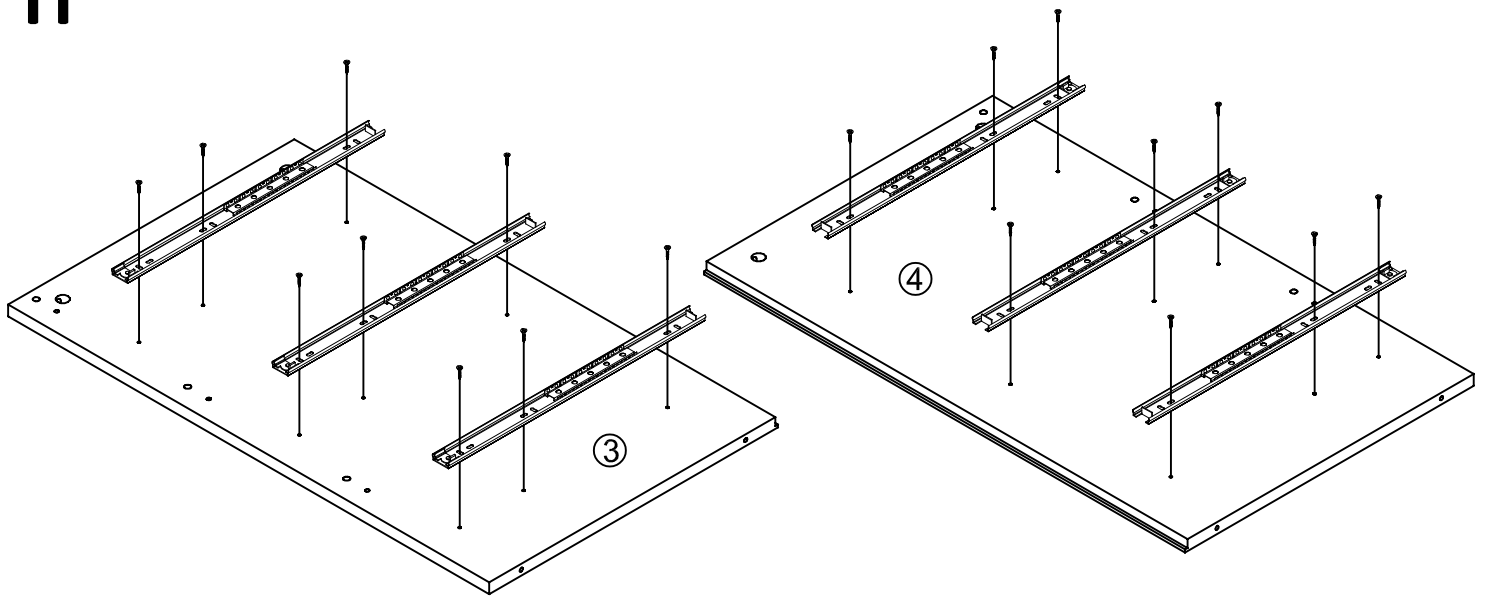

MT x22	M x22	7x50 WK5 x16	8x30 D8 x8	3.5x16 W3516 x1	3.5x13 W3513 x36	A02 x30
						
S2 x4	3.5x30 WS x8	A06 x1	A05 x1	PK x6	A01 x1	



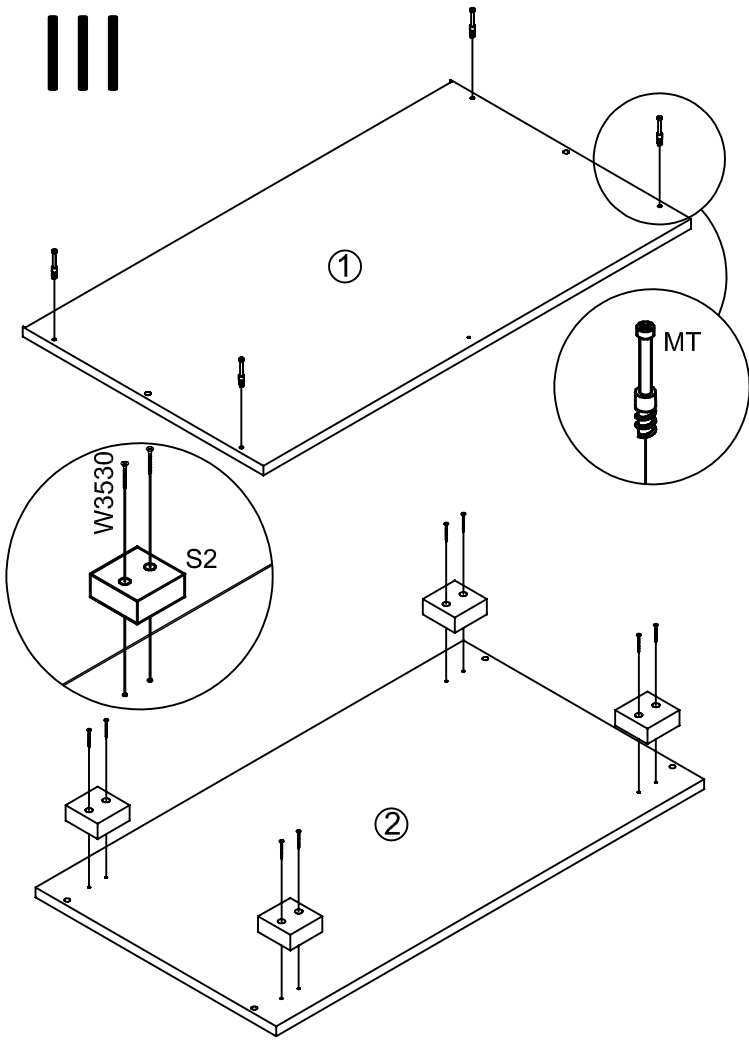
I



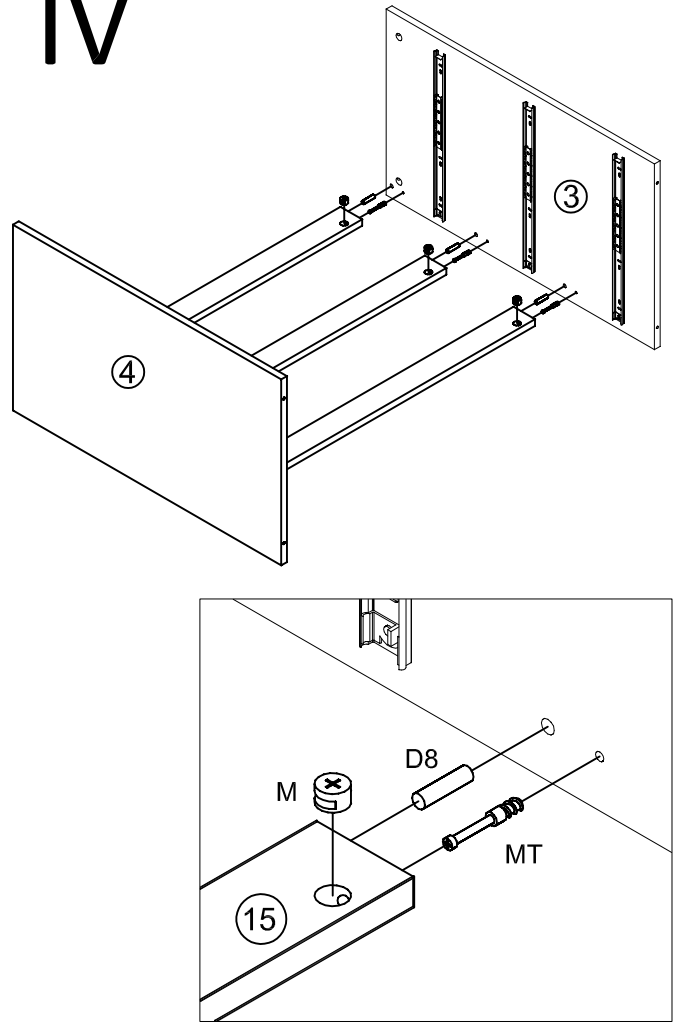
II



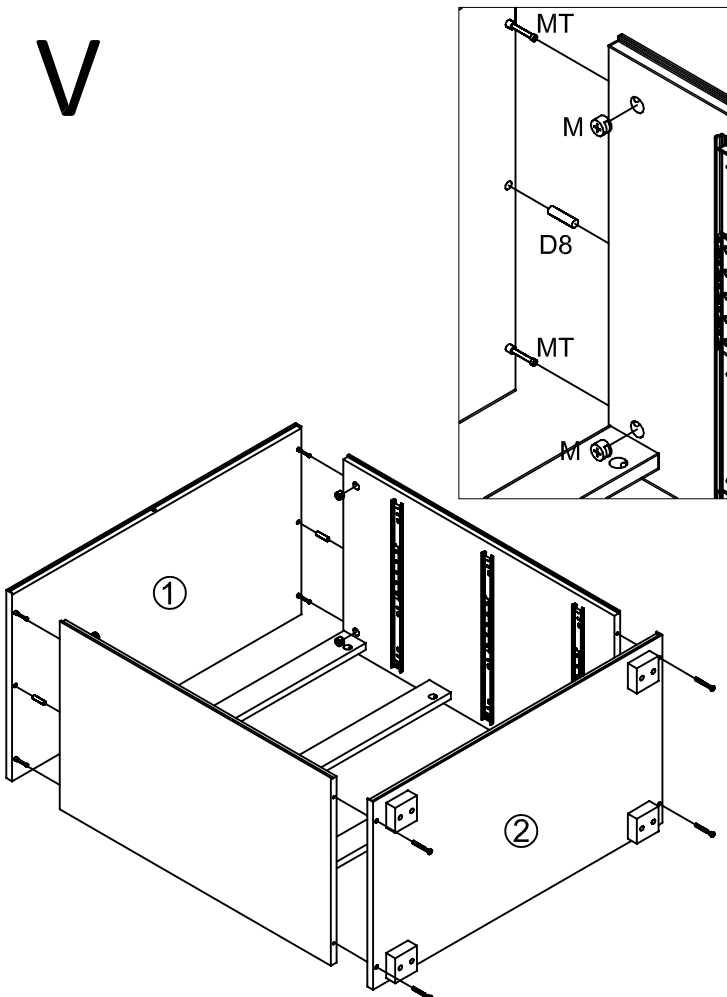
III



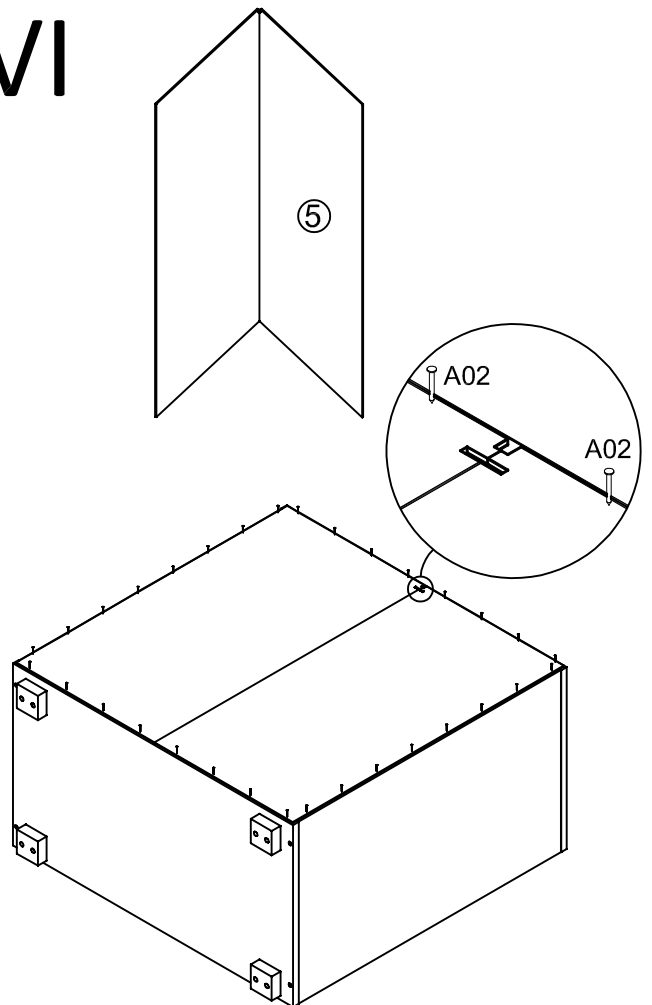
IV



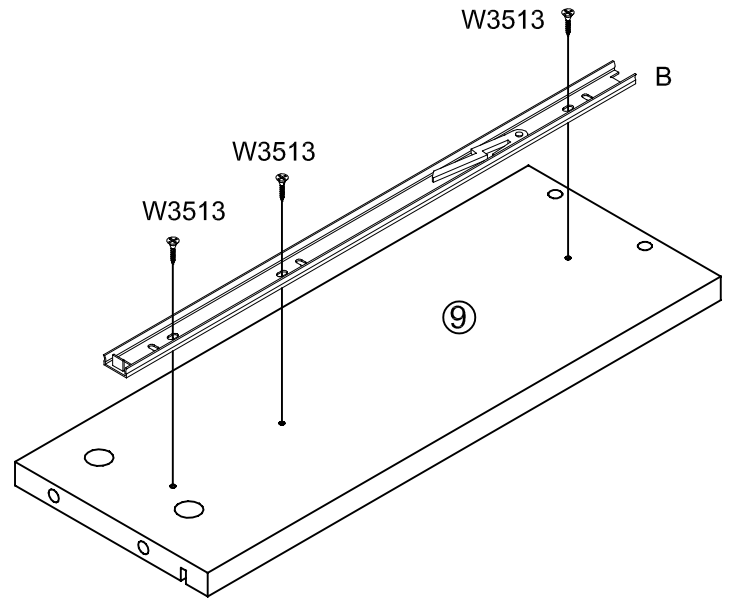
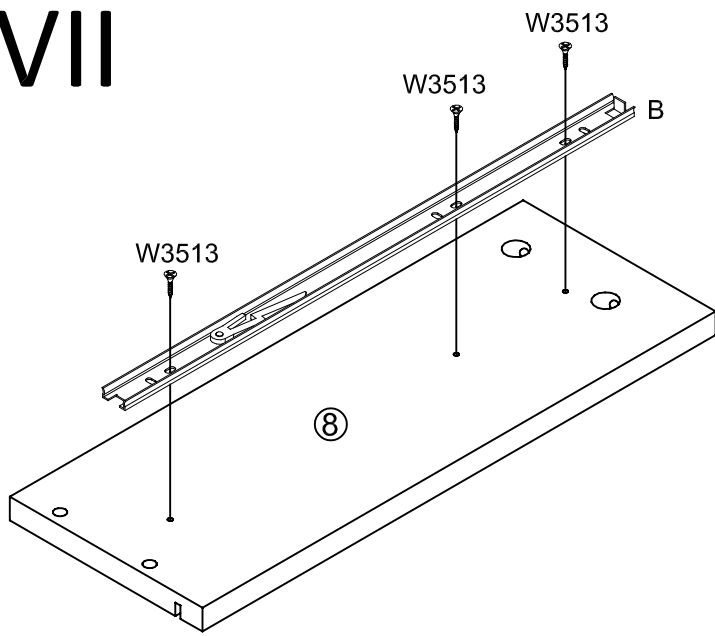
V



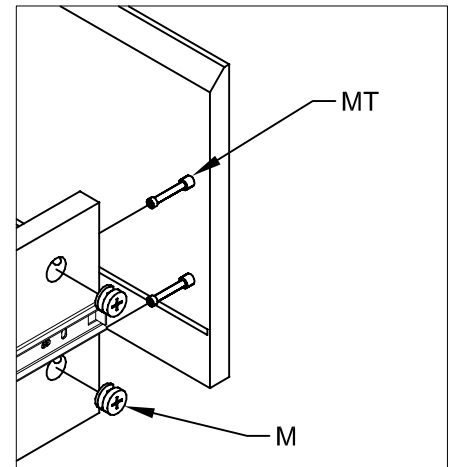
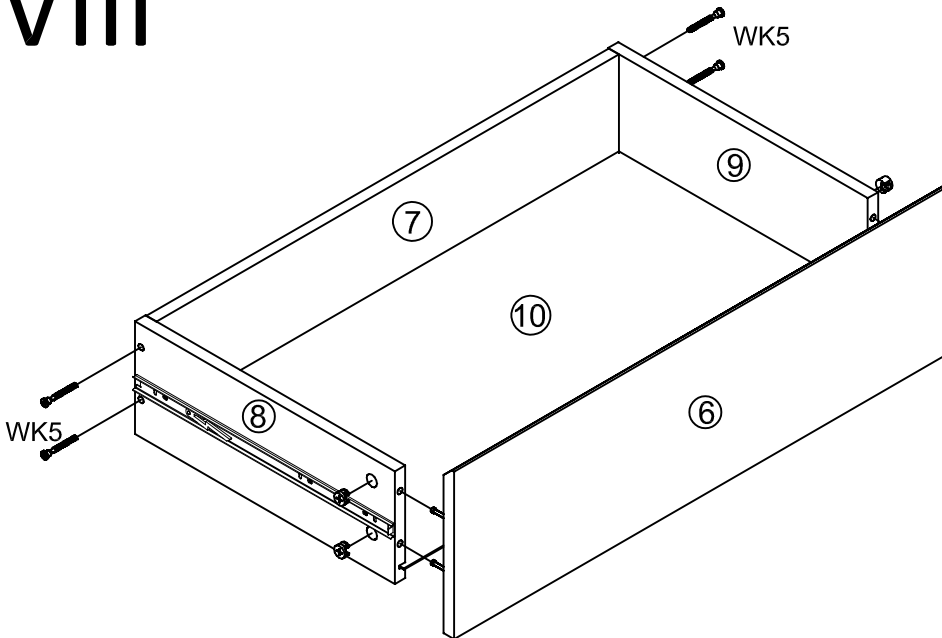
VI



VII



VIII



IX

