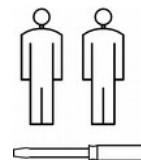
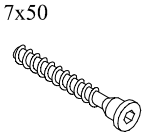
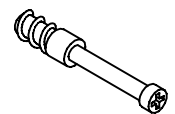
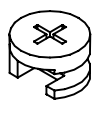
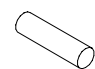
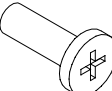
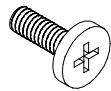

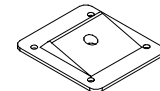
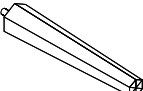
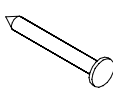
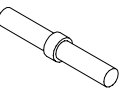
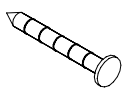
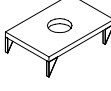
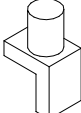
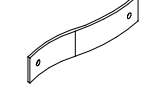

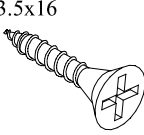
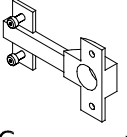
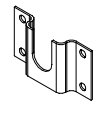
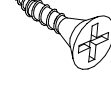

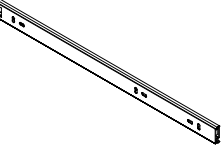
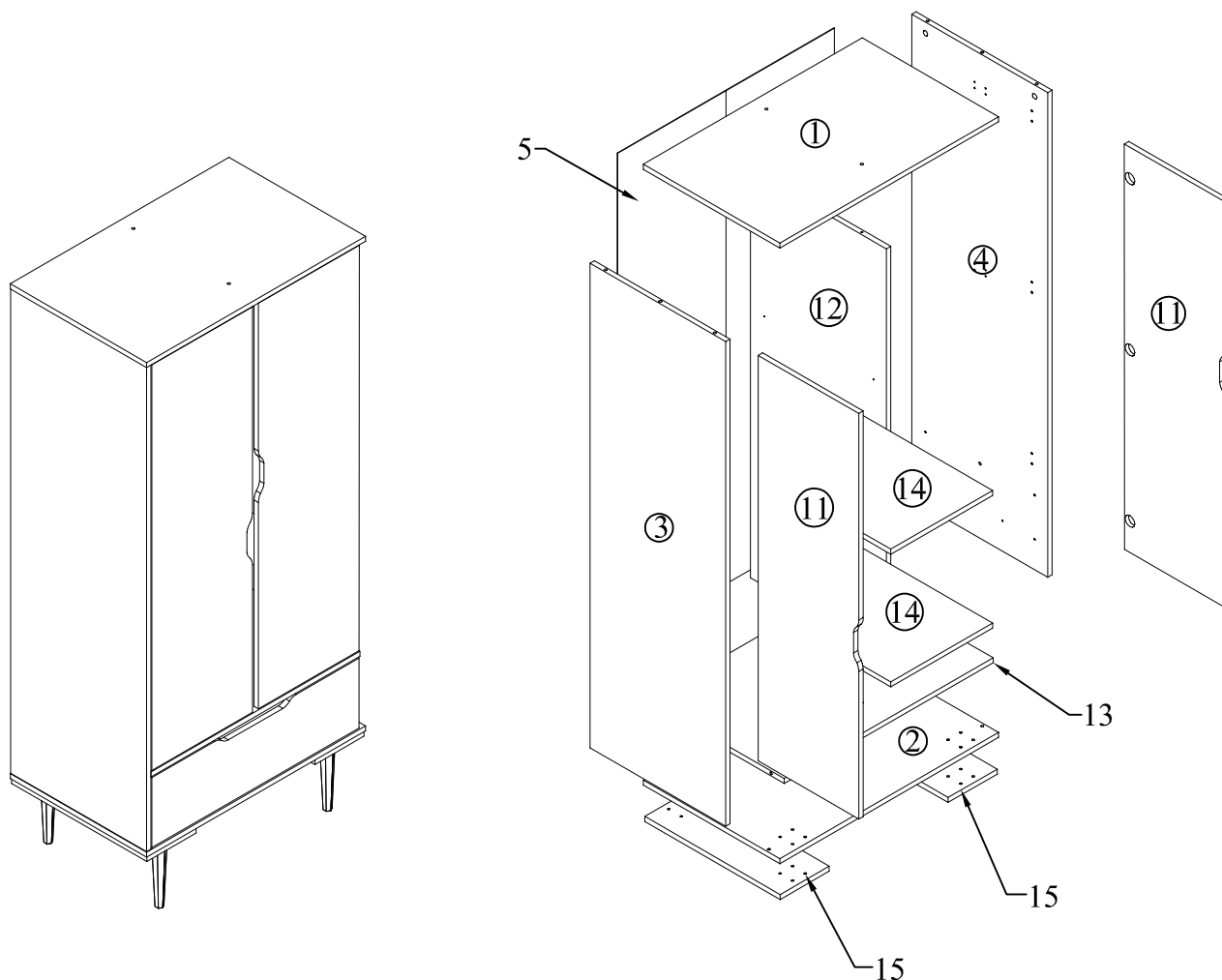


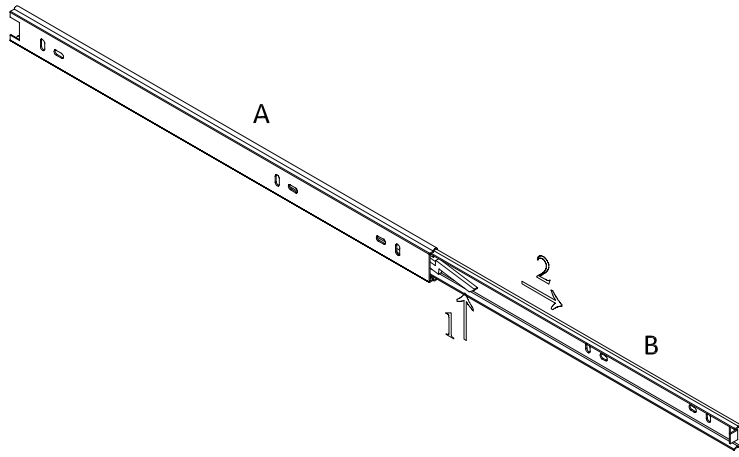
# SOFIE



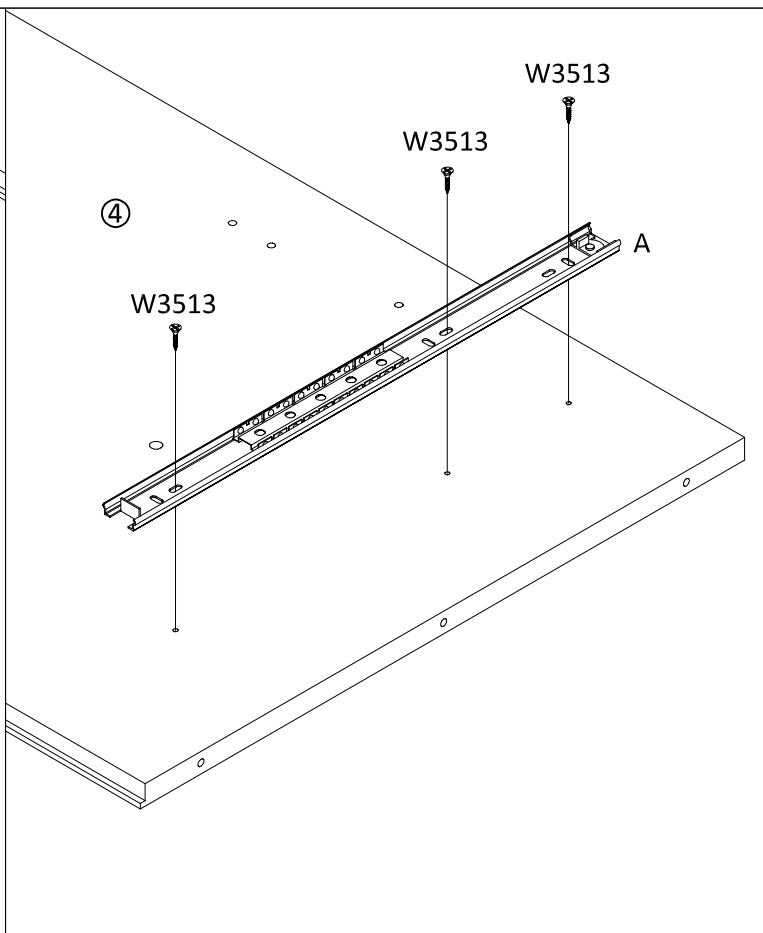
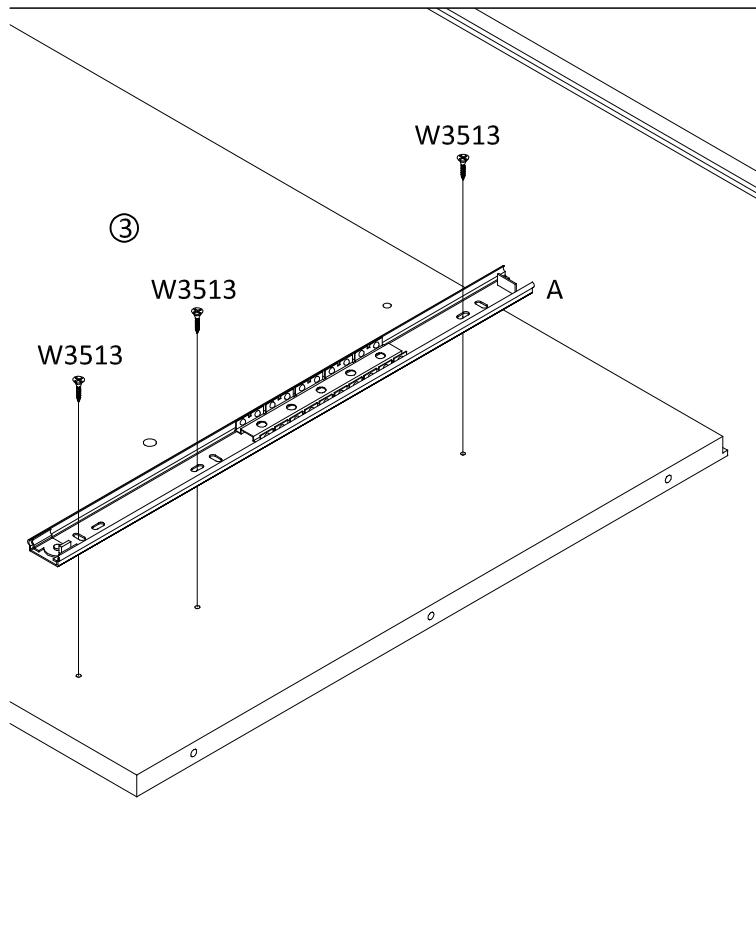
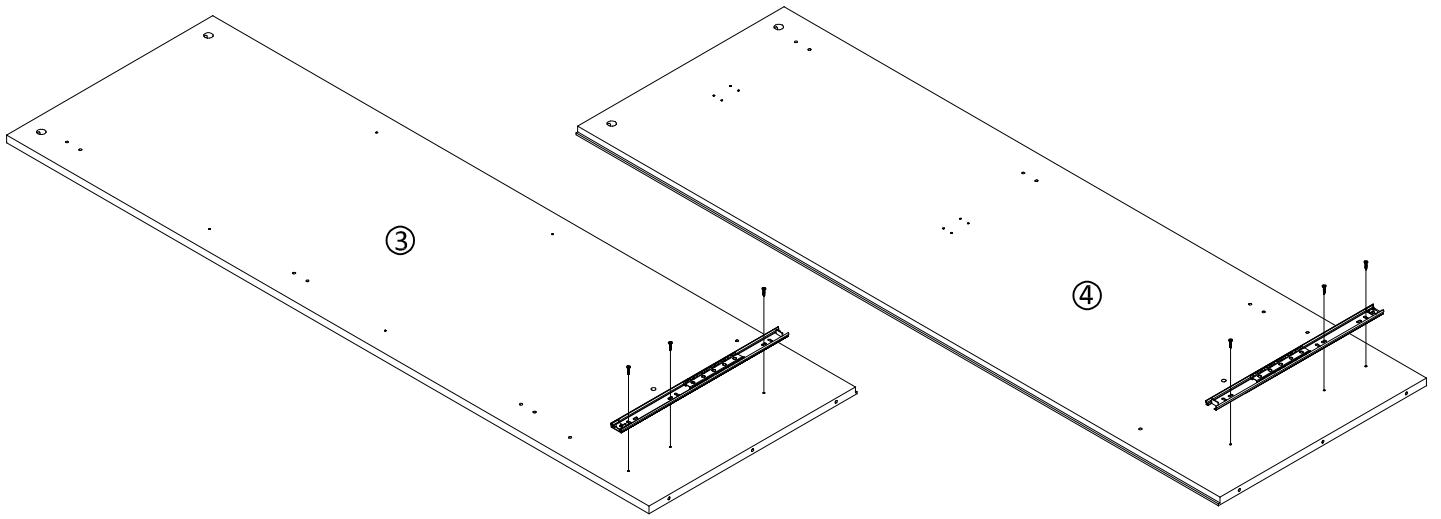
 7x50 WK5 x14	 MT x12	 M x12	 8x30 D8 x4	 Z431 x16	 S416 x16	 A01 x1
 N10 x4	 NS1 x4	 A02 x50	 A04 x8	 2.5x25 A09/1 x4	 A09 x4	 A03 x2
 A06 x1	 A05 x1	 3.5x16 W3516 x13	 ZG x6	 D0 x4	 3.5x13 W3513 x28	 D1 x2
 PK x1						



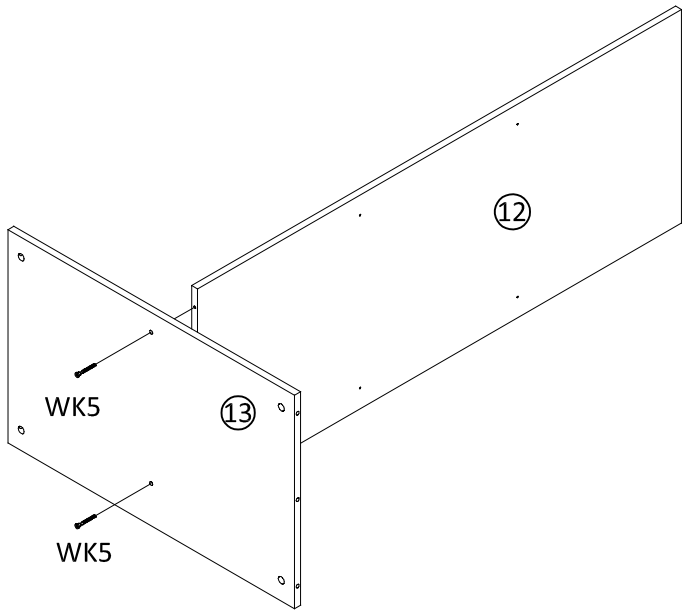
I



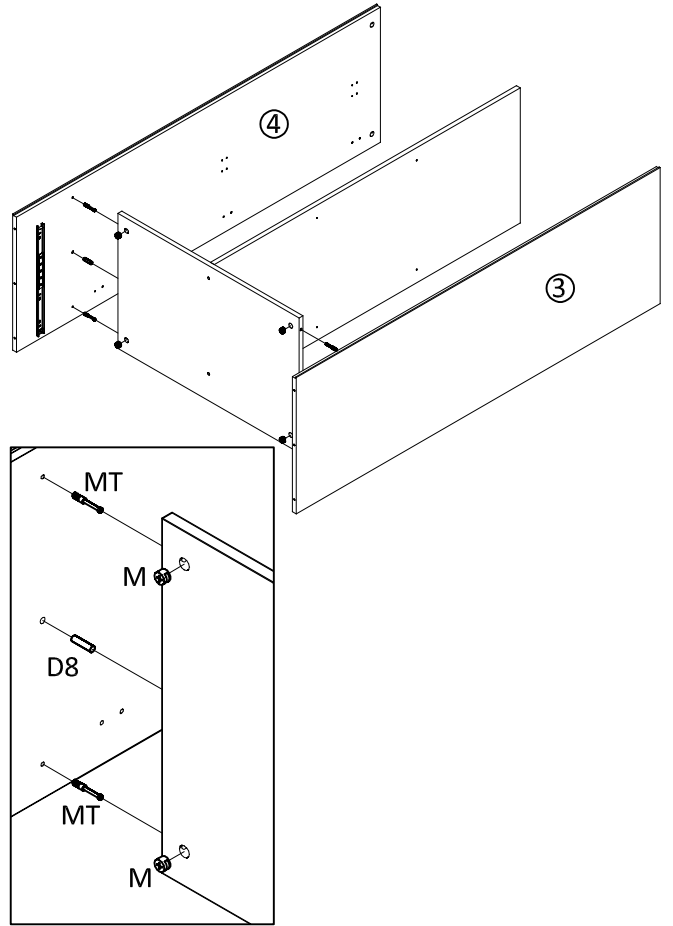
II



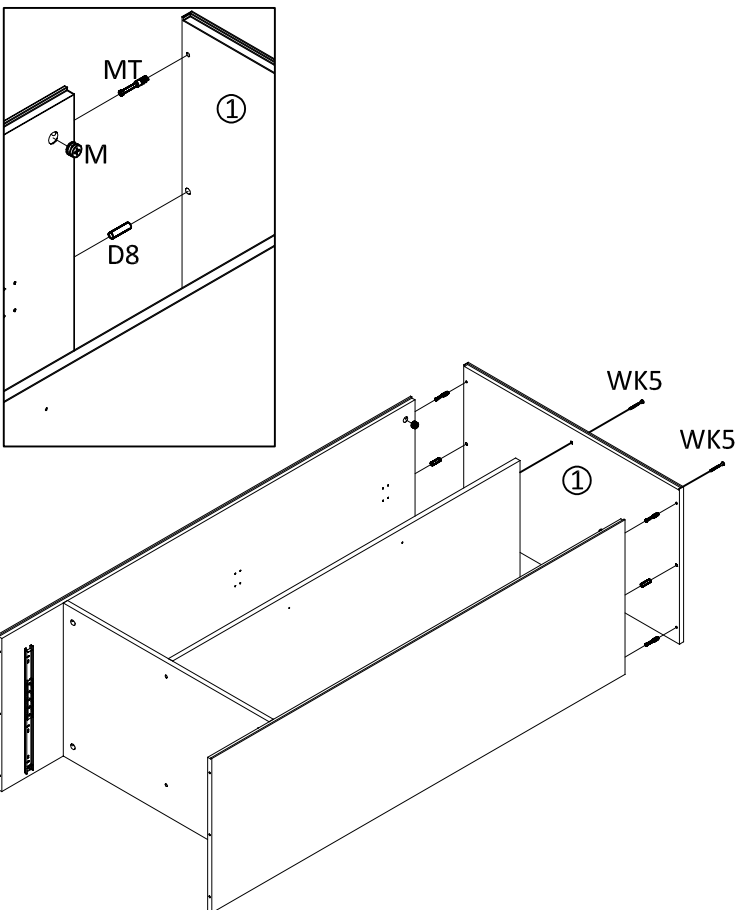
# III



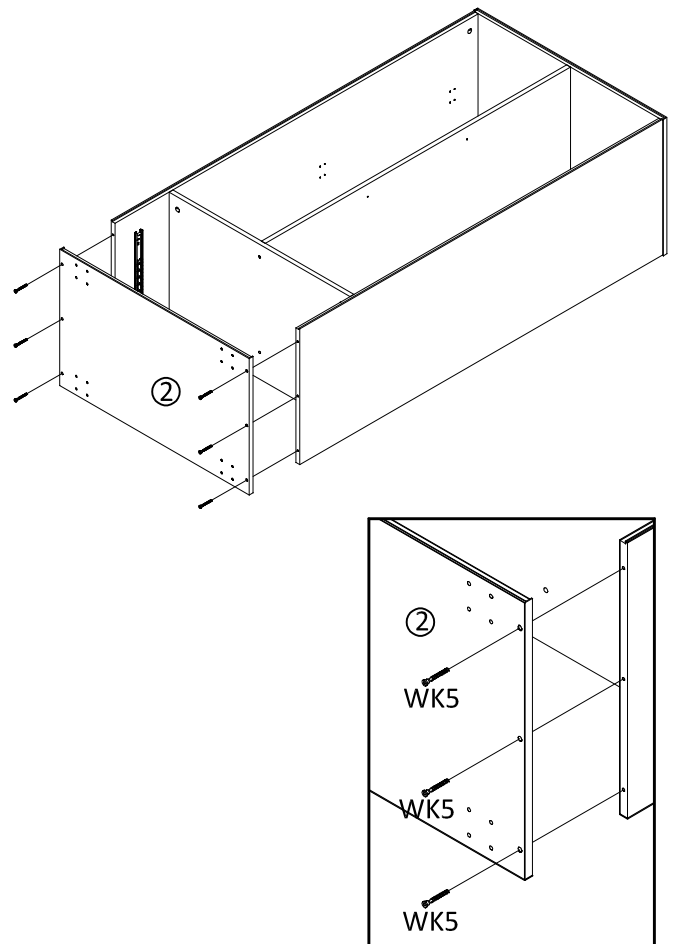
# IV



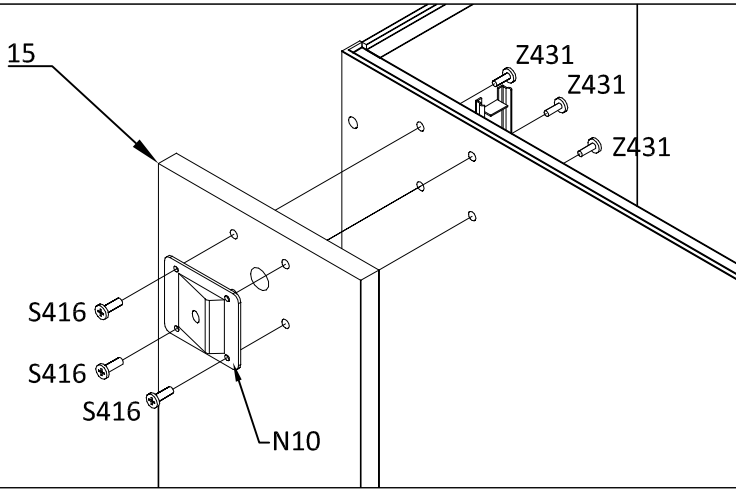
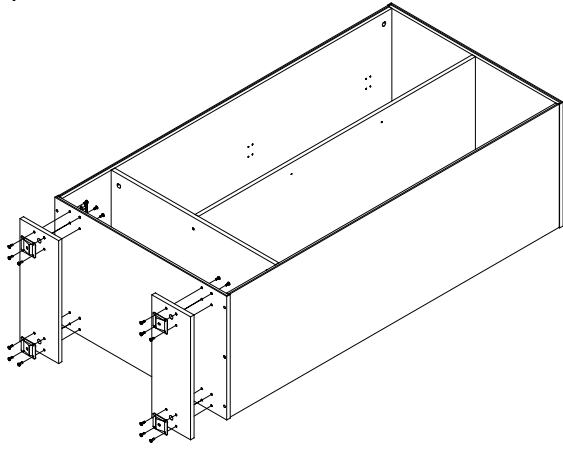
# V



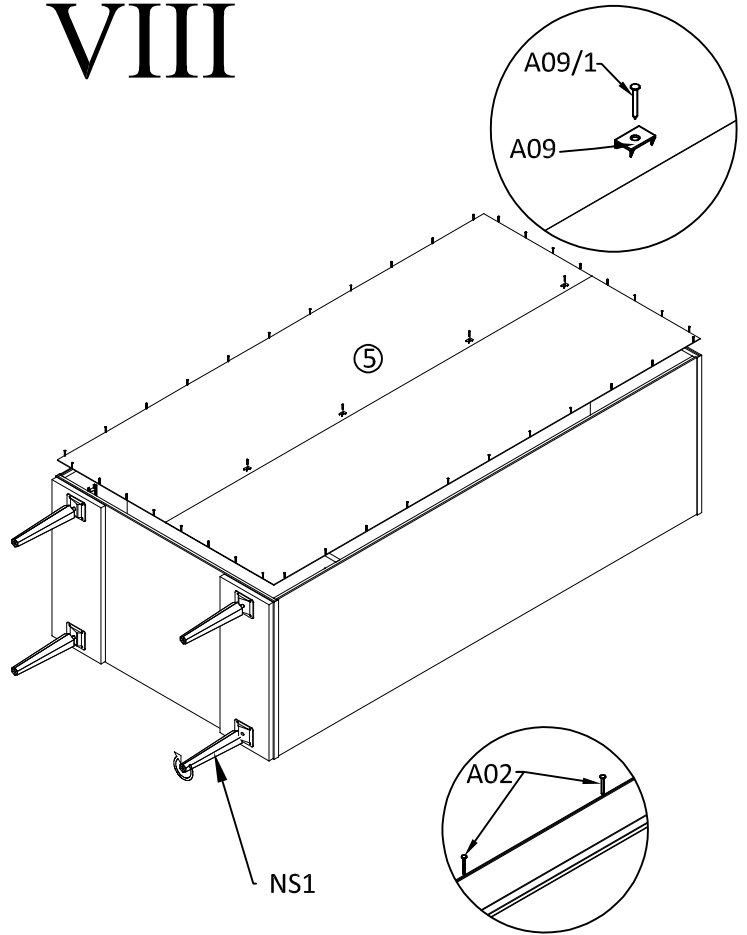
# VI



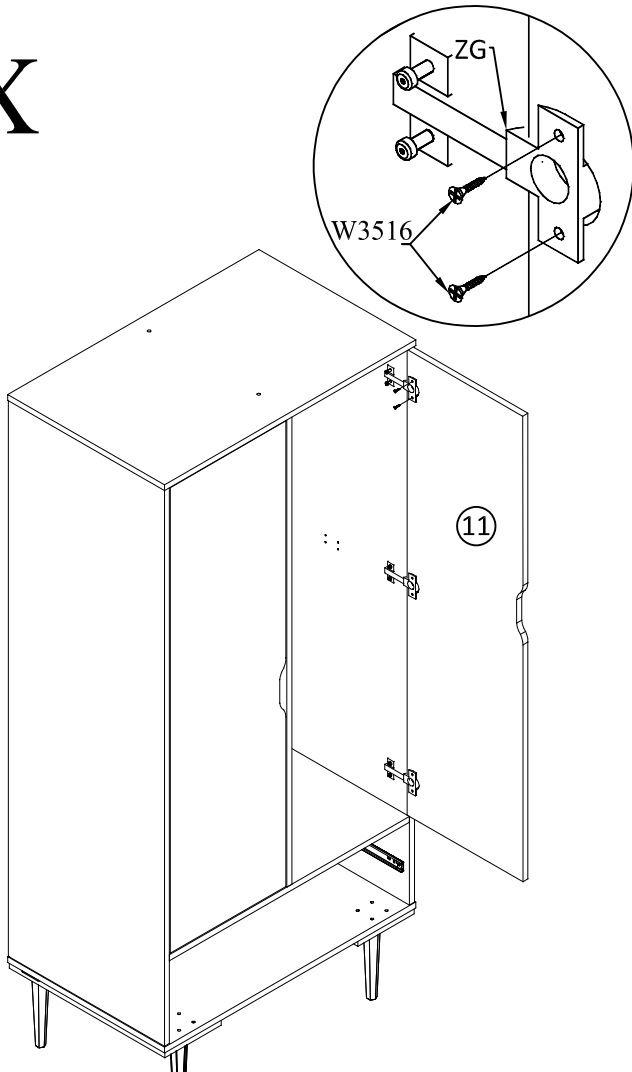
# VII



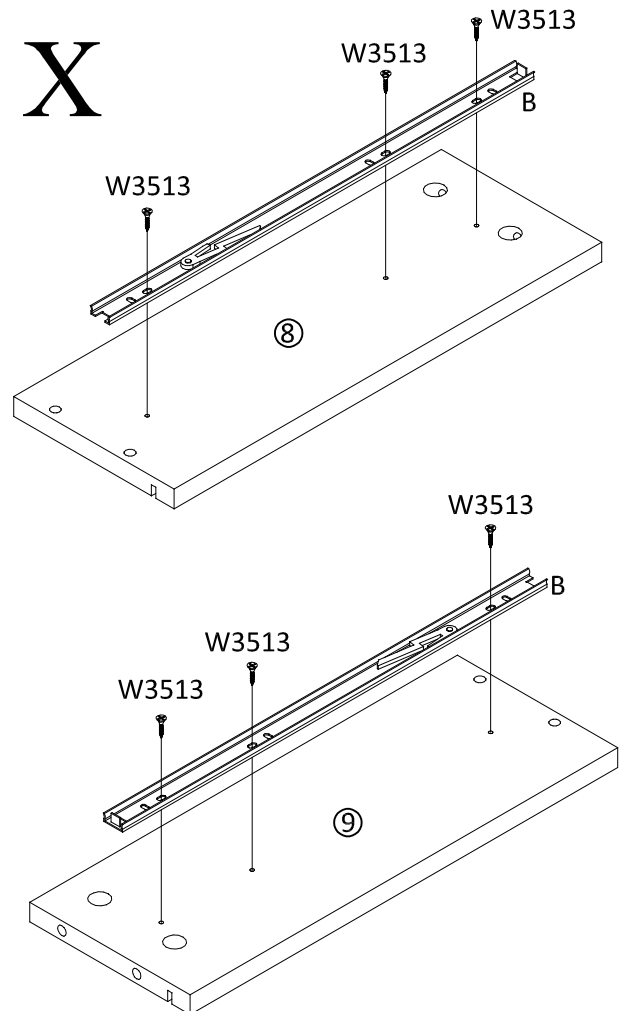
# VIII



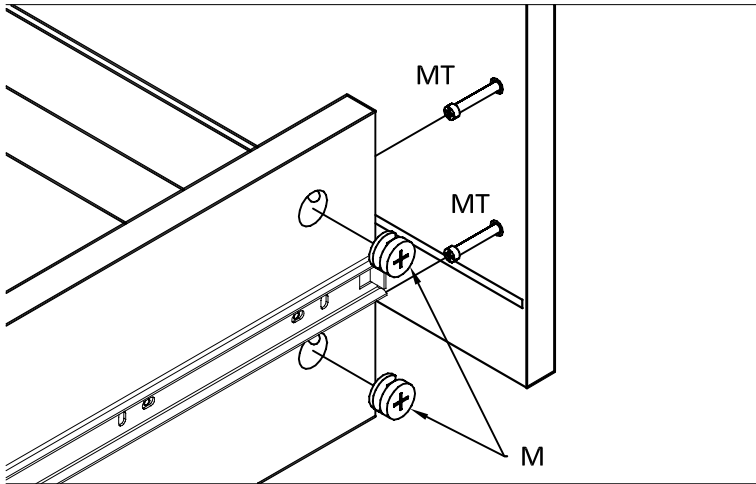
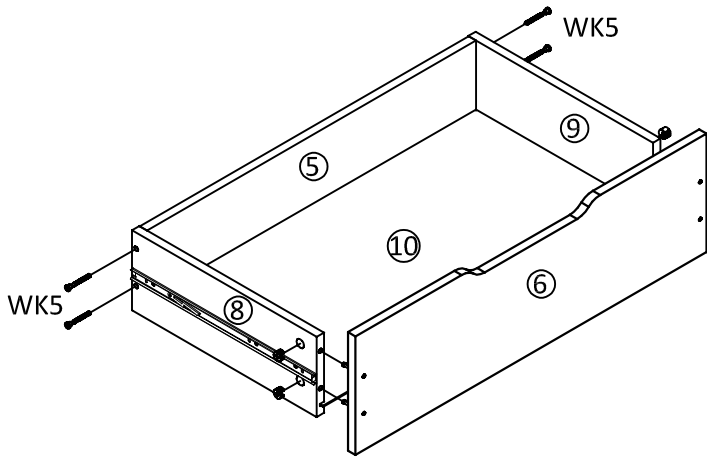
# IX



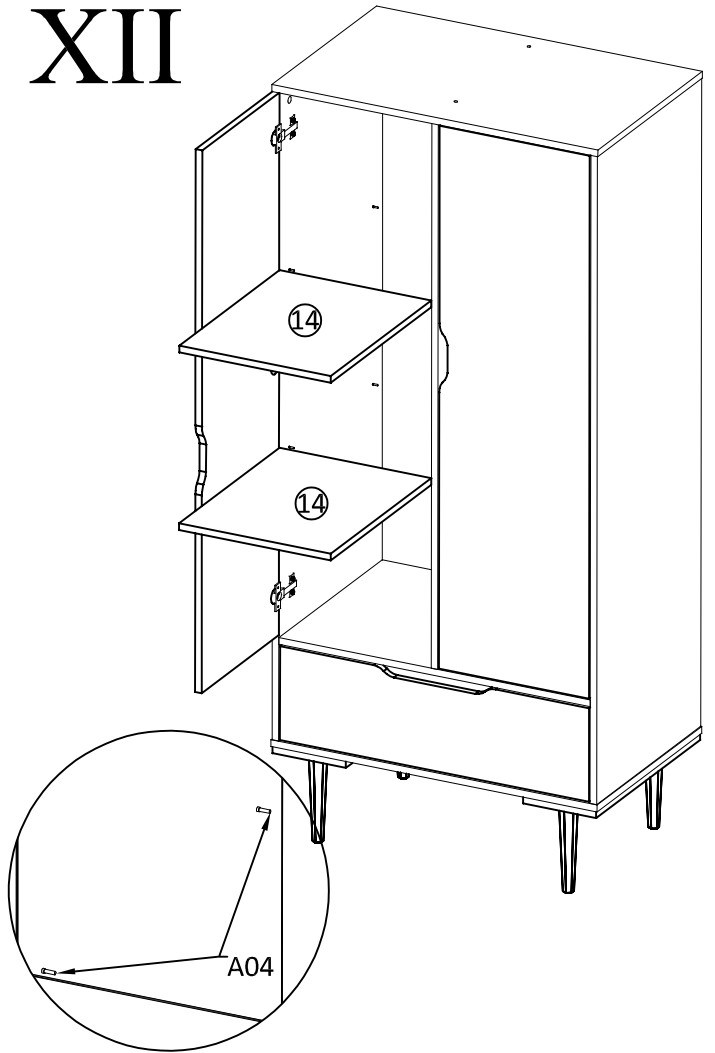
# X



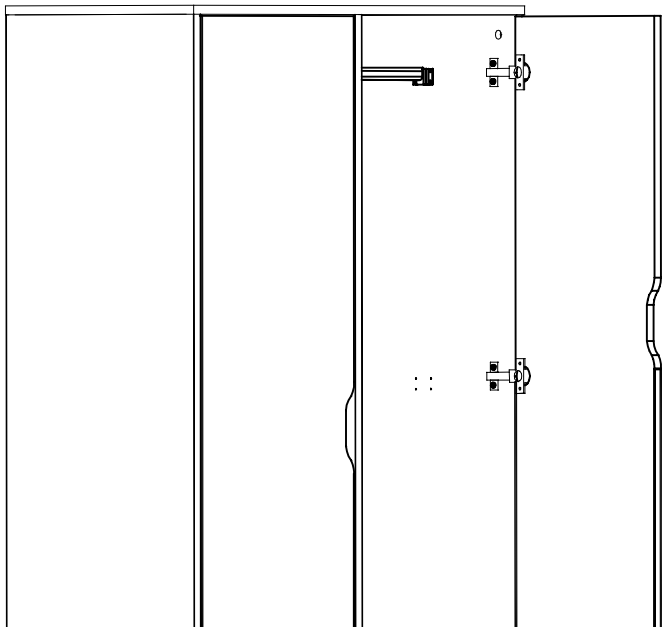
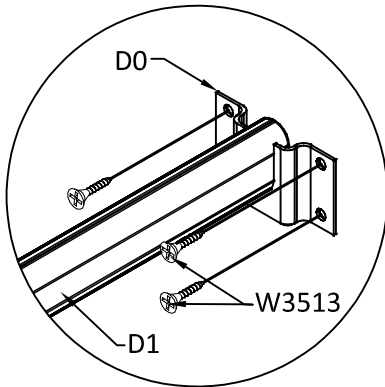
# XI



# XII



# XIII



# XIV

