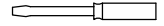
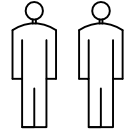
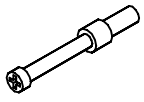
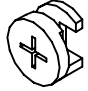
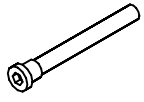
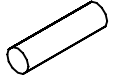
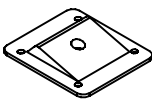
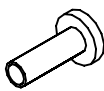
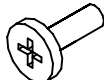

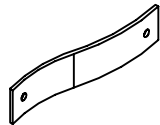



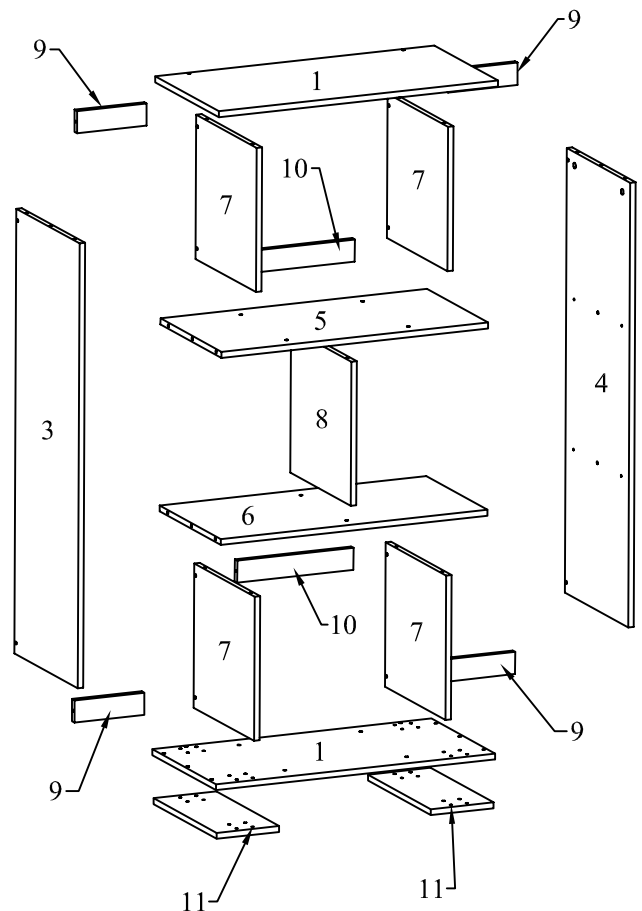
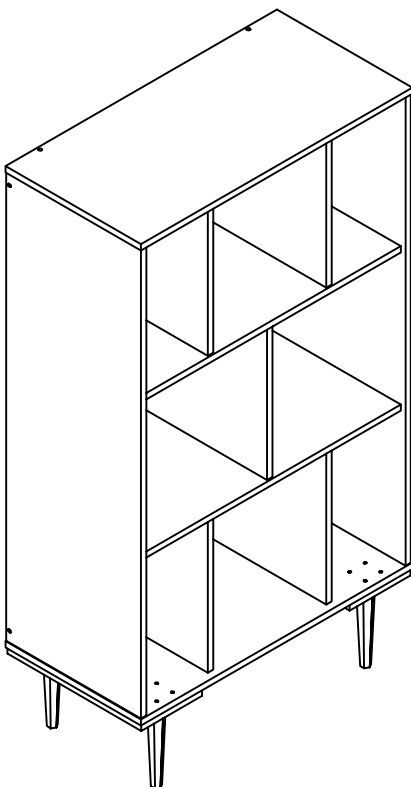


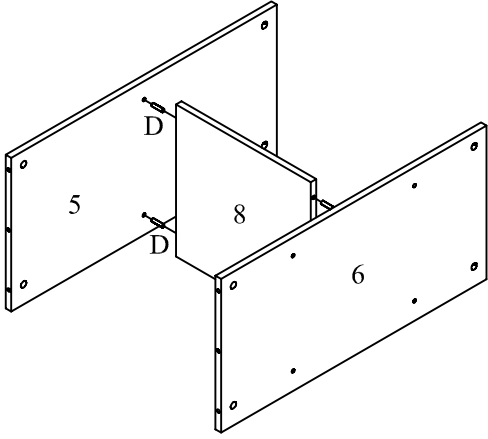
# SOFIE



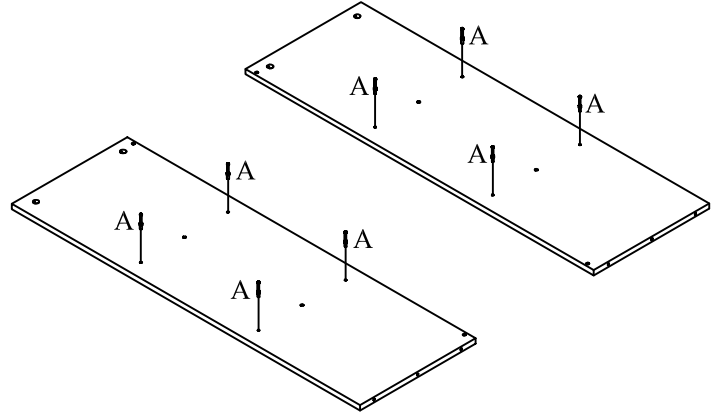
 A x12	 B x12	7 x 50  C x22	8 x 30  D x26
 E x4	 F x16	 G x16	 H x4
 I x1	 J x1	3.5 x 16  K x1	 L x1



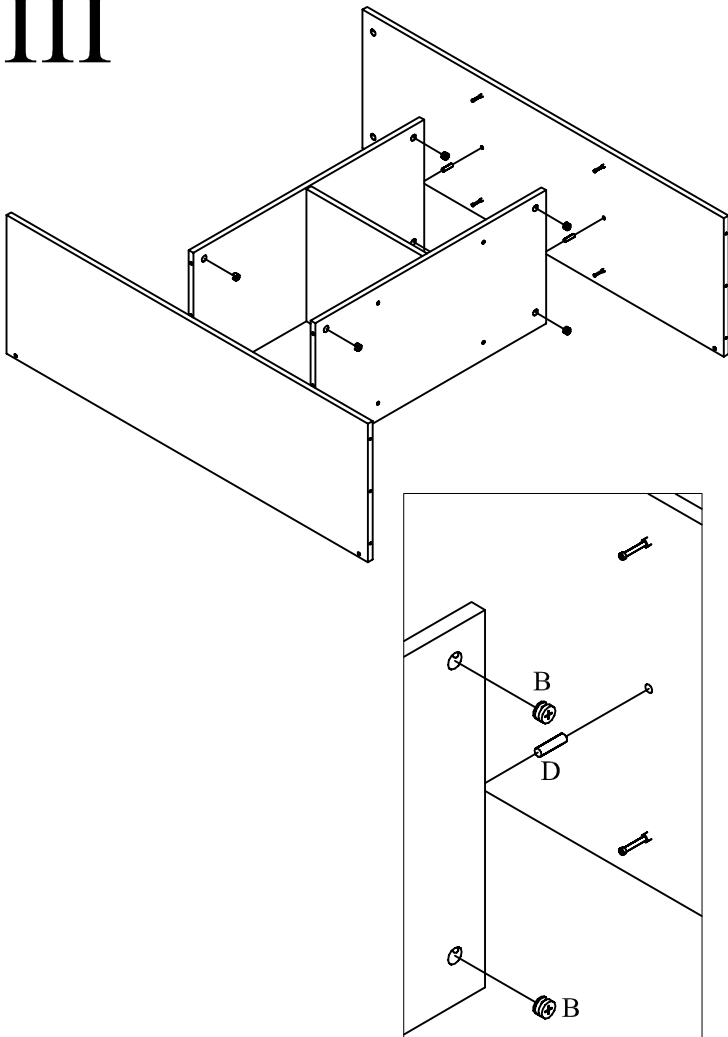
# I



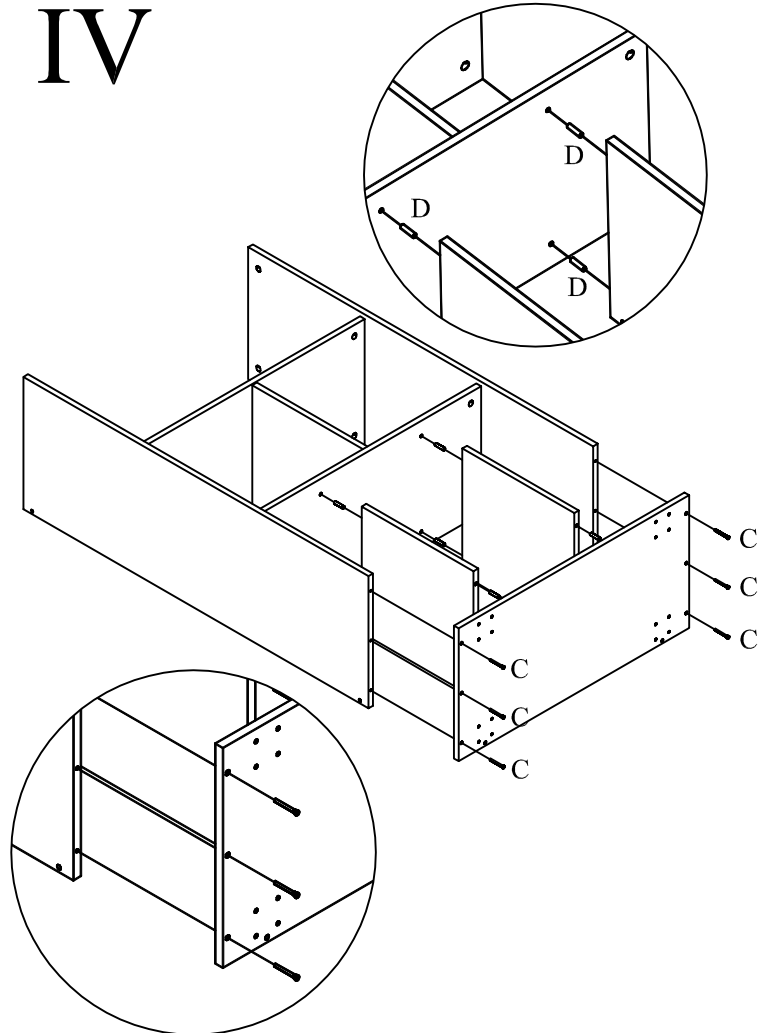
# II



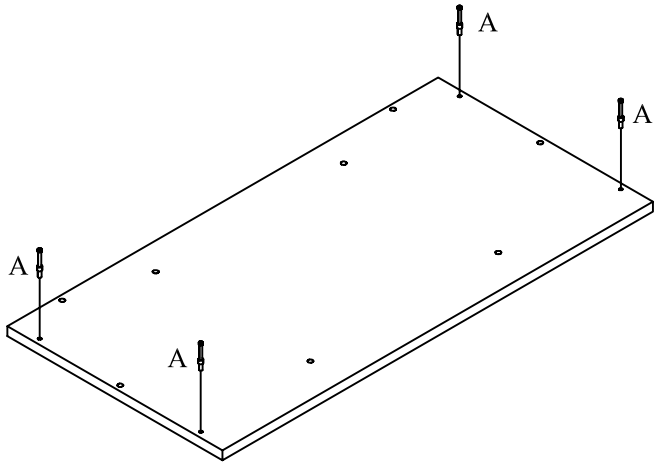
# III



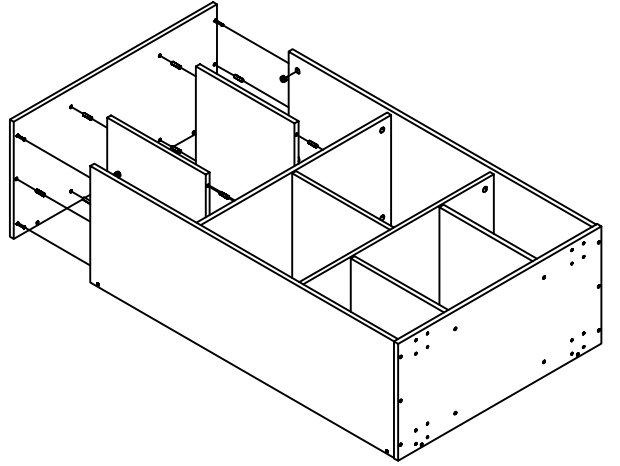
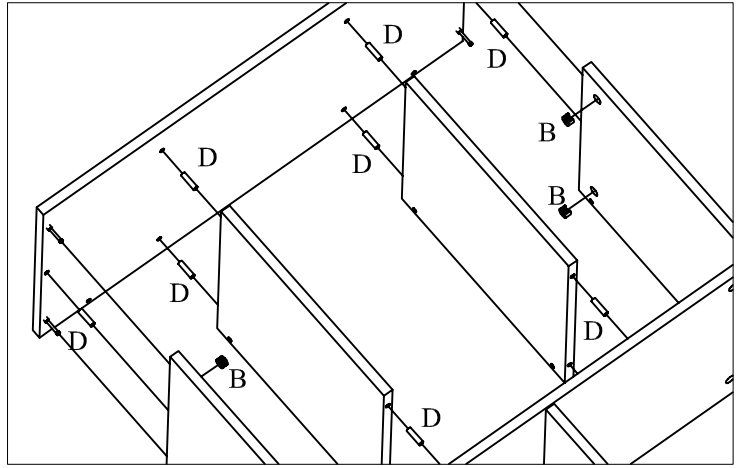
# IV



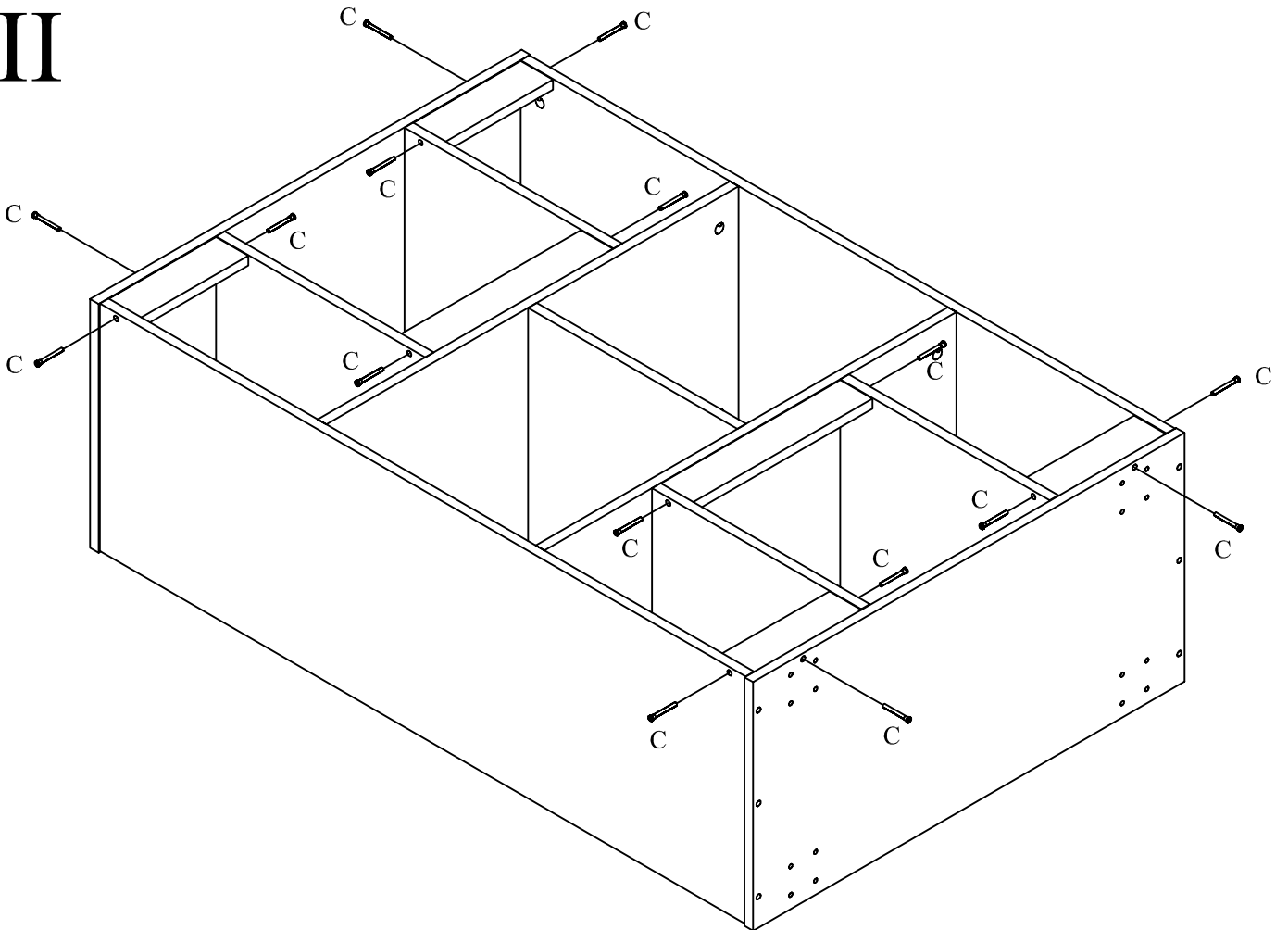
# V



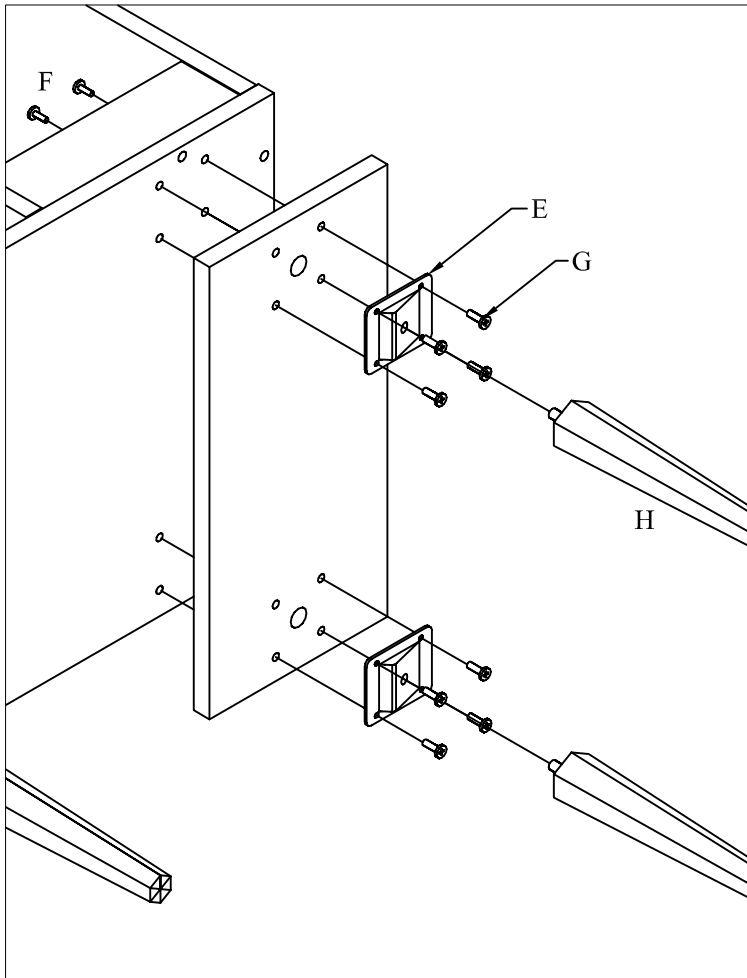
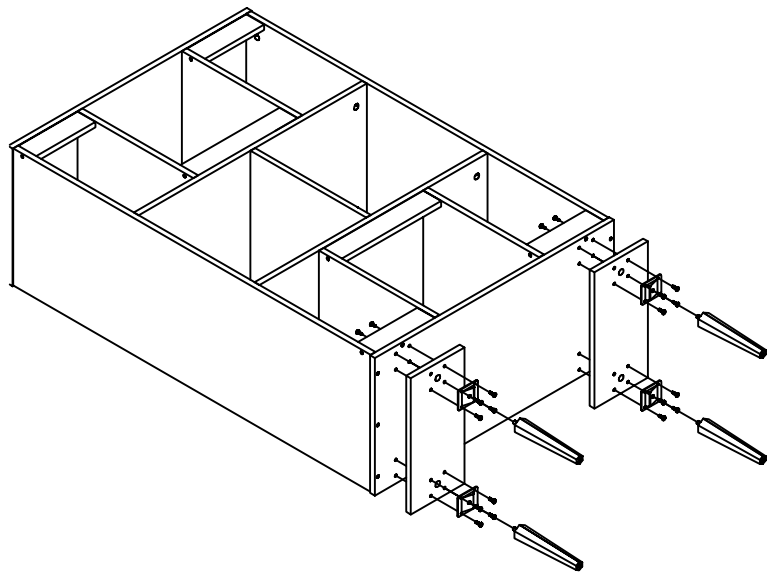
# VI



# VII



# VIII



# IX

