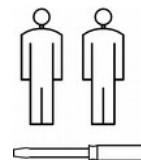


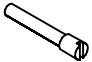

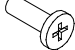
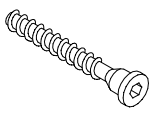



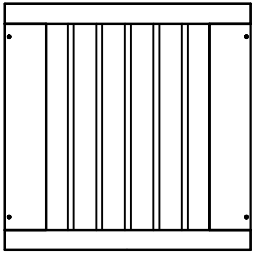


# SOFIE



 M6 x 95 S695	 NK	 M6 x 35 S635	 S416	 Z431
x8	x8	x4	x16	x16
 7 x 50 WK5	 NS1	 N10	 A01	
x6	x4	x4	x1	

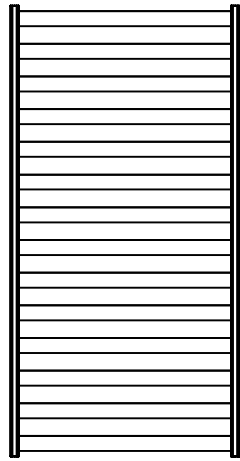




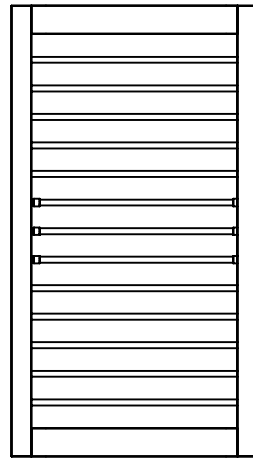
x2



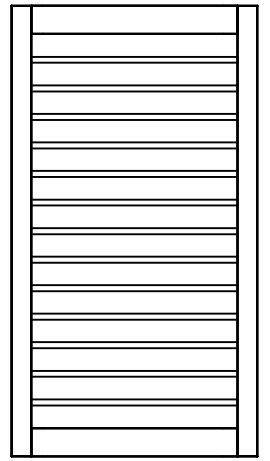
x2



x1

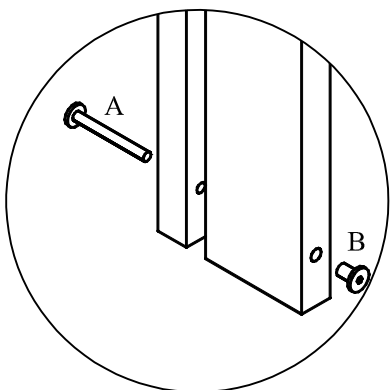
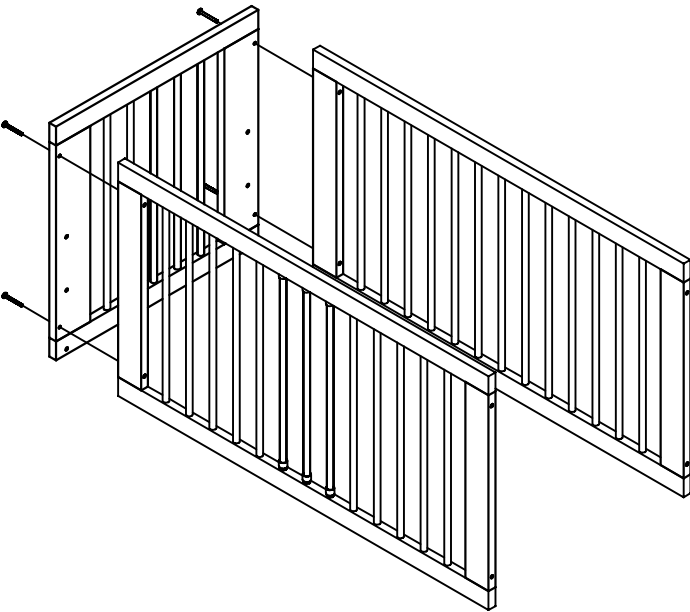


x1

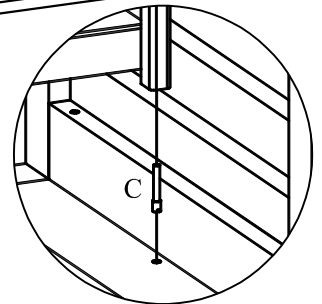
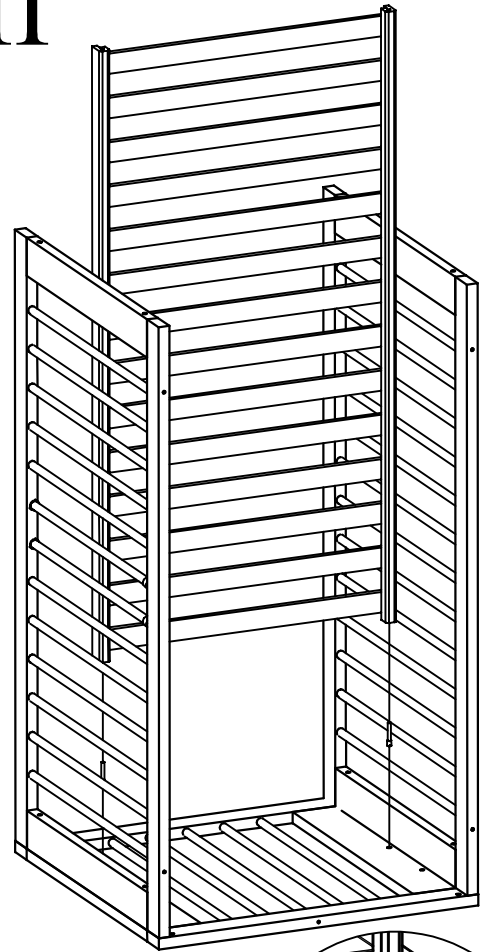


x1

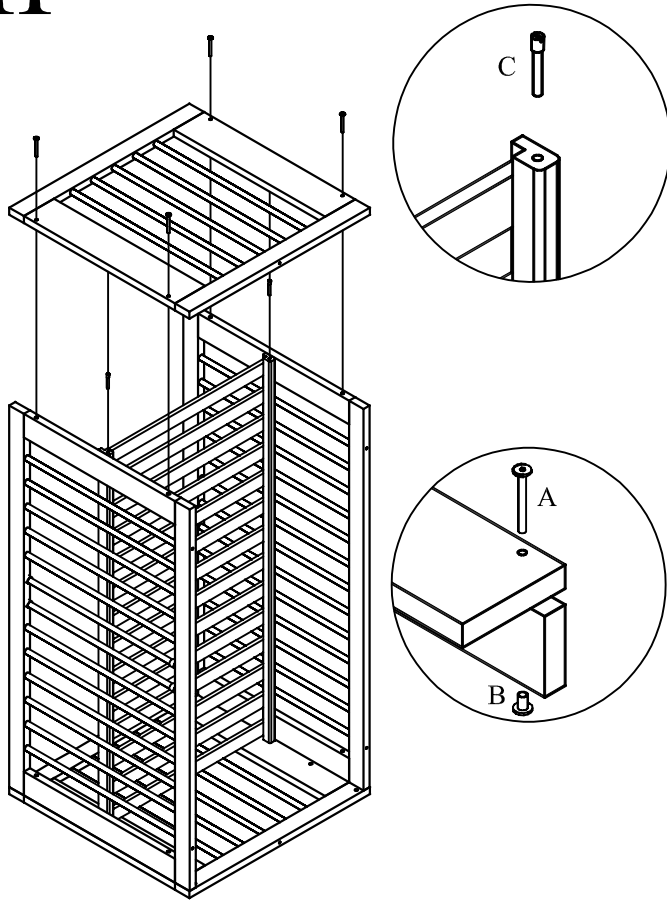
# I



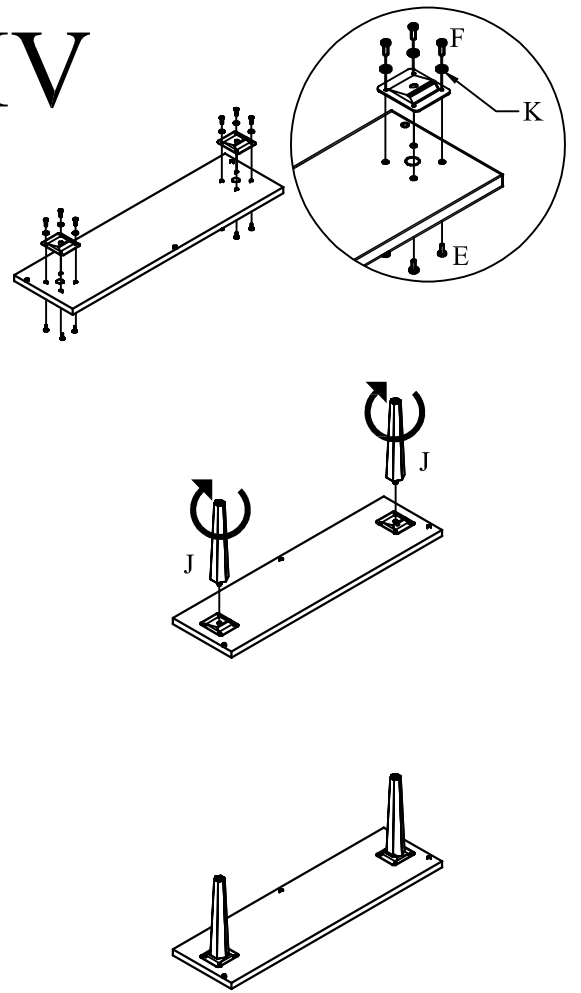
# II



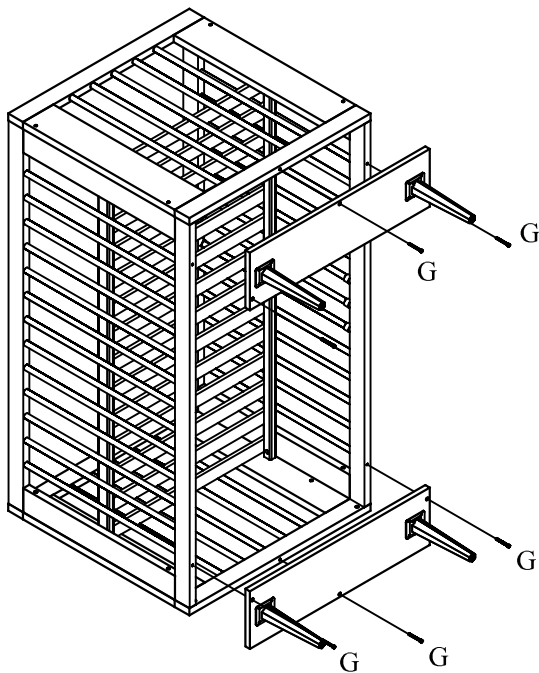
# III



# IV



# V



# VI

