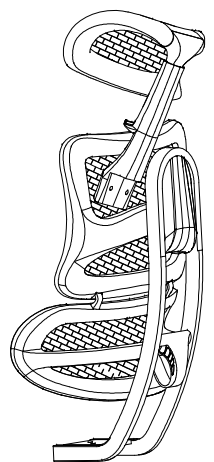


ERGOTECH

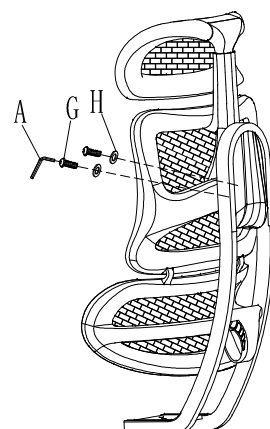
ERGOTECH - CM-B137A-4



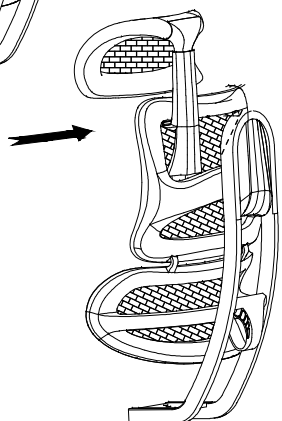
KROK 1



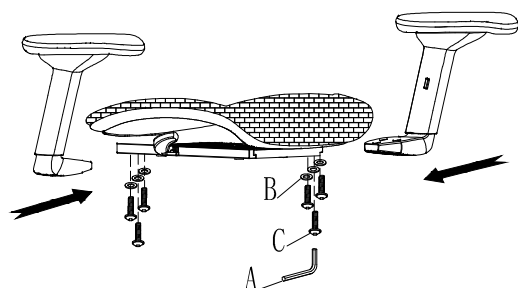
KROK 3



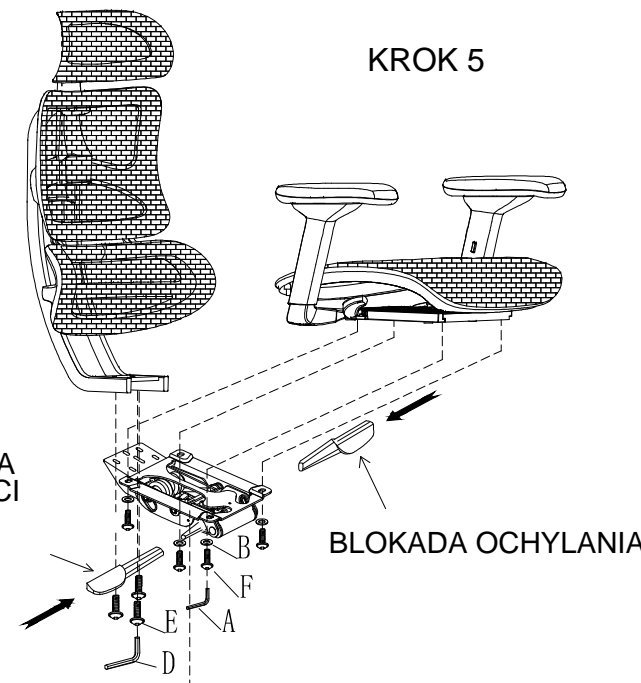
KROK 2



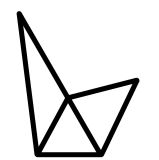
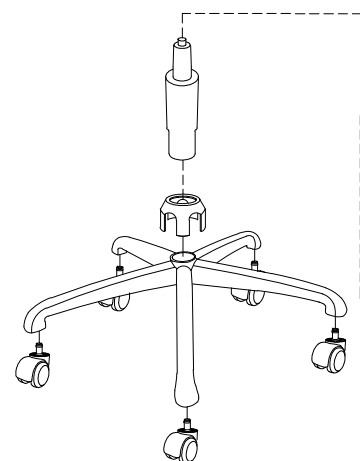
KROK 4



KROK 5



REGULACJA WYSOKO CI SIEDZISKA



UNIQUE
DESIGN FOR PEOPLE

| | A | B | C | D | E | F | G | H |
|-----|------|----------------------------|-------|------|-------|-------|-------|--------------------------------------|
| TYP | 5mm | $\varnothing 8 \times 1.2$ | M6x30 | 6mm | M8x20 | M6x20 | M6x16 | $\varnothing 6 \times 13 \times 1.0$ |
| ILO | 1 PC | 10 PCS | 6 PCS | 1 PC | 3 PCS | 4 PCS | 2 PCS | 2 PCS |