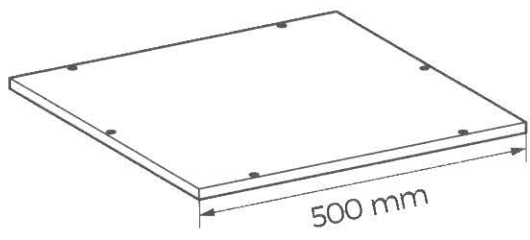
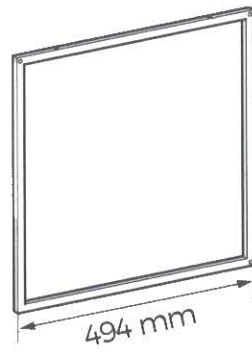


**MUF**  
— art —

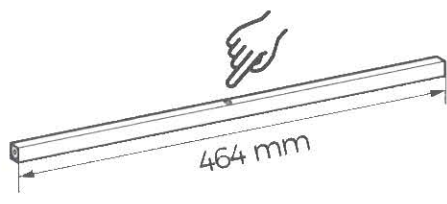
**A** × 1



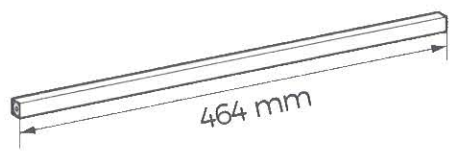
**B** × 2



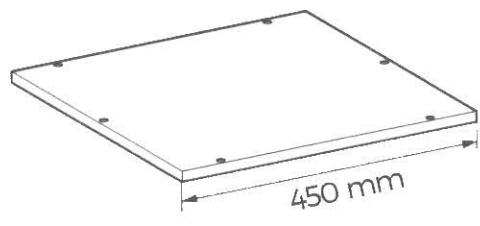
**C** × 2



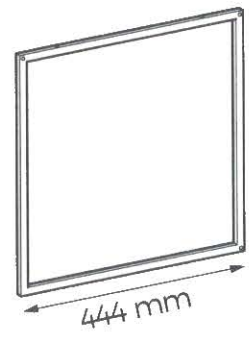
**D** × 1



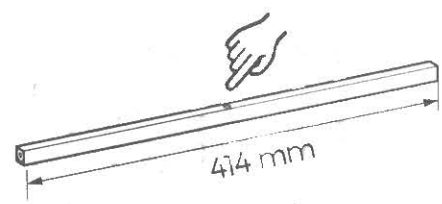
**E** × 1



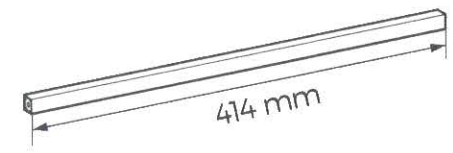
**F** × 2



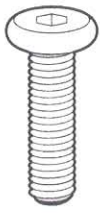
**G** × 2



**H** × 2

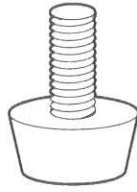


1 26+2

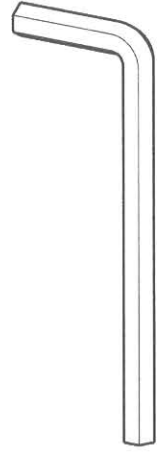


M6 x 25 mm

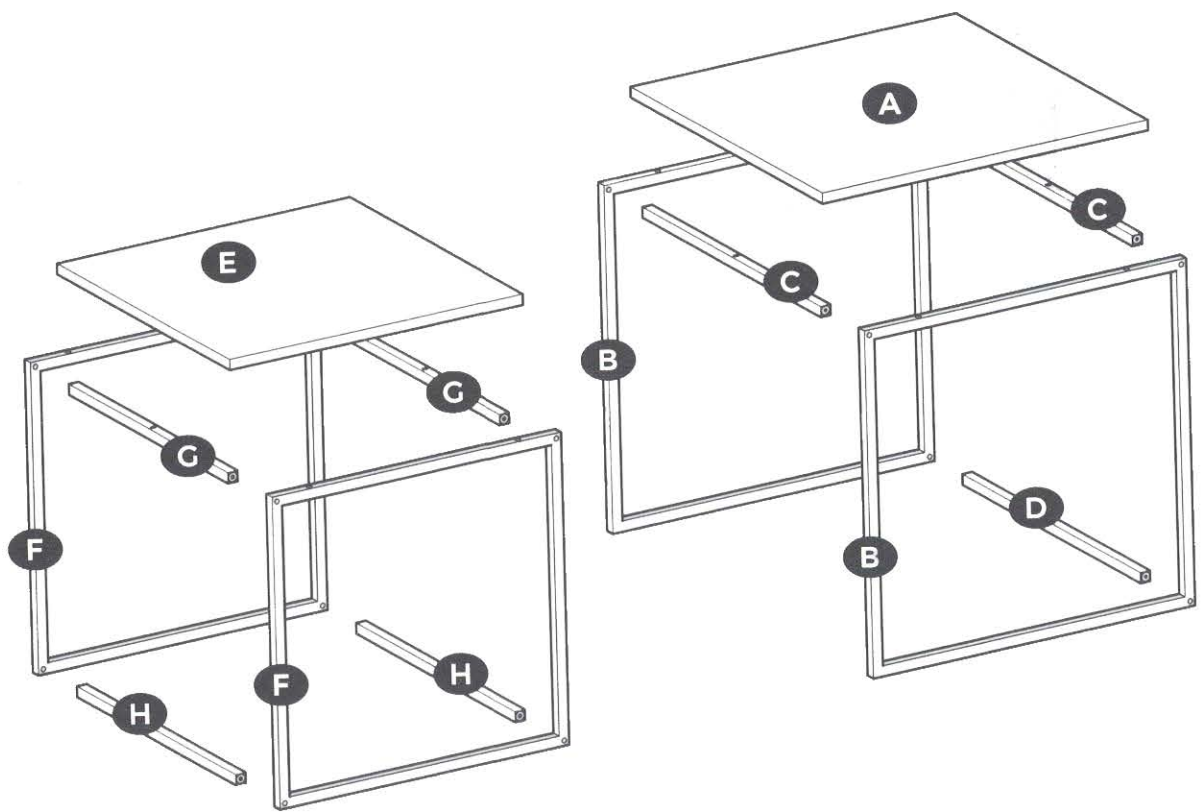
2 x 8



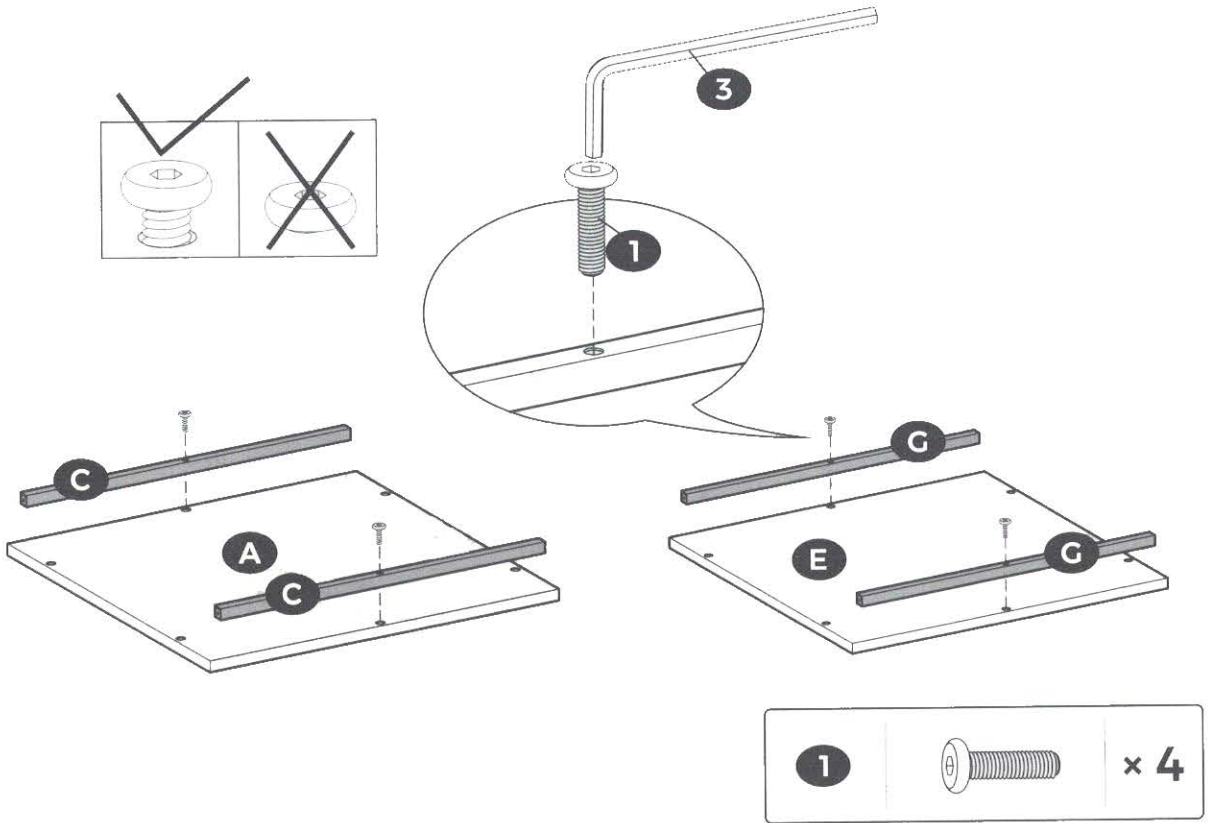
3 x 1



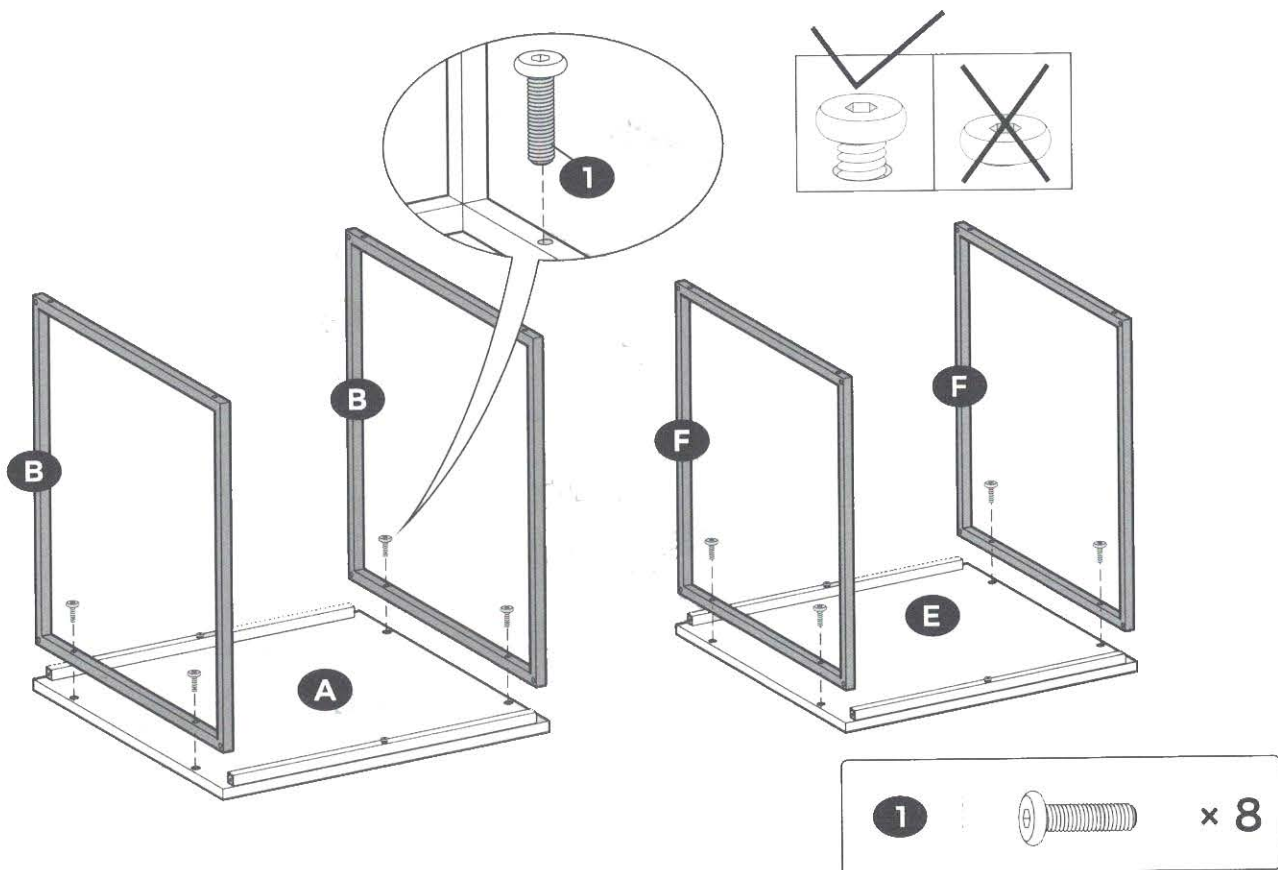
S4



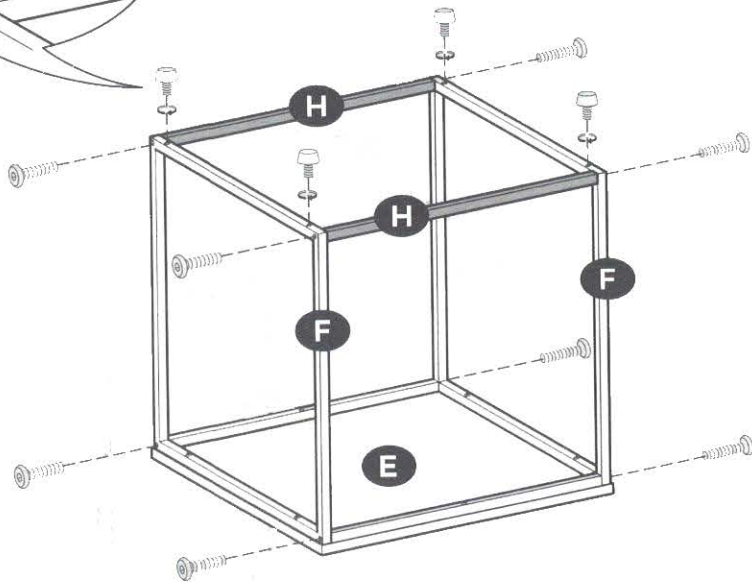
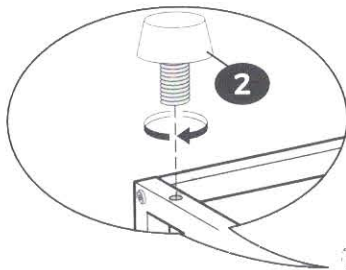
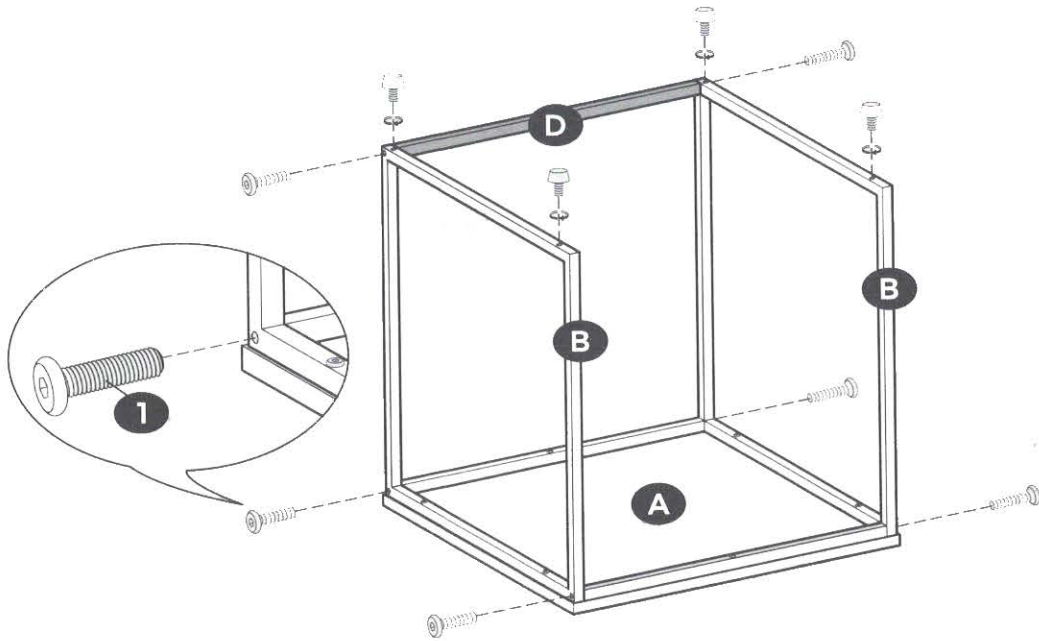
# 1

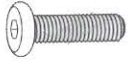



# 2



# 3



1		× 14
2		× 8

4

